

SRAM.



2022

SPARE PARTS CATALOG

SRAM. Avid TRUVATIV QUARQ

SRAM® ORIGINAL PARTS

Caution:

The SRAM Warranty policy does not cover damages caused by the use of non-SRAM parts.

Use only SRAM parts with SRAM components.

Installation of parts and accessories not originally intended could result in less than optimal performance and/or injury.

For in-depth service information on SRAM products, refer to our website at www.sram.com/ service. Contact your local SRAM distributor or dealer for ordering information.

Information contained in this publication is subject to change at any time without prior notice. Your product's appearance may vary from the diagrams contained in this catalog.

Copyright© 2020 SRAM LLC

Information may be enhanced
without prior notice.

Rev I, Released March, 2020

Material printed herein is intended for the use of SRAM distributors only. All information concerning price is confidential.

TABLE OF CONTENTS

REAR DERAILLEURS - ROAD

5	RED / FORCE ETAP AXS
6	RED ETAP
7	RED 22
8	RED 2013
9	RED (2008-2011)
10	FORCE 22 / RIVAL 22 (2014-)
11	FORCE 1 / CX1
12	RIVAL 1
13	APEX 1 / NX
14	FORCE / RIVAL / APEX (2007-2012)

FRONT DERAILLEURS - ROAD

15	RED / FORCE ETAP AXS
16	RED ETAP
17	RED 22 / RED 2013 / FORCE 22 / RIVAL 22

SHIFTERS / LEVERS - ROAD

18	RED / FORCE ETAP EB AXS
19	RED / FORCE ETAP ED AXS
20/21	HRD/HRR RED 22 B1 / FORCE 22/ CX1 / RIVAL 22 / 700 B1
22	RED ETAP
23	RED ETAP HRD
24	RED 22 / 2013
25	RED
26	RIVAL / APEX (2007-2012)
27	TIME TRIAL BRAKE LEVER
28	TIME TRIAL SHIFTER
29	S900 TT

DISC BRAKE CALIPERS - ROAD

30	RED / FORCE HRD ETAP AXS
31	RED ETAP HRD
32	RED 22 / FORCE 22/FORCE1/RIVAL 22 / 700 B1 / APEX 1
33	S900 HRD

RIM BRAKE CALIPERS - ROAD

34	RED 2013
35	RED / FORCE (2008-2011)
36	FORCE / RIVAL / APEX (2007-2012)
37	S900 DIRECT MOUNT RB

CRANK / CHAINRINGS ROAD

38/39	CHAINRINGS - ROAD
40	CHAINRING FORCE 1x / 2x POWERMETER AXS
41	CHAINRING FORCE 1x / 2x NON-POWER
42	CHAINRING RED 1x / 2x POWERMETER AXS
43	CHAINRING RED 1x / 2x NON-POWER
44	CRANK & CHAIN RING) BOLTS, SPIDER, GUARDS

45	CASSETTE, BOTTOM BRACKETS - ROAD
----	----------------------------------

REAR DERAILLEURS - MTB

46	XX1 EAGLE AXS
	X01 EAGLE AXS
47	XX1 EAGLE
	X01 EAGLE
48	GX EAGLE
49	NX EAGLE
50	SX EAGLE
51	XX1 / X01 / X01DH / X1 / EX1
52	X0 / X9 / X7 TYPE 2/2.1 (2013-PRESENT) 2X10
53	X0 / X9 / X7 / VIA GT (2011-2013) 2X10, 3X10
54	X0 (2006-2013)
55	X01 DH
56	GX DH
57	GX 2X10 TYPE 2.1
58	GX 2X11 TYPE 2.1
59	GX 1X11, GX DH 1X7 TYPE 2.1
60	X9 / X7 (2010) 3X9
61	X9 (2007-2009) 3X9
62	X9 / X7 DUALDRIVE 27 (2005-2006) 3X9
63	X7 (2007-2009) 3X9
64	X9 / X7 (2004-2009) 3X9
65	X5 / X4 (2008-2009) X5 / 2012 SX4, SX3, DUALDRIVE

TRIGGER SHIFTERS - MTB

66	XX1 / X01 EAGLE AXS
67	XX1 EAGLE
68	X01 EAGLE
69	GX EAGLE
69	NX EAGLE
70	SX EAGLE
71	XX1 / X01 / X01DH 1X11, EX1
72	X0 3X9 (2006-2012)
73	X01 HD / GX DH
74	X9 / X7 / X5 / ViaGT 2x10, 3x10 (2011-2012)
75	X9 / X7 3X9 (2007-2012)

TWIST SHIFTERS - MTB

76	XX1 EAGLE
76	XX1 / XX / X0 / X01
77	X0 / X9 / X7 / Rocket / Attack 3x9 (2005-2011)

CRANK / CHAINRINGS MTB

78	CRANK LEFT ARMS / CRANK (CHAIN RING) BOLTS
79	SPIDER / BOTTOM BRACKET / CASSETTE
80-81	CHAINRINGS MTB NON-EAGLE
82-83	CHAINRINGS MTB EAGLE

84	QUARQ TYREWIZ
----	---------------

TABLE OF CONTENTS

HUBS

85	406 - MTB HUB
86	506 - MTB HUB
87	716/746 - MTB HUB
88	X7 - MTB HUB
89	X9 - MTB HUB
90	900 - MTB HUB
91	CONVERSION CAPS / AXLE AND QR / GREASE AND TOOLS
92	X0 - MTB HUB (2015-2018) A1
93	PREDICTIVE STEERING - MTB HUB

MTB WHEELS

94	RISE 60, B1 (2015-2018) CONVERSION CAPS / AXLE AND QR / GREASE AND TOOLS
96	RISE 40/60, A1 (2012-2014) CONVERSION CAPS / AXLE AND QR / GREASE AND TOOLS
98	RISE XX A1 (2015-2017) AXLE AND QR / GREASE AND TOOLS
100	ROAM 30/40 (2015-2017) A1 CONVERSION CAPS / AXLE AND QR / GREASE AND TOOLS
102	ROAM 50, B1 (2017/2018) CONVERSION CAPS / AXLE AND QR / GREASE AND TOOLS
104	ROAM 60 27.5/29" B1 (2017-2018) CONVERSION CAPS / AXLE AND QR / GREASE AND TOOLS
106	ROAM 50/60 (2014-2016) A1 BEARINGS ROAM 50/60 / AXLE AND QR / GREASE AND TOOLS
108	RAIL 40 (2015-2016) A1 CONVERSION CAPS / AXLE AND QR / GREASE AND TOOLS
110	RAIL 50 (2014-2016) A1 BEARINGS RAIL 50 / AXLE AND QR / GREASE AND TOOLS

112/113 MAXLES

LEVERS

114	DB1
115	DB3
116	DB5
117	LEVEL A1
118	LEVEL T A1
119	LEVEL TL A1
120	LEVEL TLM A1
121	LEVEL TLM B1
122	LEVEL ULTIMATE A1
123	LEVEL ULTIMATE B1
124	GUIDE R A1-B1
125	GUIDE RE A1
126	GUIDE RS A1-B1
127	GUIDE RSC A1-B1
128	G2 R
129	G2 RS
130	G2 RSC A1
131	GUIDE ULTIMATE A1
132	G2 ULTIMATE A1
133	CODE R B1
134	CODE RSC A1
135/136	X0
137	XX WC

CALIPERS

138	DB1
139	DB3
140	DB5
141	LEVEL A1
142	LEVEL T A1
143	LEVEL TL A1
144	LEVEL TLM/ULTIMATE A1
145	LEVEL TLM/ULTIMATE B1
146	GUIDE R/RS/RSC A1
147	GUIDE R/RS/RSC S4 B1
148	G2 R/RS
149	GUIDE RE A1
150	G2 RSC A1
151	GUIDE ULTIMATE A1
152	G2 ULTIMATE A1
153	CODE R B1
154	CODE RSC A1
155	X0
156	XX / XX WC

157/158 AVID LEGACY BRAKE SPARES OVERVIEW

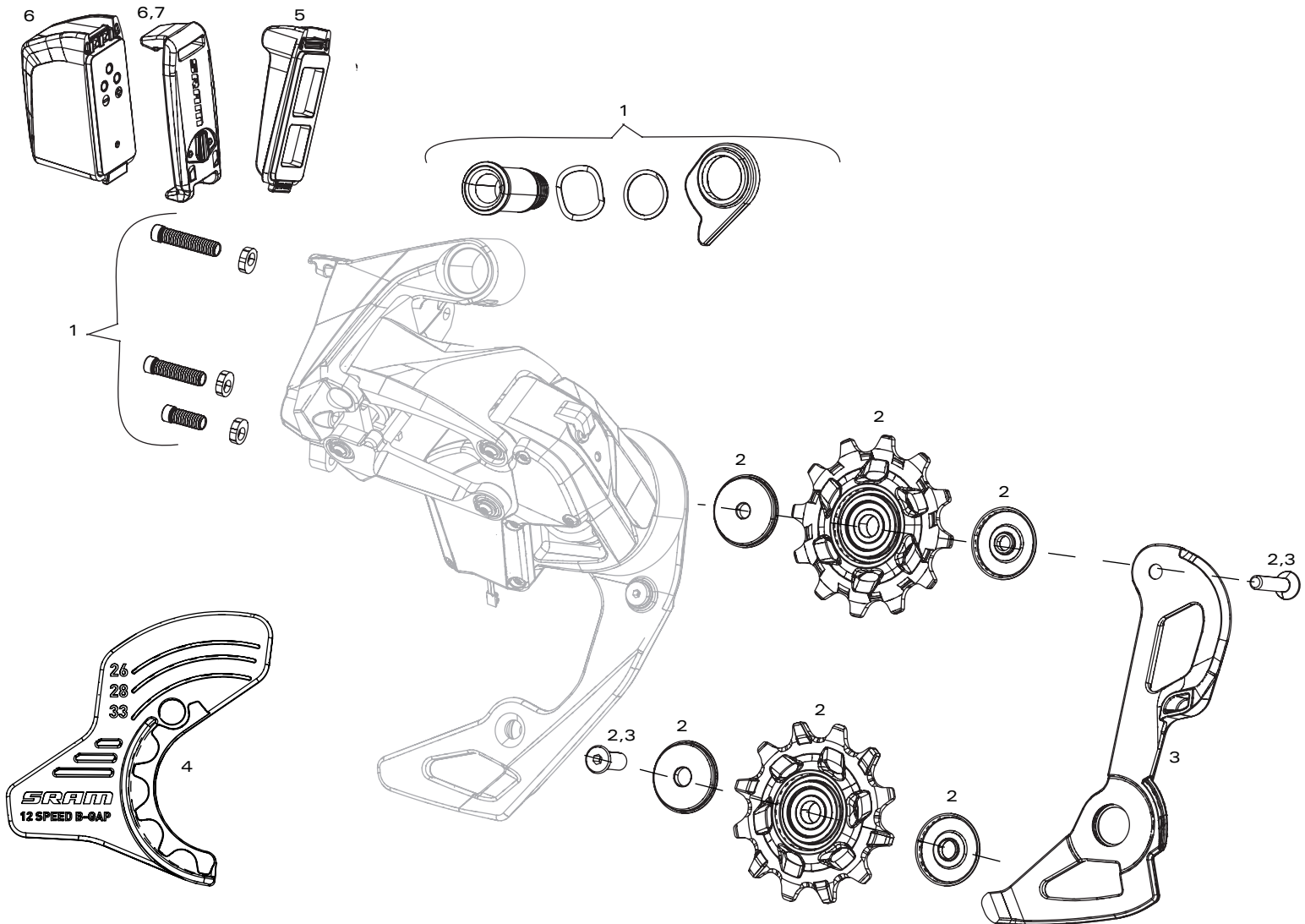
BRAKE PADS/ROTORS / MOUNTING BRACKETS / HARDWARE / TOOLS

159	BRAKE PADS DISC & RIM
160	ROTORS
161-163	MOUNTING BRACKETS & TOWERS / SPACERS
164	FLAT MOUNT ROAD
165	MATCHMAKER / HYDRAULIC LINES
166	BLEED KITS / TOOLS / BRAKE FLUID / GREASE
167	TACKLEBOX / BULK KITS



RED / FORCE ETAP AXS - REAR DERAILLEUR

RD-RED-E-D1 / RD-FORCE-E-D1



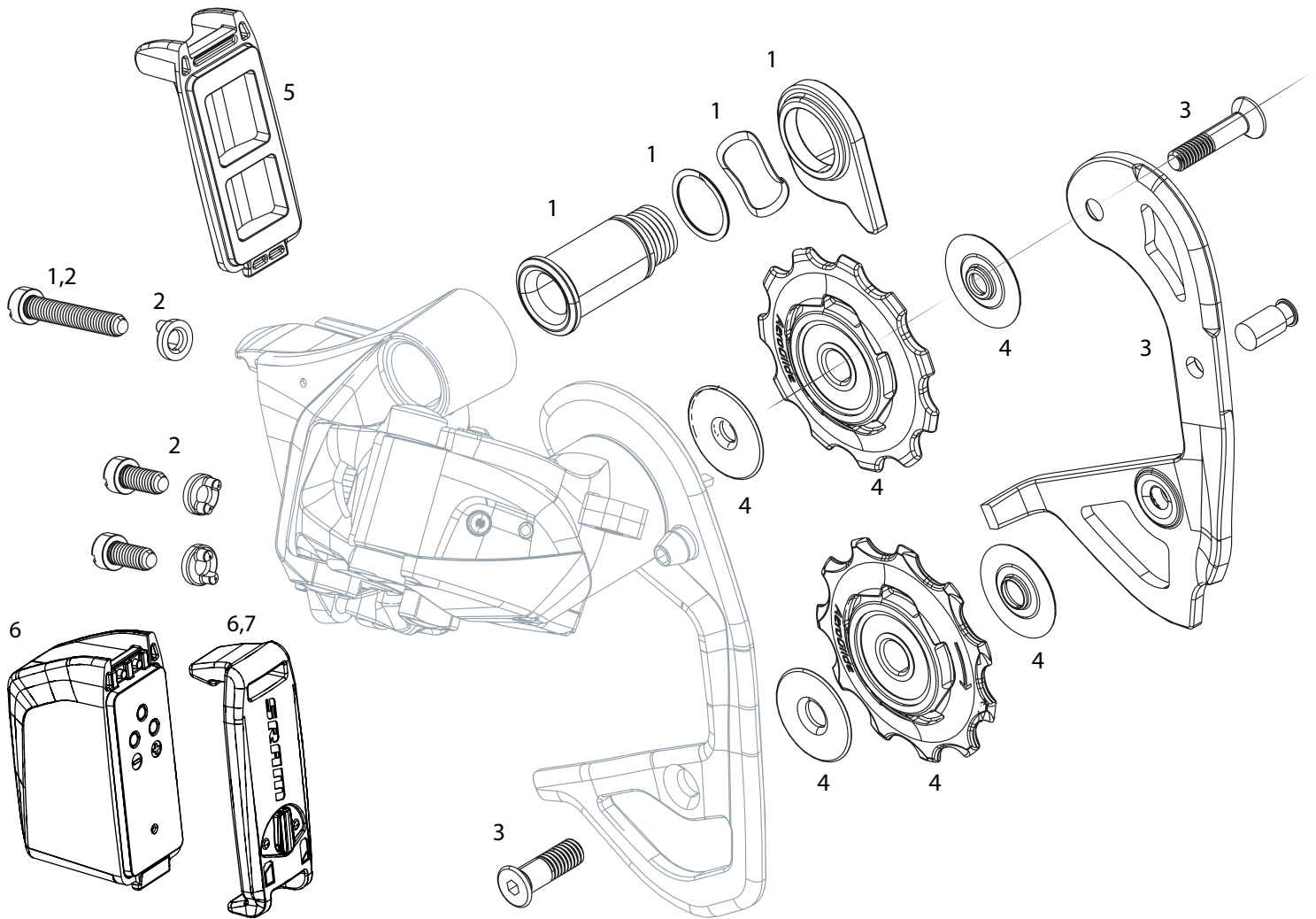
NO.	PART NUMBER	DESCRIPTION
1	11.7518.093.001	REAR DERAILLEUR B-BOLT / B-SCREW / ALUMINUM LIMIT SCREWS RED ETAP AXS
1	11.7518.093.002	REAR DERAILLEUR B-BOLT / B-SCREW / STEEL LIMIT SCREWS FORCE ETAP AXS
2	00.7518.127.000	REAR DERAILLEUR PULLEY KIT RED ETAP AXS CERAMIC 12 SPEED
2	11.7518.093.004	REAR DERAILLEUR PULLEY KIT FORCE ETAP AXS STEEL BEARING 12 SPEED
3	11.7518.093.005	REAR DERAILLEUR INNER CAGE CARBON RED ETAP AXS INCLUDING SCREWS
3	11.7518.093.006	REAR DERAILLEUR INNER CAGE FORCE ETAP AXS INCLUDING SCREWS
4	11.7518.093.000	REAR DERAILLEUR CHAINGAP ADJUSTMENT GAUGE RED/FORCE ETAP AXS
5	11.7618.008.000	BATTERY BLOCK FOR ETAP/AXS FRONT & REAR DERAILLEUR AND EAGLE AXS RD, REVERB AXS QTY 1
6	00.3018.102.000	SRAM ETAP/AXS BATTERY QTY 1
7	11.7618.006.000	ETAP BATTERY TERMINAL COVER FRONT/REAR DERAILLEUR/REVERB AXS QTY 1
ns	00.3018.117.000	SRAM ETAP BATTERY CHARGER AND CORD





RED ETAP - REAR DERAILLEUR

RD-RED-E-A1

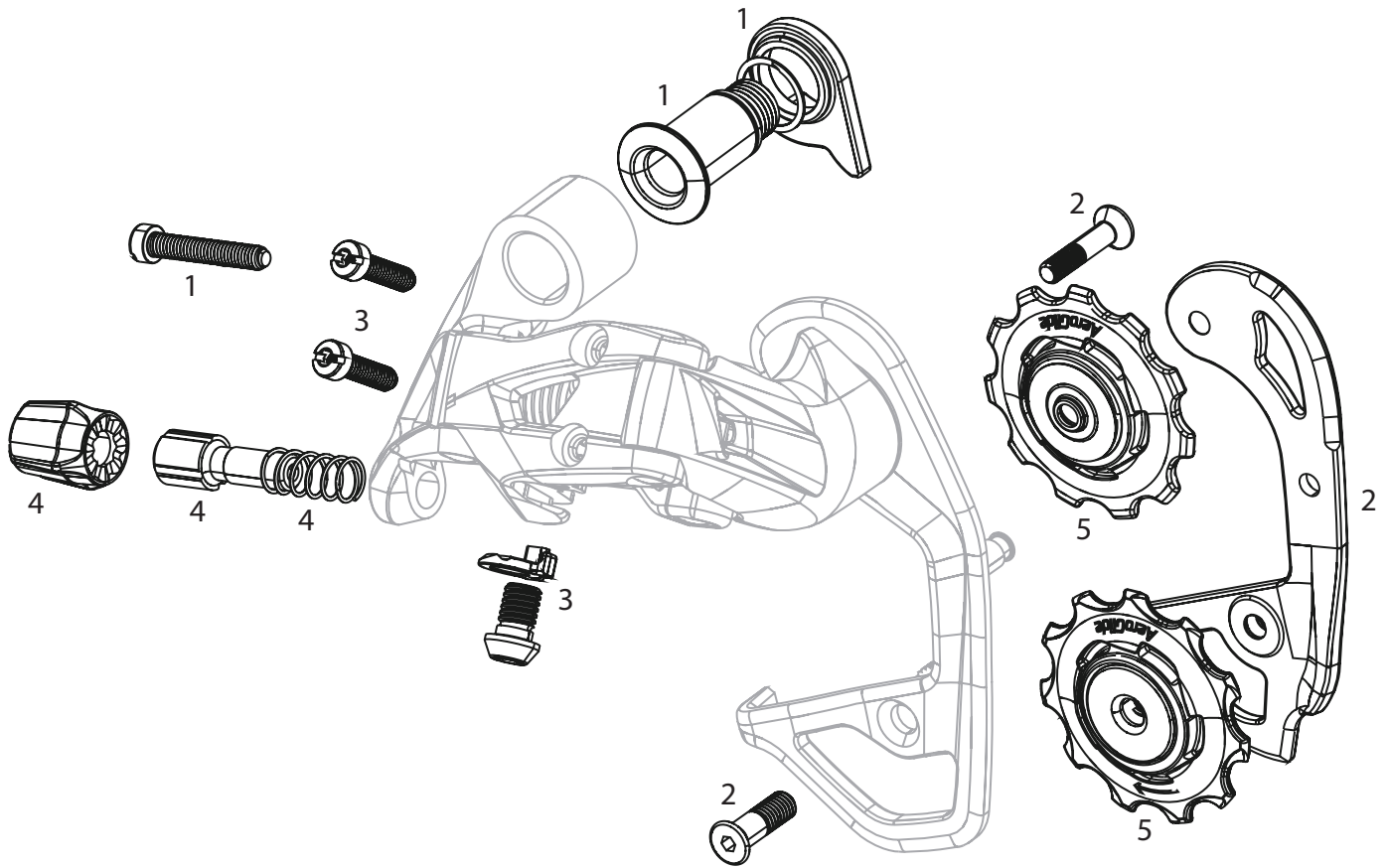


NO.	PART NUMBER	DESCRIPTION
1	11.7518.063.000	REAR DERAILLEUR B-BOLT/B-SCREW RED ETAP
2	11.7518.064.000	REAR DERAILLEUR LIMIT SCREWS RED ETAP
3	11.7518.085.000	REAR DERAILLEUR INNER CAGE MEDIUM RED ETAP INCLUDING SCREWS
3	11.7518.065.000	REAR DERAILLEUR INNER CAGE SHORT RED ETAP INCLUDING SCREWS
4	11.7518.066.000	RED ETAP REAR DERAILLEUR PULLEYS CERAMIC 11 SPEED
5	11.7618.005.000	ETAP BATTERY BLOCK FRONT/REAR DERAILLEUR QTY 1
6	00.3018.102.000	SRAM ETAP/AXS BATTERY QTY 1
7	11.7618.006.000	ETAP BATTERY TERMINAL COVER FRONT/REAR DERAILLEUR/REVERB AXS QTY 1
ns	00.3018.117.000	SRAM ETAP BATTERY CHARGER AND CORD
ns	11.7618.008.000	BATTERY BLOCK FOR ETAP/AXS FRONT & REAR DERAILLEUR AND EAGLE AXS RD, REVERB AXS QTY 1



SRAM RED 22 - REAR DERAILLEUR

RD-RED-C2 / RD-RED-C1

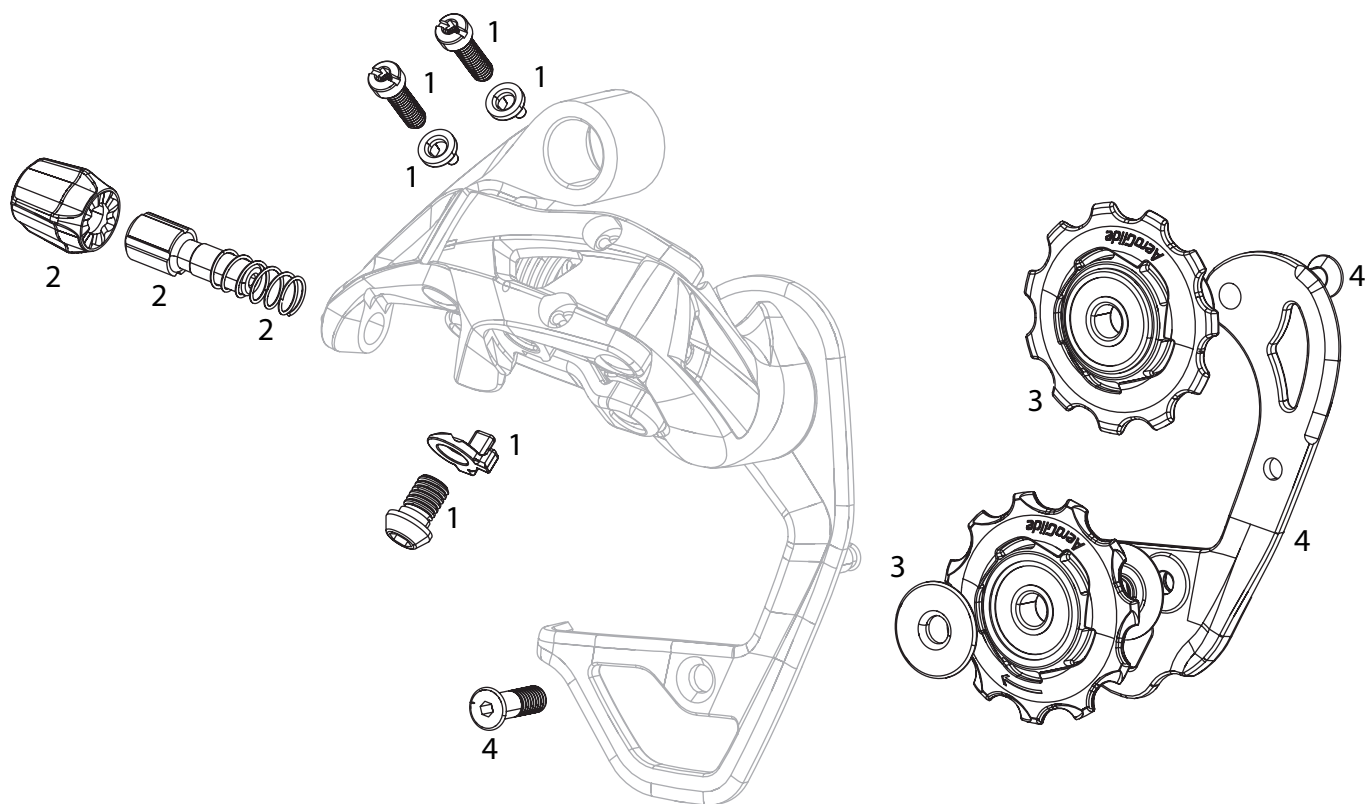


NO.	PART NUMBER	DESCRIPTION
1	11.7518.020.000	REAR DERAILLEUR B-BOLT/B-SCREW KIT RED22
2	11.7518.013.001	REAR DERAILLEUR INNER CAGE WITH MOUNTING BOLTS RED 13/22
3	11.7518.001.000	REAR DERAILLEUR CABLE ANCHOR/LIMIT SCREW RED 13/22 AERO GLIDE
4	11.7518.002.000	REAR DERAILLEUR BARREL ADJUSTER RED 13/22 FORCE22 AERO GLIDE
5	00.7518.014.000	BLACKBOX CERAMIC BEARING PULLEYS AEROGlide ROAD



SRAM RED 2013 - REAR DERAILLEUR

RD-RED-B1

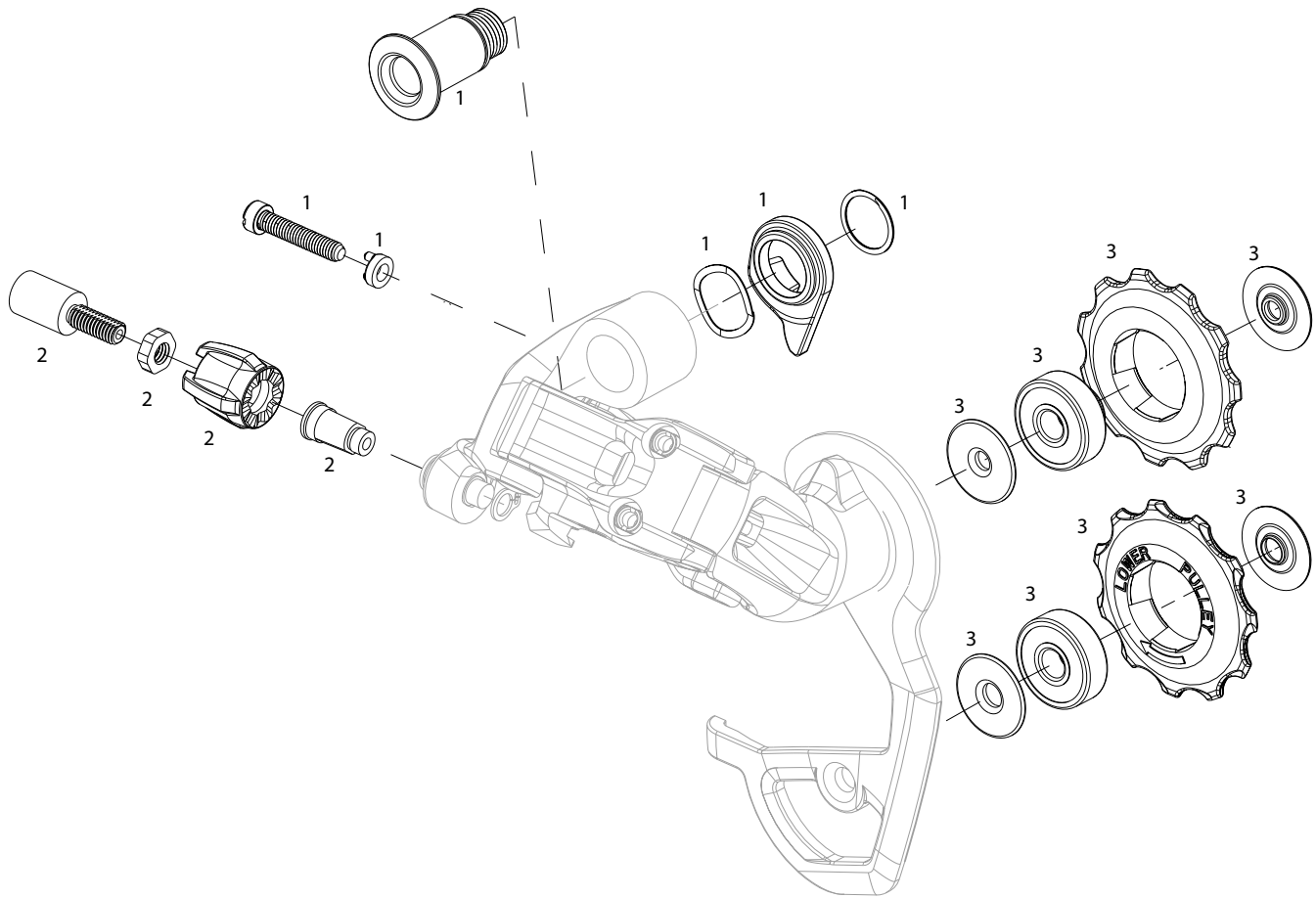


NO.	PART NUMBER	DESCRIPTION
1	11.7518.001.000	REAR DERAILLEUR CABLE ANCHOR/LIMIT SCREW RED 13/22 AERO GLIDE
2	11.7518.002.000	REAR DERAILLEUR BARREL ADJUSTER RED 13/22 FORCE22 AERO GLIDE
3	00.7518.014.000	BLACKBOX CERAMIC BEARING PULLEYS AEROGlide ROAD
4	11.7518.013.001	REAR DERAILLEUR INNER CAGE WITH MOUNTING BOLTS RED 13/22



SRAM RED - REAR DERAILLEUR (2008-2011)

RD-RED-A1

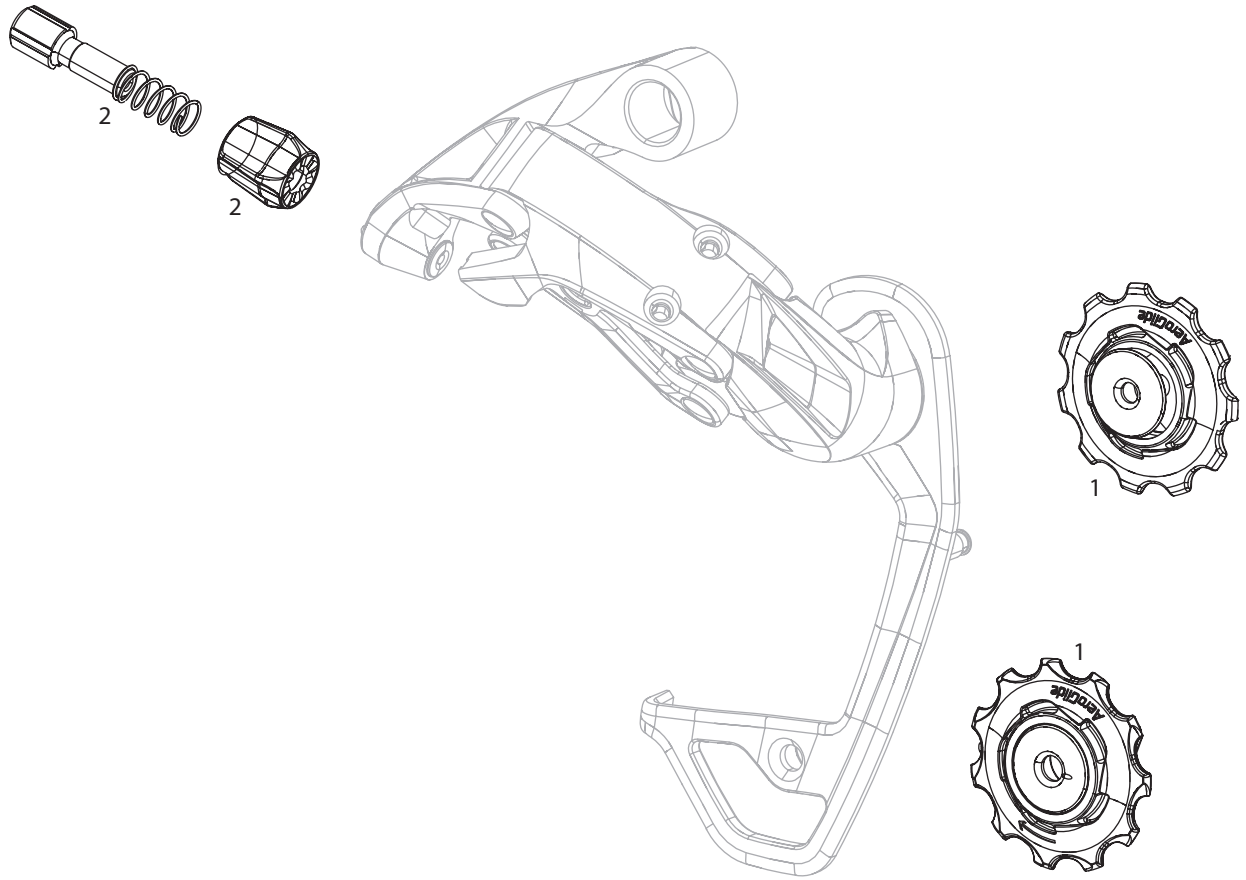


NO.	PART NUMBER	DESCRIPTION
1	11.7515.016.000	REAR DERAILLEUR B-BOLT KIT RED
2	11.7515.018.000	REAR DERAILLEUR BARREL ADJUSTER KIT RED
2	11.7515.070.000	REAR DERAILLEUR BARREL ADJUSTER KIT RED BLACK
3	00.7518.014.000	BLACKBOX CERAMIC BEARING PULLEYS AEROGLIDE ROAD



SRAM FORCE 22 / RIVAL 22 (2014 -) - REAR DERAILLEUR

RD-FRC-B1 / RD-RIV-B1

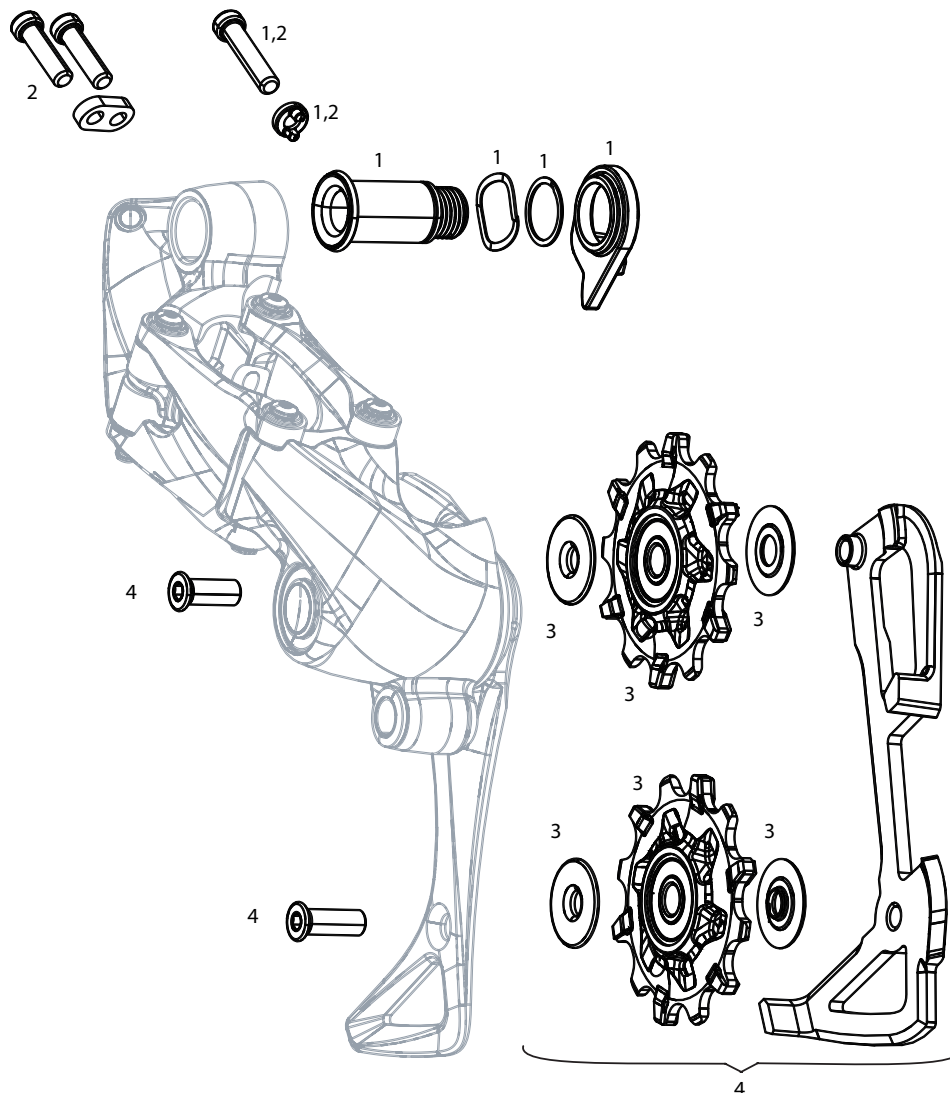


NO.	PART NUMBER	DESCRIPTION
1	11.7518.026.000	REAR DERAILLEUR PULLEY KIT FORCE22/RIVAL22
2	11.7518.002.000	REAR DERAILLEUR BARREL ADJUSTER RED 13/22 FORCE22 AERO GLIDE



SRAM FORCE 1 / CX1 (2014) - REAR DERAILLEUR

RD-FRC-1-A1 / RD-FRC-1-A2

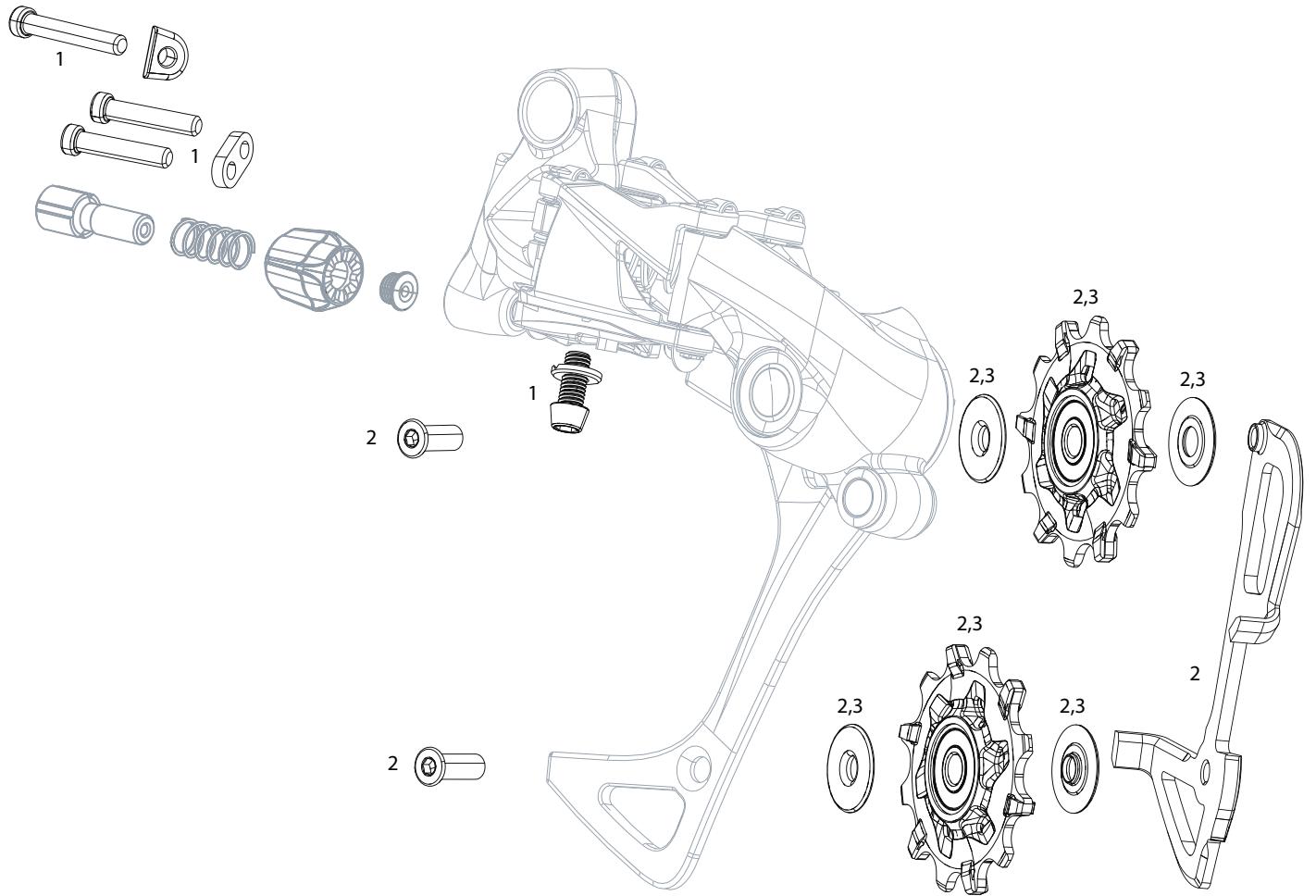


NO.	PART NUMBER	DESCRIPTION
1	11.7518.039.000	REAR DERAILLEUR B-BOLT KIT FORCE 1
2	11.7518.034.000	REAR DERAILLEUR B-SCREW AND LIMIT SCREW KIT X01/X01DH
3	11.7518.032.000	REAR DERAILLEUR PULLEY KIT X01/X01DH/X1/FORCE 1 X-SYNC
4	11.7518.059.000	REAR DERAILLEUR PULLEY AND INNER CAGE KIT GX 1X11/FORCE1/RIVAL1 TYPE 2.1 (MEDIUM/LONG CAGE)



SRAM RIVAL 1 - REAR DERAILLEUR

RD-RIV-1-A1 / RD-RIV-1-A2

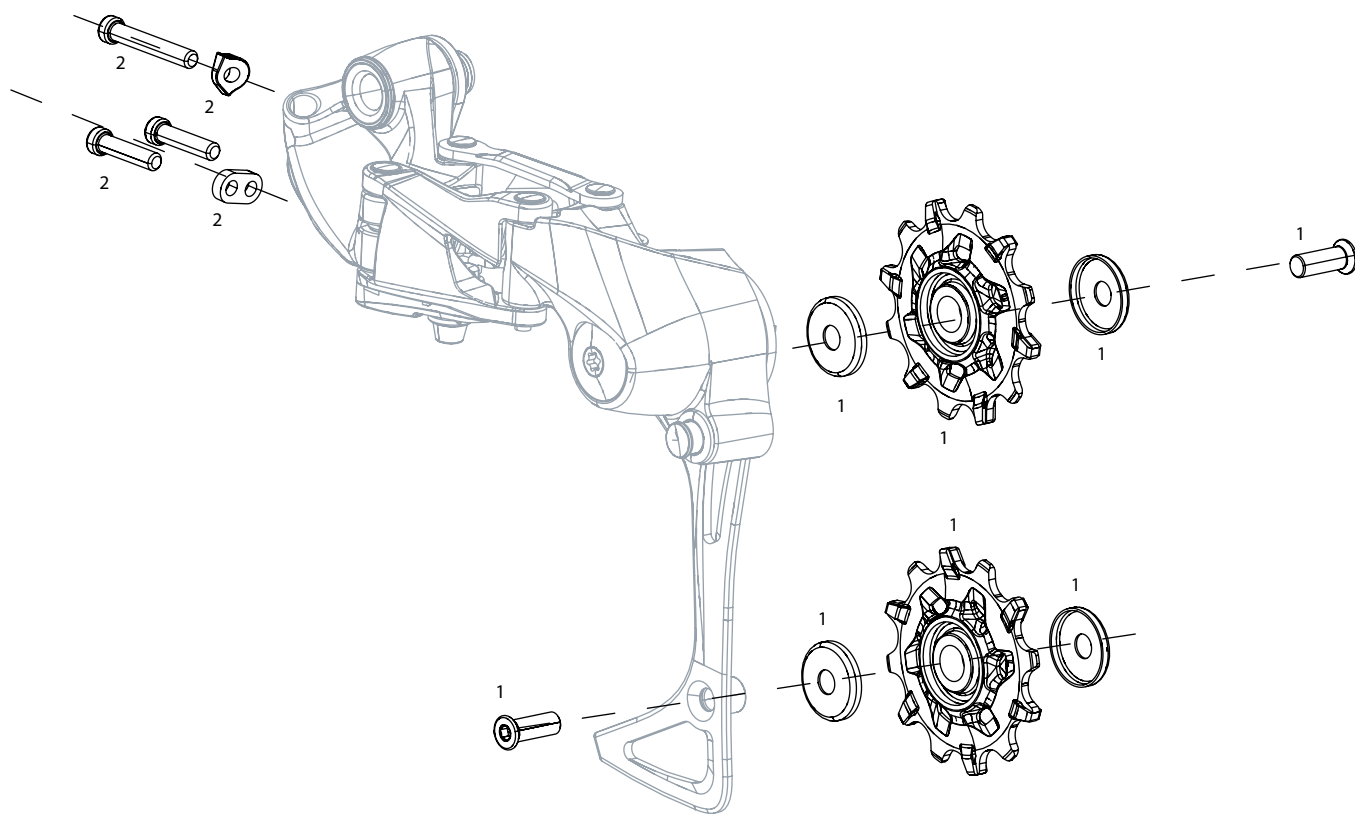


NO.	PART NUMBER	DESCRIPTION
1	11.7518.061.000	REAR DERAILLEUR B-ADJUST AND LIMIT SCREW KIT RIVAL1
2	11.7518.059.000	REAR DERAILLEUR PULLEY AND INNER CAGE KIT GX 1X11/FORCE1/RIVAL1 TYPE 2.1 (MEDIUM/LONG CAGE)
3	11.7518.032.000	REAR DERAILLEUR PULLEY KIT X01/X01DH/X1/FORCE 1 X-SYNC



SRAM APEX 1 / NX - REAR DERAILLEUR

RD-APX-1-A1 / RD-NX-1-A1

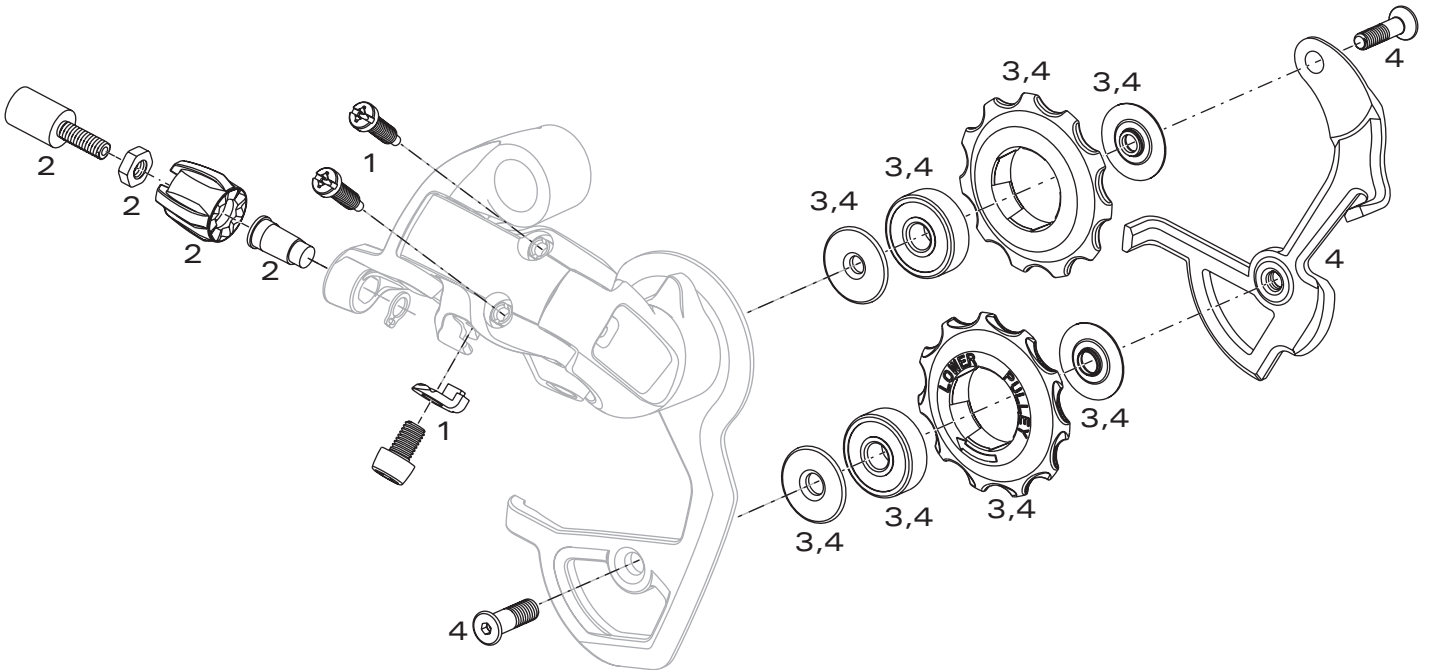


NO.	PART NUMBER	DESCRIPTION
1	11.7518.072.000	REAR DERAILLEUR PULLEY KIT APEX1/NX 11 SPEED
2	11.7518.067.000	REAR DERAILLEUR B-ADJUST AND LIMIT SCREW KIT NX 1X11



SRAM FORCE / RIVAL / APEX - REAR DERAILLEUR (2007-2012)

RD-FRC-A1 / RD-RIV-A1 / RD-APX-A1



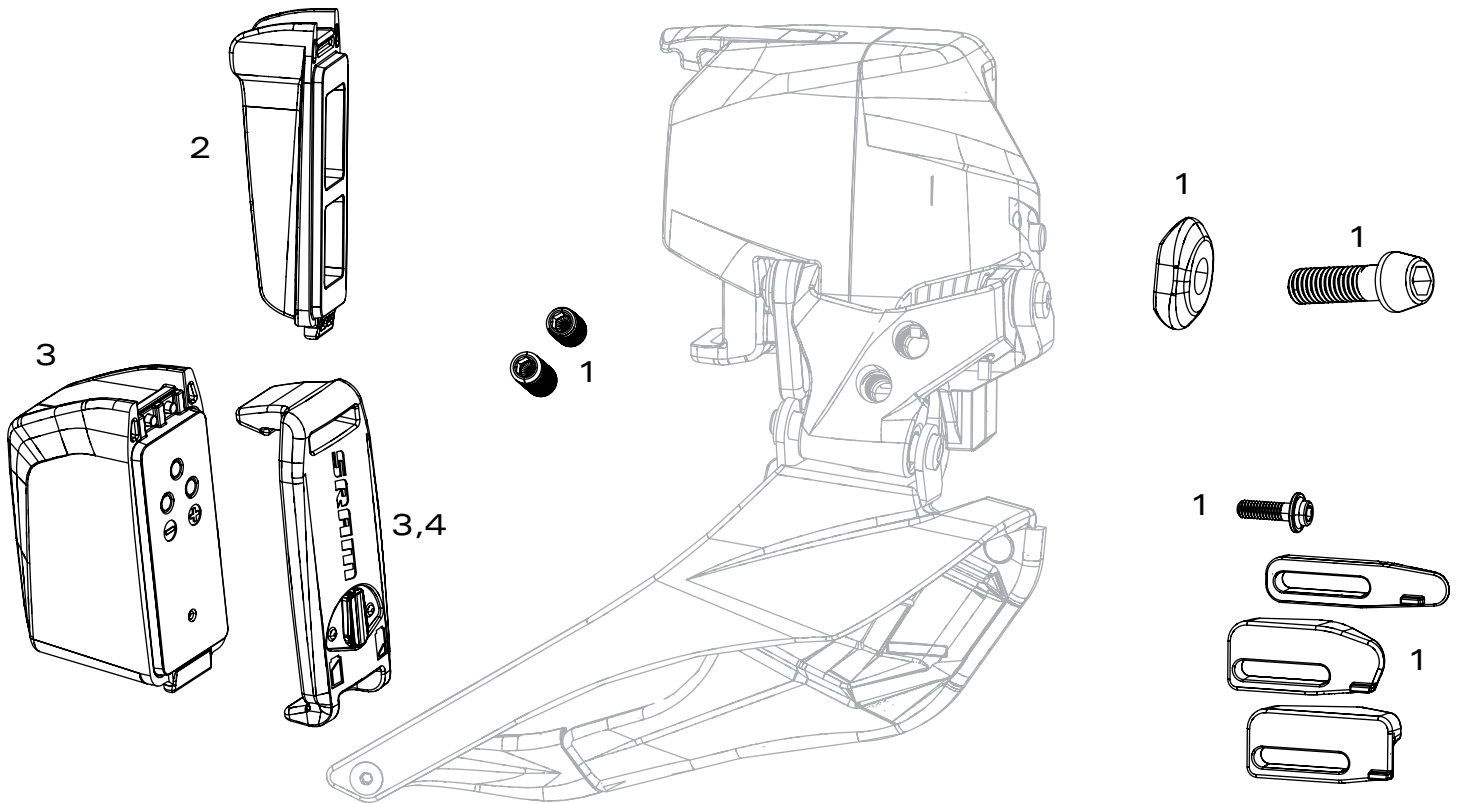
NO.	PART NUMBER	DESCRIPTION
1	11.7515.001.000	REAR DERAILLEUR CABLE ANCHOR/LIMIT SCREW RIVAL
2	11.7515.005.000	REAR DERAILLEUR BARREL ADJUSTER KIT APEX/RIVAL/FORCE
3	11.7515.060.000	REAR DERAILLEUR PULLEY KIT FORCE RIVAL APEX
4	11.7515.033.040	REAR DERAILLEUR PULLEY AND INNER MEDIUM CAGE RIVAL





RED / FORCE ETAP AXS - FRONT DERAILLEUR

FD-RED-E-D1 / FD-FRC-E-D1



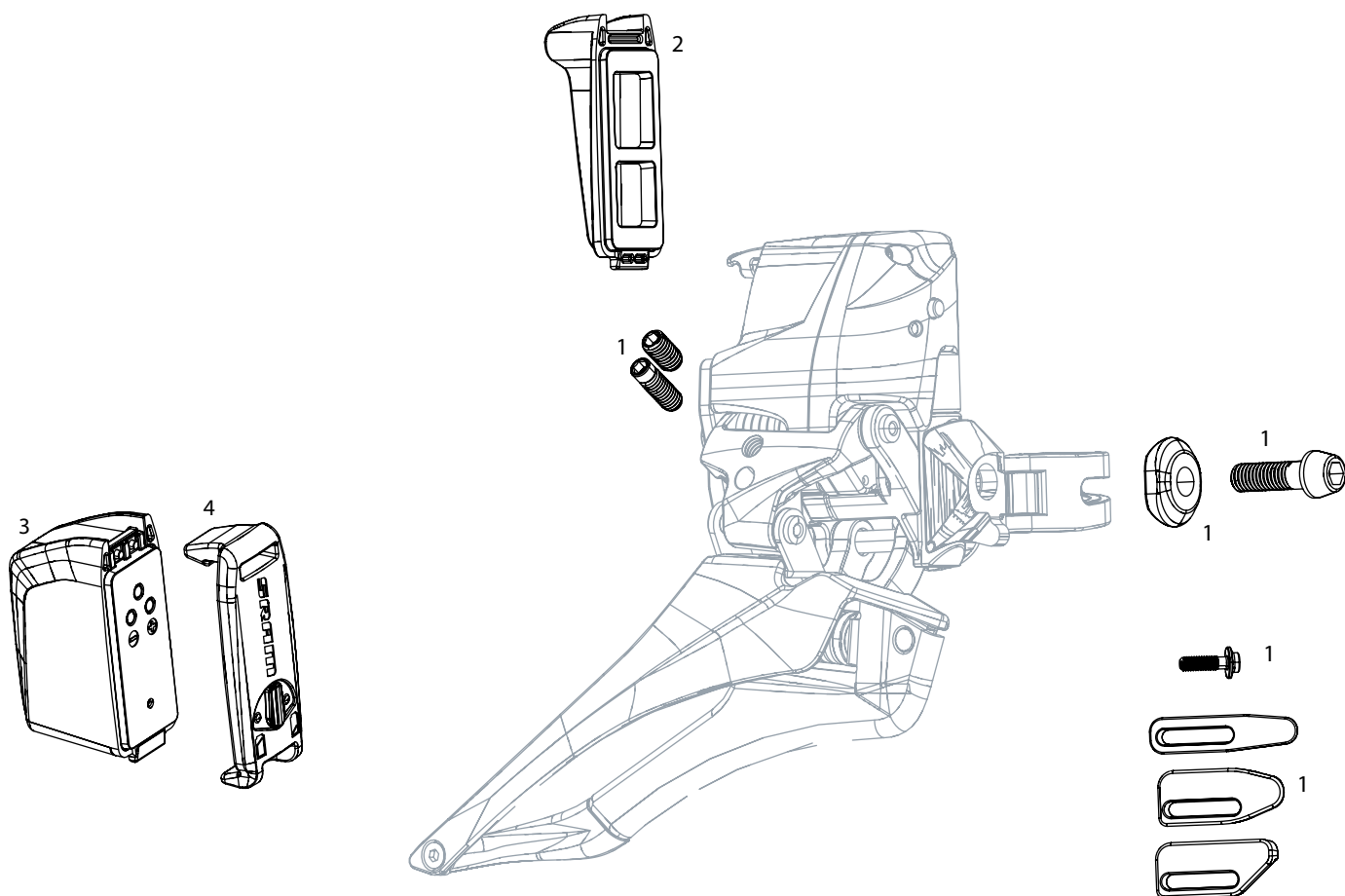
NO.	PART NUMBER	DESCRIPTION
1	11.7618.007.000	FRONT DERAILLEUR SPARE PARTS KIT RED ETAP AXS
1	11.7618.007.001	FRONT DERAILLEUR SPARE PARTS KIT FORCE ETAP AXS
2	11.7618.008.000	BATTERY BLOCK FOR ETAP/AXS FRONT & REAR DERAILLEUR AND EAGLE AXS RD, REVERB AXS QTY 1
3	00.3018.102.000	SRAM ETAP/AXS BATTERY QTY 1
4	11.7618.006.000	ETAP BATTERY TERMINAL COVER FRONT/REAR DERAILLEUR/REVERB AXS QTY 1
ns	00.3018.117.000	SRAM ETAP BATTERY CHARGER AND CORD





SRAM RED ETAP - FRONT DERAILLEUR

FD-RED-E-A1



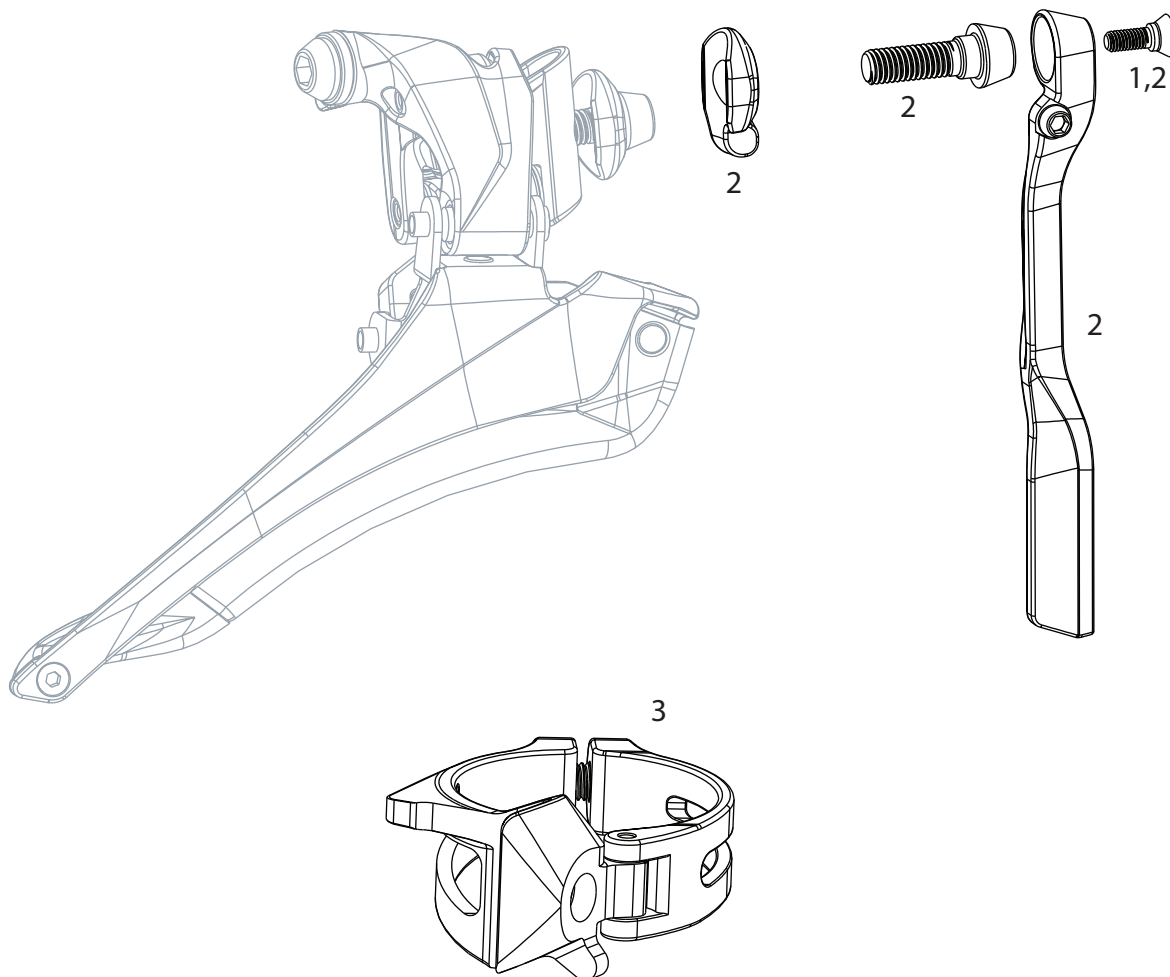
NO.	PART NUMBER	DESCRIPTION
1	11.7618.004.000	FRONT DERAILLEUR SPARE PARTS KIT RED ETAP
2	11.7618.005.000	ETAP BATTERY BLOCK FRONT/REAR DERAILLEUR QTY 1
3	00.3018.102.000	SRAM ETAP/AXIS BATTERY QTY 1
4	11.7618.006.000	ETAP BATTERY TERMINAL COVER FRONT/REAR DERAILLEUR/REVERB AXS QTY 1
ns	00.3018.117.000	SRAM ETAP BATTERY CHARGER AND CORD



SRAM RED 22 / RED 2013 / FORCE 22 / RIVAL 22 - FRONT DERAILLEUR

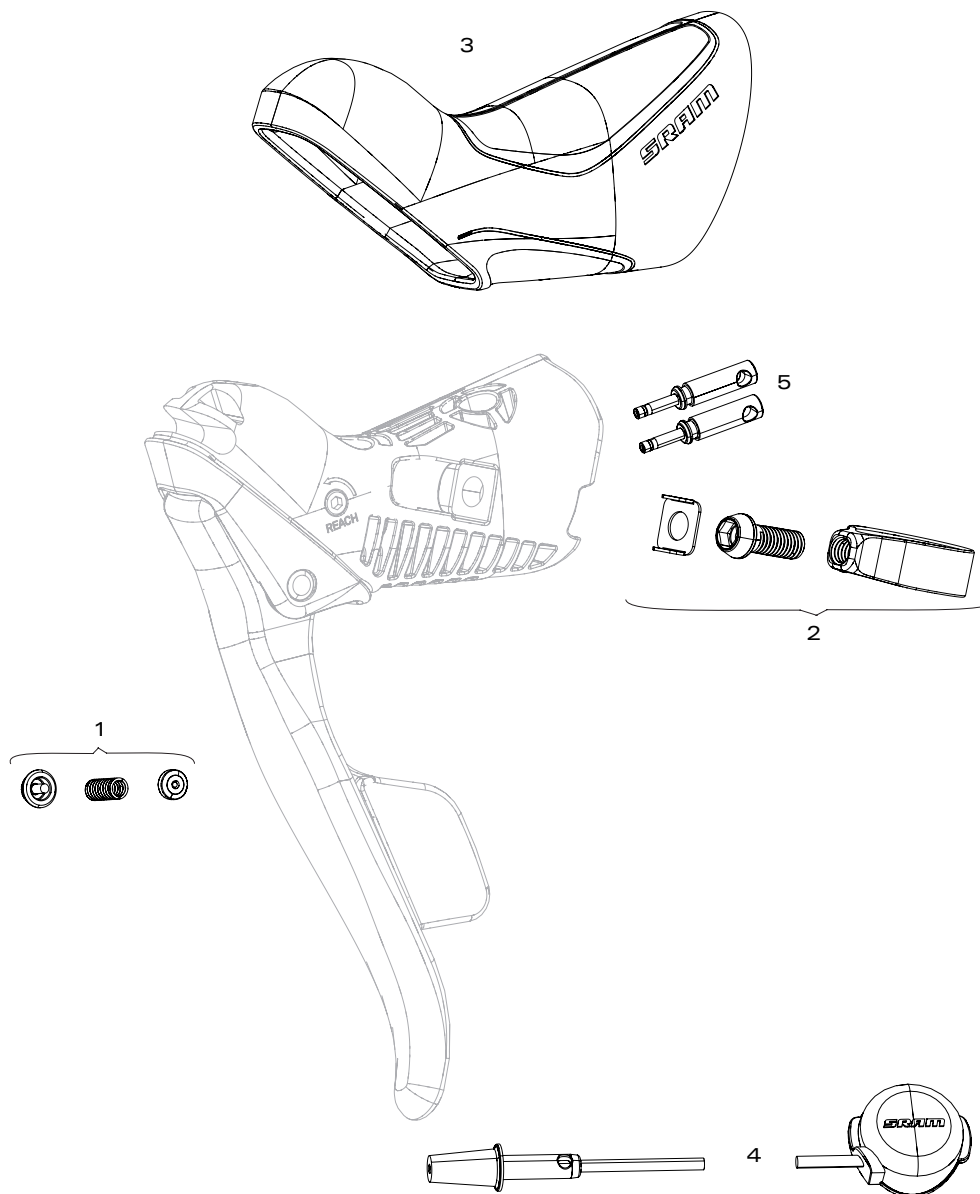


FD-RED-B1 / FD-RED-C1 / FD-RED-C2 / FD-FRC-B1 / FD-RIV-B1 / FD-RIV-B2



NO.	PART NUMBER	DESCRIPTION
1	11.7618.003.000	FRONT DERAILLEUR CHAINSPOTTER ATTACHING BOLT QTY 1
2	00.7618.013.000	FRONT DERAILLEUR CHAIN SPOTTER WITH WASHER
3	11.7618.000.000	BRAZE-ON ADAPTOR RED 34.9 WITH CHAINSPOTTER STOP BLACK
3	11.7618.000.001	BRAZE-ON ADAPTOR RED 31.8 WITH CHAINSPOTTER STOP BLACK



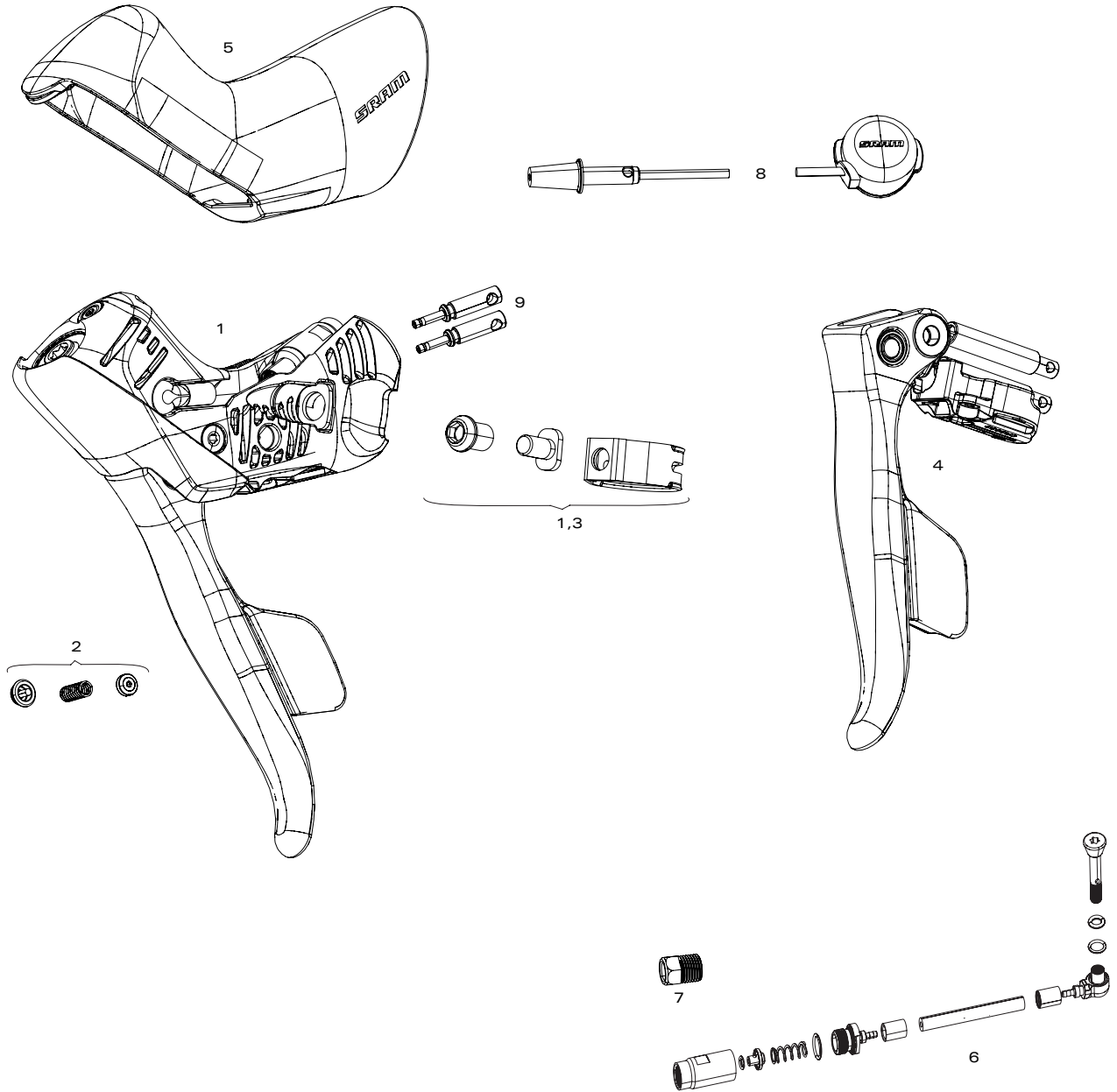


NO.	PART NUMBER	DESCRIPTION
1	11.7018.077.000	SHIFTER SPRING KIT FORCE RED ETAP AXS QTY 1
2	11.7018.080.000	SHIFTER CLAMP KIT ELECTRONIC SHIFTER RIM BRAKE (EB) RED FORCE ETAP AXS PAIR
3	00.7918.084.000	HOOD COVER SRAM RED/FORCE ETAP AXS EB BLACK, PAIR
4	00.7018.210.000	BLIP FOR ETAP 150MM BLACK QTY 2
4	00.7018.210.001	BLIP FOR ETAP 230MM BLACK QTY 2
4	00.7018.210.002	BLIP FOR ETAP 450MM BLACK QTY 2
4	00.7018.210.003	BLIP FOR ETAP 650MM BLACK QTY 2
5	11.7018.049.000	SHIFTER BRAKE AND BLIP BOX DUMMY PLUGS ETAP QTY 2



SRAM RED ETAP AXS HRD (ED)- SHIFTERS / BRAKE LEVERS

ED-RED-D1

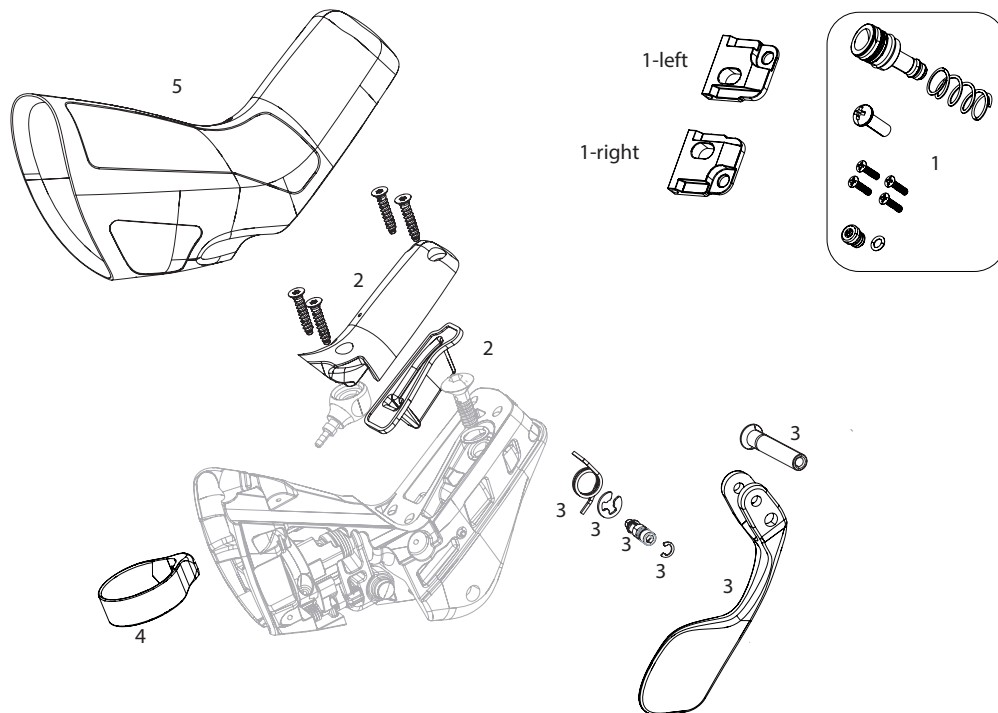


NO.	PART NUMBER	DESCRIPTION
1	11.7018.078.000	ED EXCHANGE KIT SHIFTER AND BRAKE RED ETAP AXS DISC LEFT (INCLUDING HOOD)
1	11.7018.078.001	ED EXCHANGE KIT SHIFTER AND BRAKE RED ETAP AXS DISC RIGHT (INCLUDING HOOD)
1	11.7018.078.002	ED EXCHANGE KIT SHIFTER AND BRAKE FORCE ETAP AXS DISC LEFT (INCLUDING HOOD)
1	11.7018.078.003	ED EXCHANGE KIT SHIFTER AND BRAKE FORCE ETAP AXS DISC RIGHT (INCLUDING HOOD)
2	11.7018.077.000	SHIFTER SPRING KIT FORCE RED ETAP AXS QTY 1
3	11.7018.079.000	SHIFTER CLAMP KIT ELECTRONIC SHIFTER DISC BRAKE (ED) RED FORCE ETAP AXS PAIR
4	11.7018.081.000	ED BRAKE LEVER ASSEMBLY (PADDLE AND ELEC POD) RED ETAP AXS DISC LEFT
4	11.7018.081.001	ED BRAKE LEVER ASSEMBLY (PADDLE AND ELEC POD) RED ETAP AXS DISC RIGHT
4	11.7018.082.000	ED BRAKE LEVER ASSEMBLY (PADDLE AND ELEC POD) FORCE ETAP AXS DISC LEFT
4	11.7018.082.001	ED BRAKE LEVER ASSEMBLY (PADDLE AND ELEC POD) FORCE ETAP AXS DISC RIGHT
5	00.7918.083.000	HOOD COVER SRAM RED/FORCE ETAP AXS HYDRAULIC ROAD LEVERS BLACK, PAIR
6	11.5018.042.000	DISC BRAKE HOSE HOOD ASSEMBLY - ETAP HRD STEALTH-A-MAJIG,
7	11.7018.073.000	SHIFTER BRAKE ETAP HRD COMPRESSION HOSE NUT, QTY 5
8	00.7018.210.000	BLIP FOR ETAP 150MM BLACK QTY 2
8	00.7018.210.001	BLIP FOR ETAP 230MM BLACK QTY 2
8	00.7018.210.002	BLIP FOR ETAP 450MM BLACK QTY 2
8	00.7018.210.003	BLIP FOR ETAP 650MM BLACK QTY 2
9	11.7018.049.000	SHIFTER BRAKE AND BLIP BOX DUMMY PLUGS ETAP QTY 2

SRAM RED 22 / FORCE 22/CX1 / RIVAL 22 / 700 - SHIFTERS / BRAKE LEVERS



SB-RED-HRD-B1 / SB-RED-HRD-B2 / SB-RED-HRR-B1 / SB-RED-HRR-B2 / SB-FRC-HRD-A1 / SB-FRC-HRR-A1 / SB-RIV-HRD-A1 / SB-RIV-HRR-A1 / SB-700-HRD-B1 / SB-700-HRR-B1

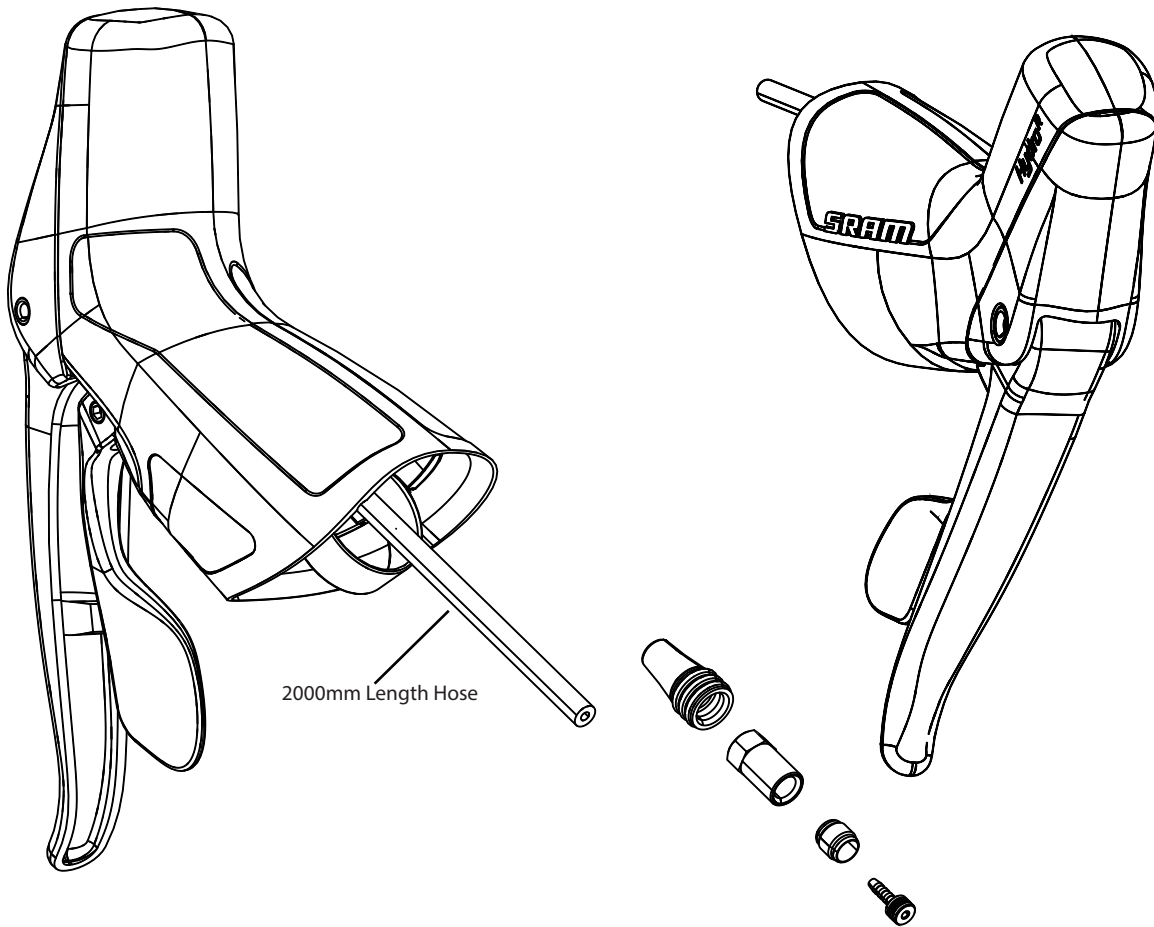


NO.	PART NUMBER	DESCRIPTION
1	11.7018.075.000	SHIFTER BRAKE MASTER PISTON ASSEMBLY KIT HRD/HRR RIGHT INCLUDING PISTONSTOP PLATE WITH SCREW AND BLEED SCREW 1 LEVER
1	11.7018.075.001	SHIFTER BRAKE MASTER PISTON ASSEMBLY KIT HRD/HRR LEFT INCLUDING PISTONSTOP PLATE WITH SCREW AND BLEED SCREW 1 LEVER
2	11.7018.037.000	SHIFTER BRAKE RESERVOIR CAP KIT LEFT HRD/HRR BLADDER KIT INCLUDING 4 SCREWS
2	11.7018.037.001	SHIFTER BRAKE RESERVOIR CAP KIT RIGHT HRD/HRR BLADDER KIT INCLUDING 4 SCREWS
3	11.7018.070.000	SHIFT LEVER ASSEMBLY RED HRD B2 RIGHT
3	11.7018.070.010	SHIFT LEVER ASSEMBLY RED HRD B2 LEFT
4	11.7018.002.000	SHIFTER CLAMP KIT RED 13/22/FORCE22/RIVAL22/700 ERGODYNAMIC AND HYDRAULIC ROADSHIFTER PAIR
5	00.7918.027.001	HOOD COVER SRAM HYDRAULIC LEVERS BLACK, PAIR
ns	00.5318.011.001	DISC BRAKE HYDRAULIC HOSE KIT SRAM ROAD BLACK 2000MM (INCLUDES CALIPER BANJO & FITTINGS) - RED/FORCE/ RIVAL/APEX/S700
ns	00.5318.011.003	DISC BRAKE HYDRAULIC HOSE KIT SRAM ROAD BLACK 2000MM (INCLUDES CALIPER BANJO & FITTINGS) - FLAT MOUNT CALIPERS: - RED/FORCE/ RIVAL/APEX



SRAM RED 22 / FORCE 22/CX1 / RIVAL / APEX - SHIFTERS / BRAKE LEVERS

SB-RED-HRD-B1 / SB-RED-HRD-B2 / SB-RED-HRR-B1 / SB-RED-HRR-B2 / SB-FRC-HRD-A1 / SB-FRC-HRR-A1 / SB-RIV-HRD-A1 / SB-RIV-HRR-A1



NOTES:

1. Shifter hoods not included
2. Hydraulic Road Exchange includes 2000mm of hose

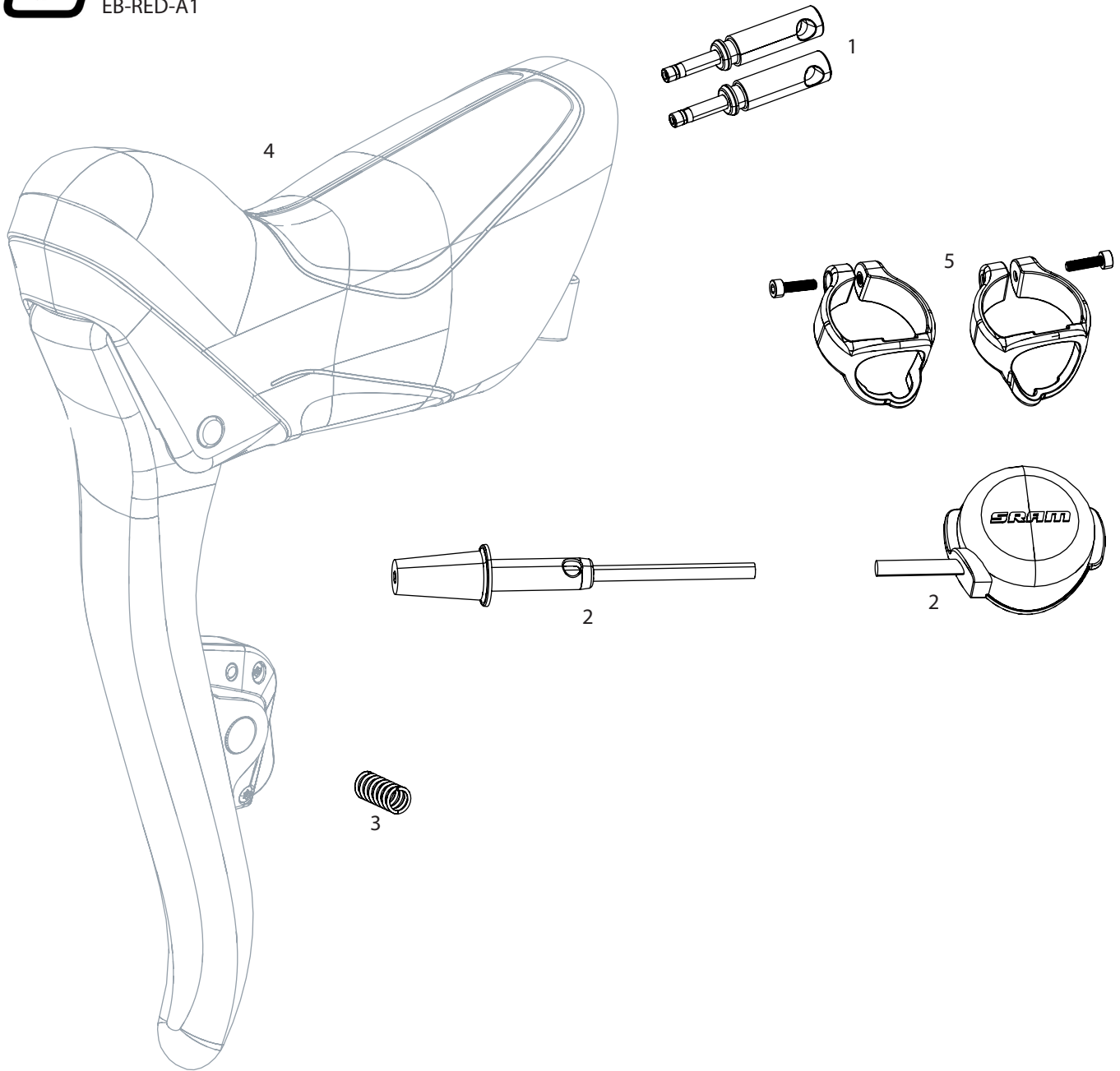
PART NUMBER	DESCRIPTION
11.7018.043.000	SHIFTER BRAKE LEVER EXCHANGE HYDRAULIC RED 22 REAR
11.7018.046.000	SHIFTER BRAKE LEVER EXCHANGE HYDRAULIC RED 22 FRONT
11.7018.043.001	SHIFTER BRAKE LEVER EXCHANGE HYDRAULIC FORCE 22 REAR
11.7018.046.001	SHIFTER BRAKE LEVER EXCHANGE HYDRAULIC FORCE 22 FRONT
11.5218.000.000	BRAKE LEVER EXCHANGE HYDRAULIC FORCE1 FRONT
11.7018.043.002	SHIFTER BRAKE LEVER EXCHANGE HYDRAULIC RIVAL 22 REAR
11.7018.043.004	SHIFTER BRAKE LEVER EXCHANGE HYDRAULIC APEX1 REAR
11.5218.003.000	BRAKE LEVER EXCHANGE HYDRAULIC APEX1 FRONT
00.5318.011.001	DISC BRAKE HYDRAULIC HOSE KIT SRAM ROAD BLACK 2000MM (INCLUDES CALIPER BANJO & FITTINGS) - RED/FORCE/ RIVAL/APEX/S700
00.5318.011.003	DISC BRAKE HYDRAULIC HOSE KIT SRAM ROAD BLACK 2000MM (INCLUDES CALIPER BANJO & FITTINGS) - FLAT MOUNT CALIPERS - RED/FORCE/ RIVAL/APEX





SRAM RED ETAP - SHIFTERS / BRAKE LEVERS

EB-RED-A1



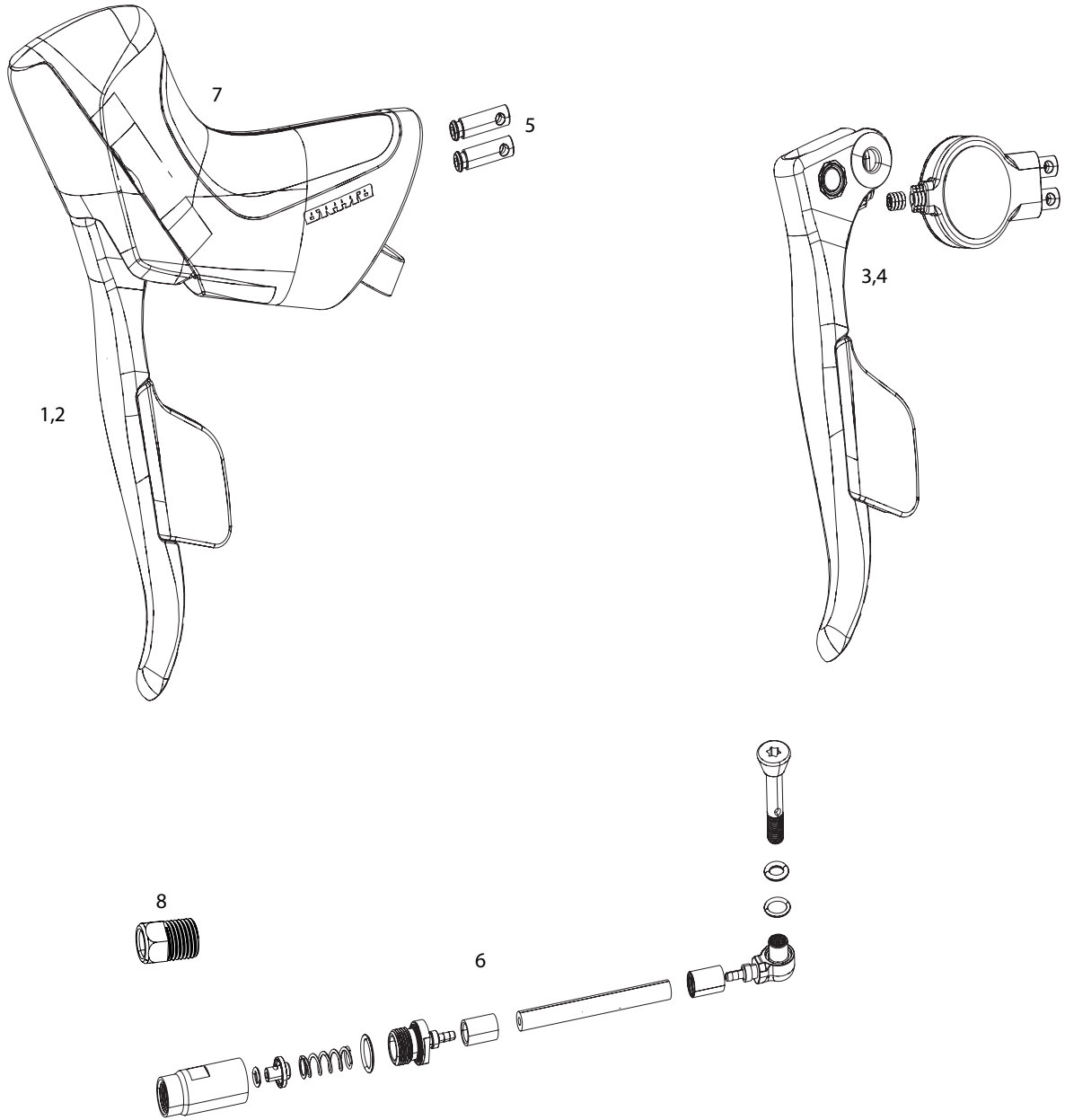
NO.	PART NUMBER	DESCRIPTION
1	11.7018.049.000	SHIFTER BRAKE AND BLIP BOX DUMMY PLUGS ETAP QTY 2
2	00.7018.210.000	BLIP FOR ETAP 150MM BLACK QTY 2
2	00.7018.210.001	BLIP FOR ETAP 230MM BLACK QTY 2
2	00.7018.210.002	BLIP FOR ETAP 450MM BLACK QTY 2
2	00.7018.210.003	BLIP FOR ETAP 650MM BLACK QTY 2
3	11.7018.063.000	SHIFTER SPRING AND ACTUATOR RED ETAP LEFT/RIGHT QTY 1
4	00.7918.066.000	HOOD COVER PAIR FOR ETAP LEVERS, BLACK
5	00.3018.098.000	SRAM BLIP CLAMP 31.8 PAIR
ns	00.3018.097.000	SRAM BLIP GRIP AERO PAIR





SRAM RED ETAP HRD - SHIFTERS / BRAKE LEVERS

SB-RED-EHRD-A1

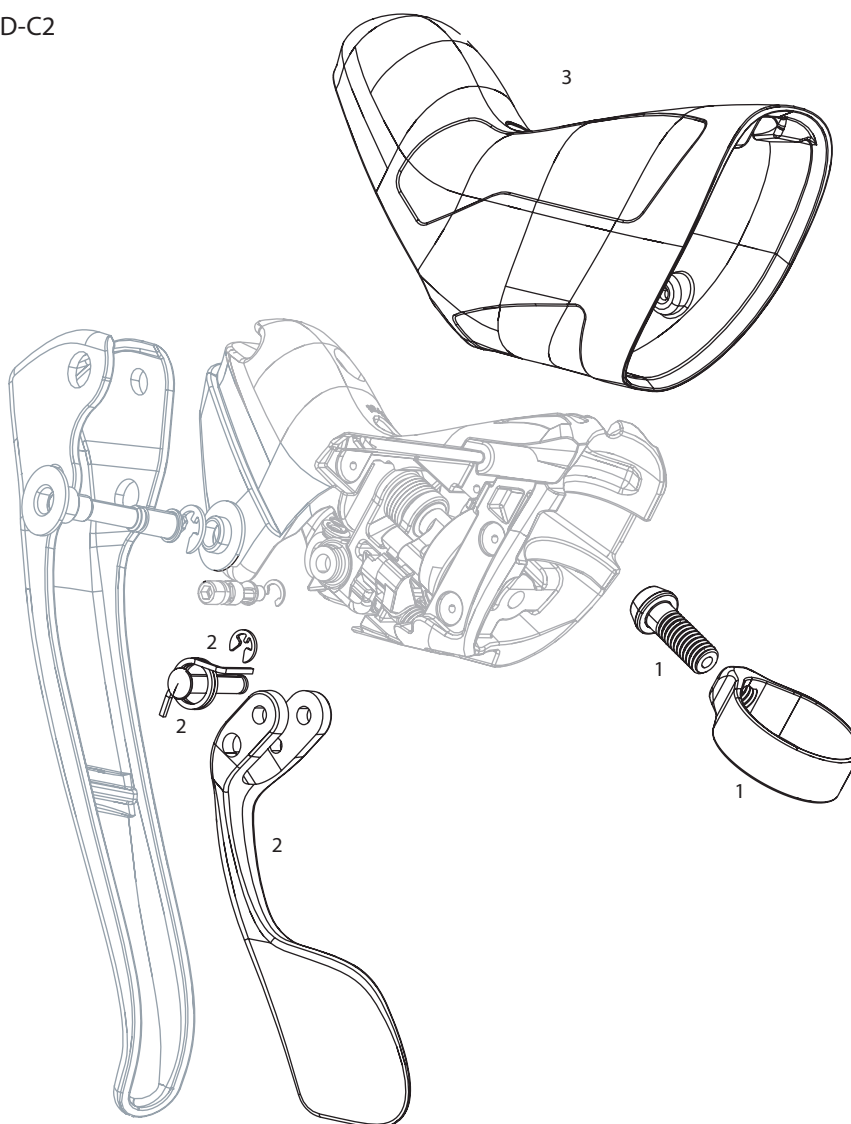


NO.	PART NUMBER	DESCRIPTION
1	11.7018.066.000	SHIFTER BRAKE LEVER EXCHANGE RED ETAP HYDRAULIC ROAD LEFT
2	11.7018.066.010	SHIFTER BRAKE LEVER EXCHANGE RED ETAP HYDRAULIC ROAD RIGHT
3	11.7018.067.000	BRAKE LEVER ASSEMBLY HYDRAULIC RED ETAP HRD LEFT
4	11.7018.067.010	BRAKE LEVER ASSEMBLY HYDRAULIC RED ETAP HRD RIGHT
5	11.7018.049.000	SHIFTER BRAKE AND BLIP BOX DUMMY PLUGS ETAP QTY 2
6	11.5018.042.000	DISC BRAKE HOSE HOOD ASSEMBLY ETAP HRD STEALTH-A-MAJIG, QTY 1
7	00.7918.027.002	HOOD COVER SRAM ETAP HYDRAULIC ROAD LEVERS BLACK, PAIR
8	11.7018.073.000	SHIFTER BRAKE ETAP HRD COMPRESSION HOSE NUT, QTY 5
ns	00.5016.168.180	HYDRAULIC LINE KIT - MONOBLOCK, 2000MM, BLACK, QTY 1 - RED ETAP HRD/S900 AERO HRD



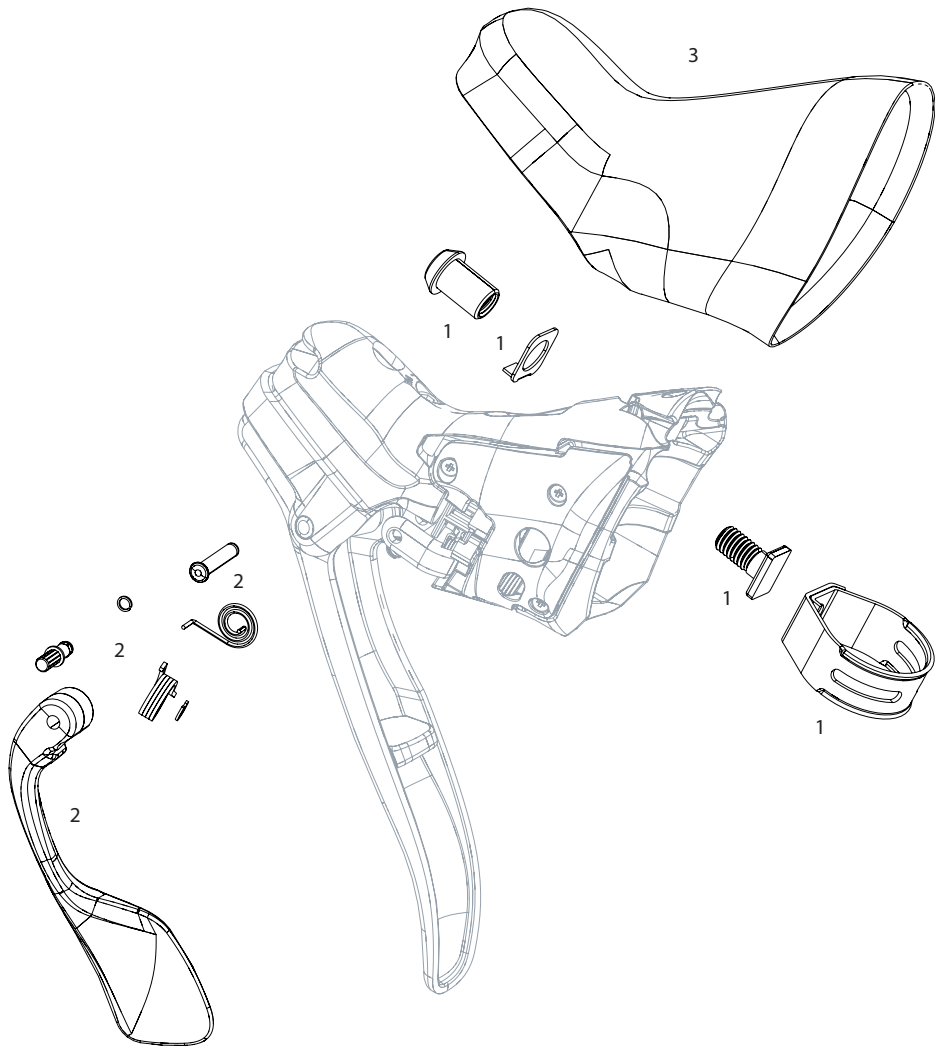
SRAM RED 22 / 2013 - SHIFTERS / LEVERS

SB-RED-B1 SB-RED-C1 SB-RED-C2



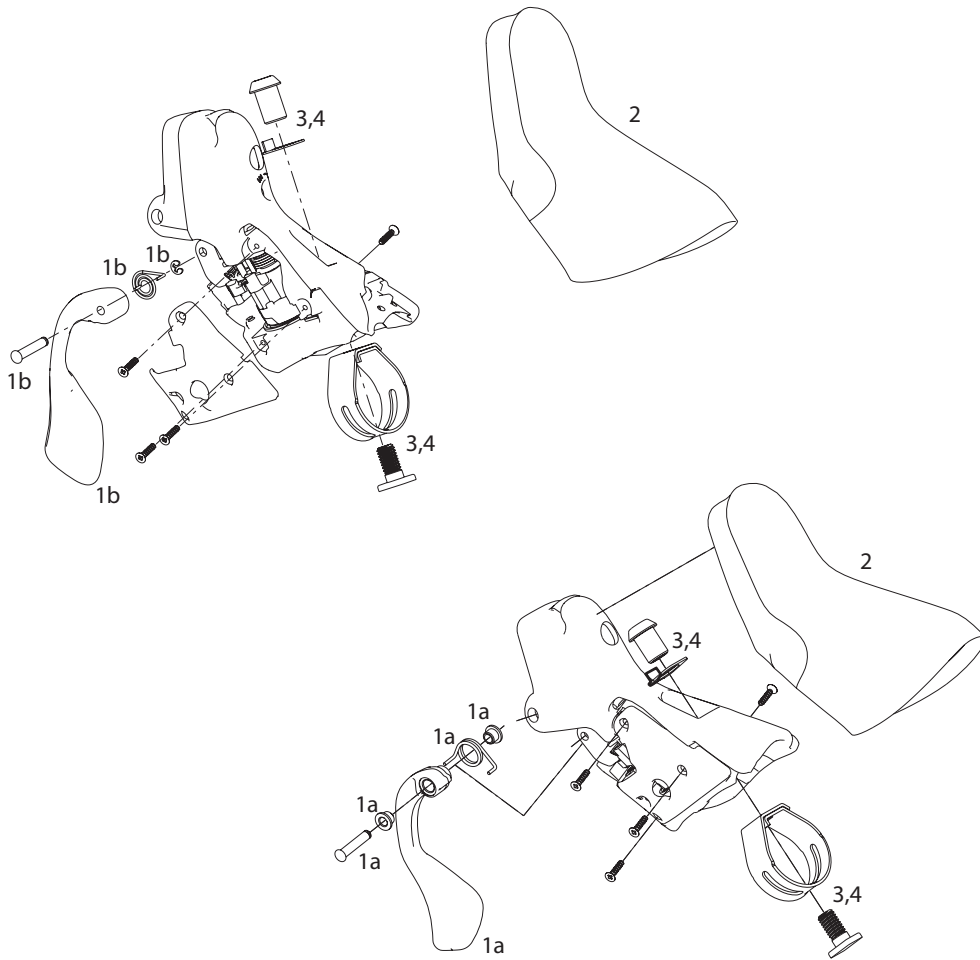
NO.	PART NUMBER	DESCRIPTION
1	11.7018.002.000	SHIFTER CLAMP KIT RED 13/22/FORCE22/RIVAL22/700 ERGODYNAMIC AND HYDRAULIC ROADSHIFTER PAIR
2	11.7018.005.000	SHIFTER LEVER ASSEMBLY RED 13/22 ERGODYMANIC RIGHT
2	11.7018.005.001	SHIFTER LEVER ASSEMBLY RED 13/22 ERGODYMANIC LEFT
2	11.7018.069.000	SHIFT LEVER ASSEMBLY MECHANICAL RED B2 RIGHT
2	11.7018.069.010	SHIFT LEVER ASSEMBLY MECHANICAL RED B2 LEFT
3	00.7918.010.000	HOOD COVER PAIR FOR RED2012, RED 22, FORCE 22, RIVAL 22 LEVERS, TEXTURED, BLACK
3	00.7918.010.001	HOOD COVER PAIR FOR RED2012, RED 22, FORCE 22, RIVAL 22 LEVERS, TEXTURED, WHITE
3	00.7918.010.002	HOOD COVER PAIR FOR RED2012, RED 22, FORCE 22, RIVAL 22 LEVERS, TEXTURED, RED





NO.	PART NUMBER	DESCRIPTION
1	11.7015.050.000	SHIFTER CLAMP KIT 09-11 ROAD SHIFTER CLAMP KIT, PAIR
2	11.7015.040.000	SHIFTER LEVER ASSEMBLY RED LEFT
2	11.7015.040.010	SHIFTER LEVER ASSEMBLY RED RIGHT
3	00.7915.042.000	HOODS FOR DOUBLETAP LEVERS BLACK, PAIR
3	00.7915.042.010	HOODS FOR DOUBLETAP LEVERS WHITE, PAIR
3	00.7915.042.020	HOODS FOR DOUBLETAP LEVERS RED, PAIR



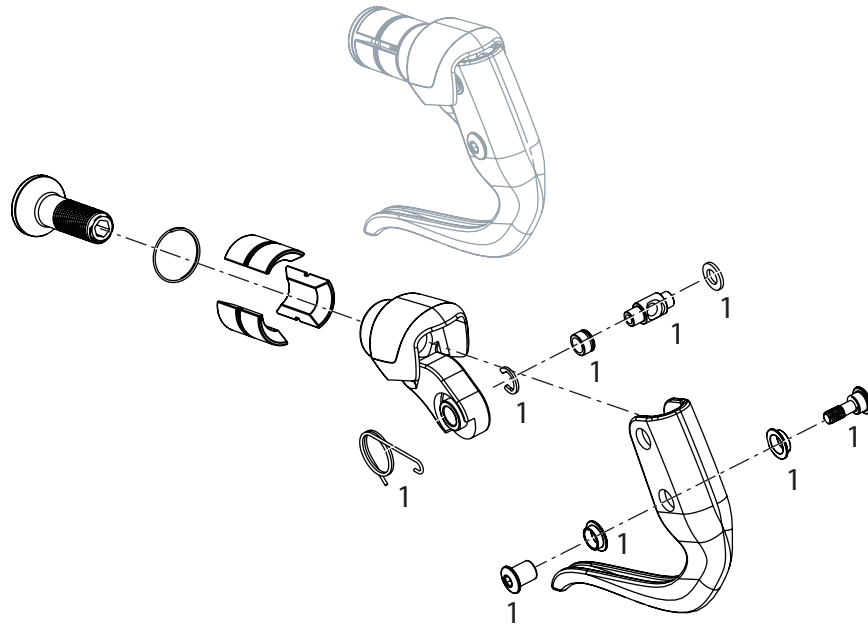


NO.	PART NUMBER	DESCRIPTION
1a	11.7015.052.040	SHIFTER LEVER ASSEMBLY KIT 2009-2011 APEX/RIVAL, LEFT
1b	11.7015.052.050	SHIFTER LEVER ASSEMBLY KIT 2009-2011 APEX/RIVAL, RIGHT
2	00.7915.042.000	HOODS FOR DOUBLETAP LEVERS BLACK, PAIR
2	00.7915.042.010	HOODS FOR DOUBLETAP LEVERS WHITE, PAIR
2	00.7915.042.020	HOODS FOR DOUBLETAP LEVERS RED, PAIR
3	11.7015.000.000	SHIFTER BRAKE CLAMP KIT 2007-2008 RIVAL/FORCE, PAIR
4	11.7015.050.000	SHIFTER CLAMP KIT 09-11 ROAD SHIFTER CLAMP KIT, PAIR



TIME TRIAL BRAKE LEVER (2008-2012)

BL-500-AERO-A1 / BL-700-ROAD-A1

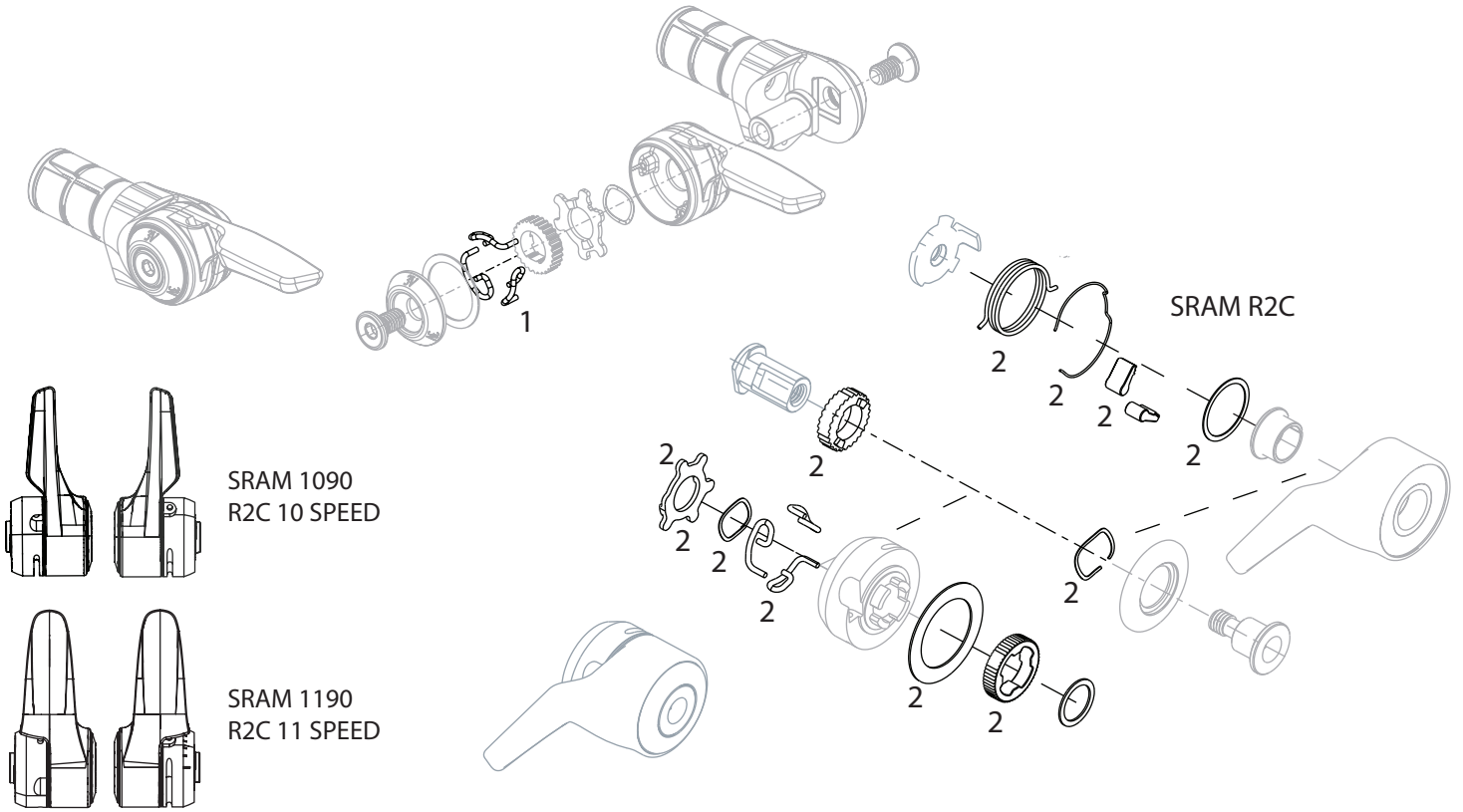


NO.	PART NUMBER	DESCRIPTION
1	11.5215.024.000	BRAKE LEVER HARDWARE KIT TT TT500, TT900 QTY1



TIME TRIAL SHIFTER (2008-2016)

SL-900-AERO-A1 / SL-900-AERO-A2 / SL-500-AERO-A1 / SL-500-AERO-A2

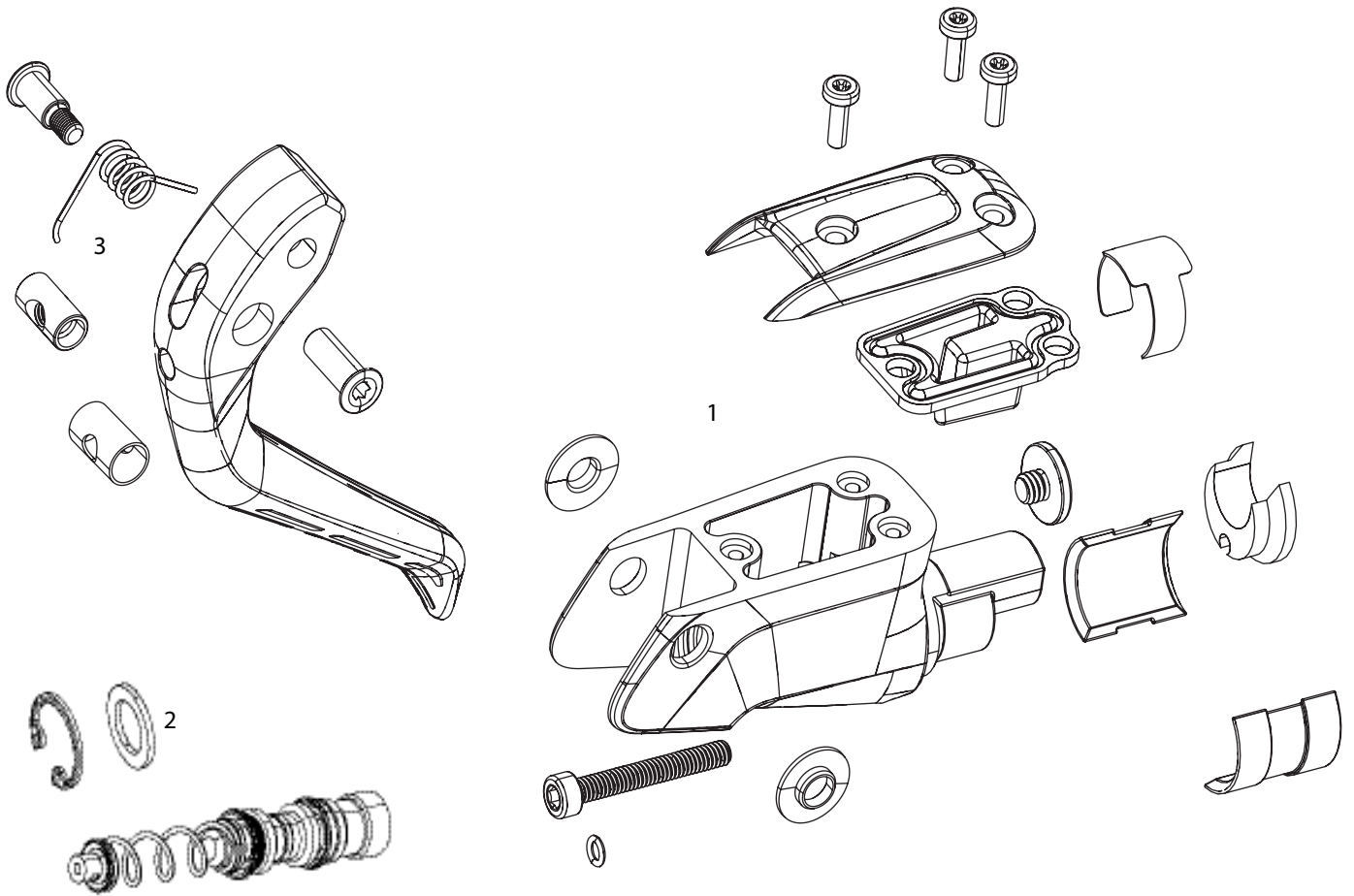


NO.	PART NUMBER	DESCRIPTION
1	11.7015.036.000	SHIFTER SPRING KIT TT900, TT500 REAR
2	11.7015.075.000	SHIFTER SERVICE KIT R2C FRONT/REAR
ns	11.7018.040.000	SHIFTER SERVICE KIT TT R2C FRONT YAW REAR 11 SPEED



S900 TT AERO HRD

DB-S-900-A1



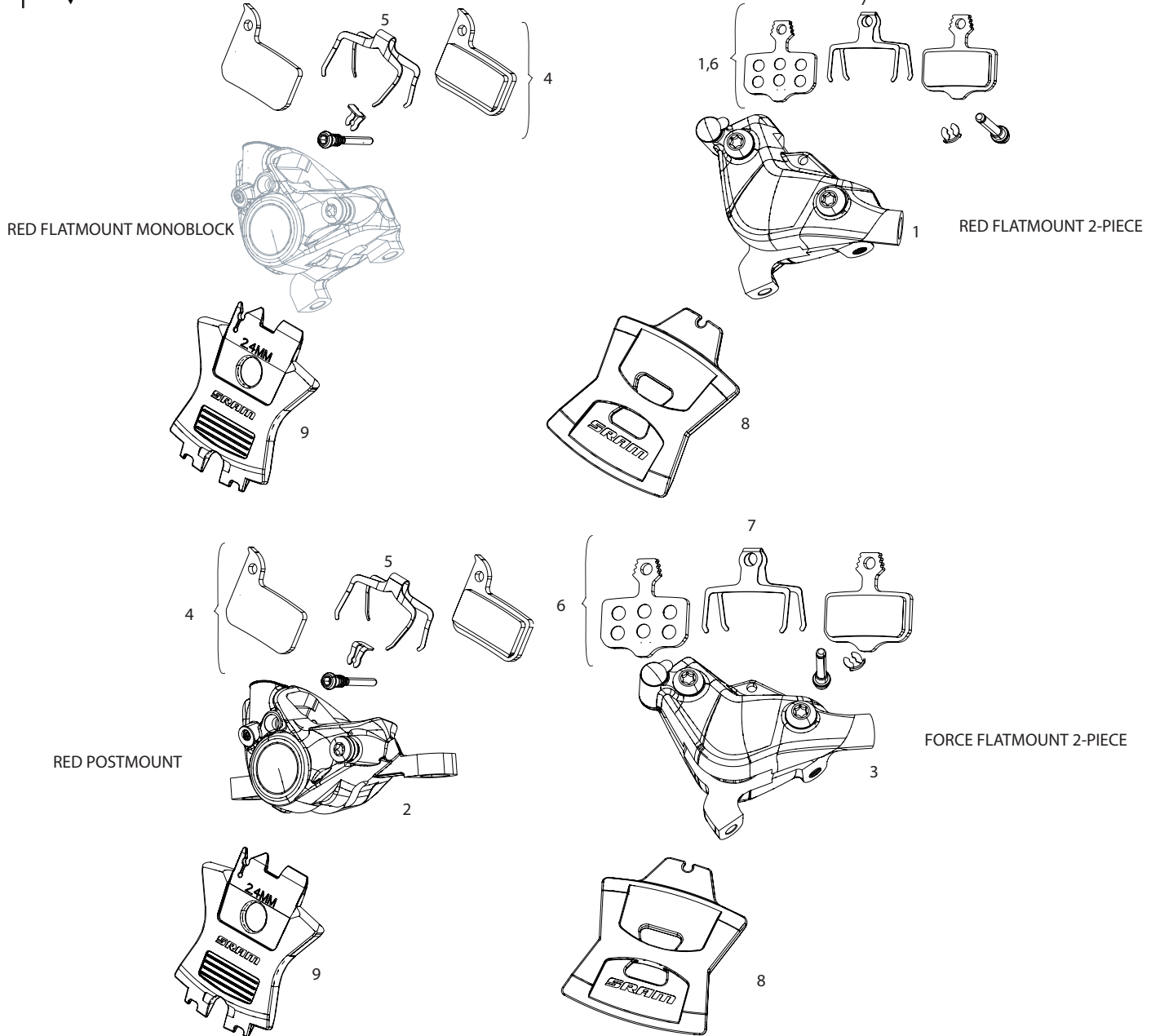
NO.	PART NUMBER	DESCRIPTION
1	11.5218.004.000	BRAKE LEVER HOOD KIT S900 AERO HRD
2	11.5218.005.000	BRAKE LEVER MASTER PISTON KIT S900 AERO HRD
3	11.5218.006.000	BRAKE LEVER KIT S900 AERO ROAD HRD





RED / FORCE ETAP AXS HRD CALIPERS

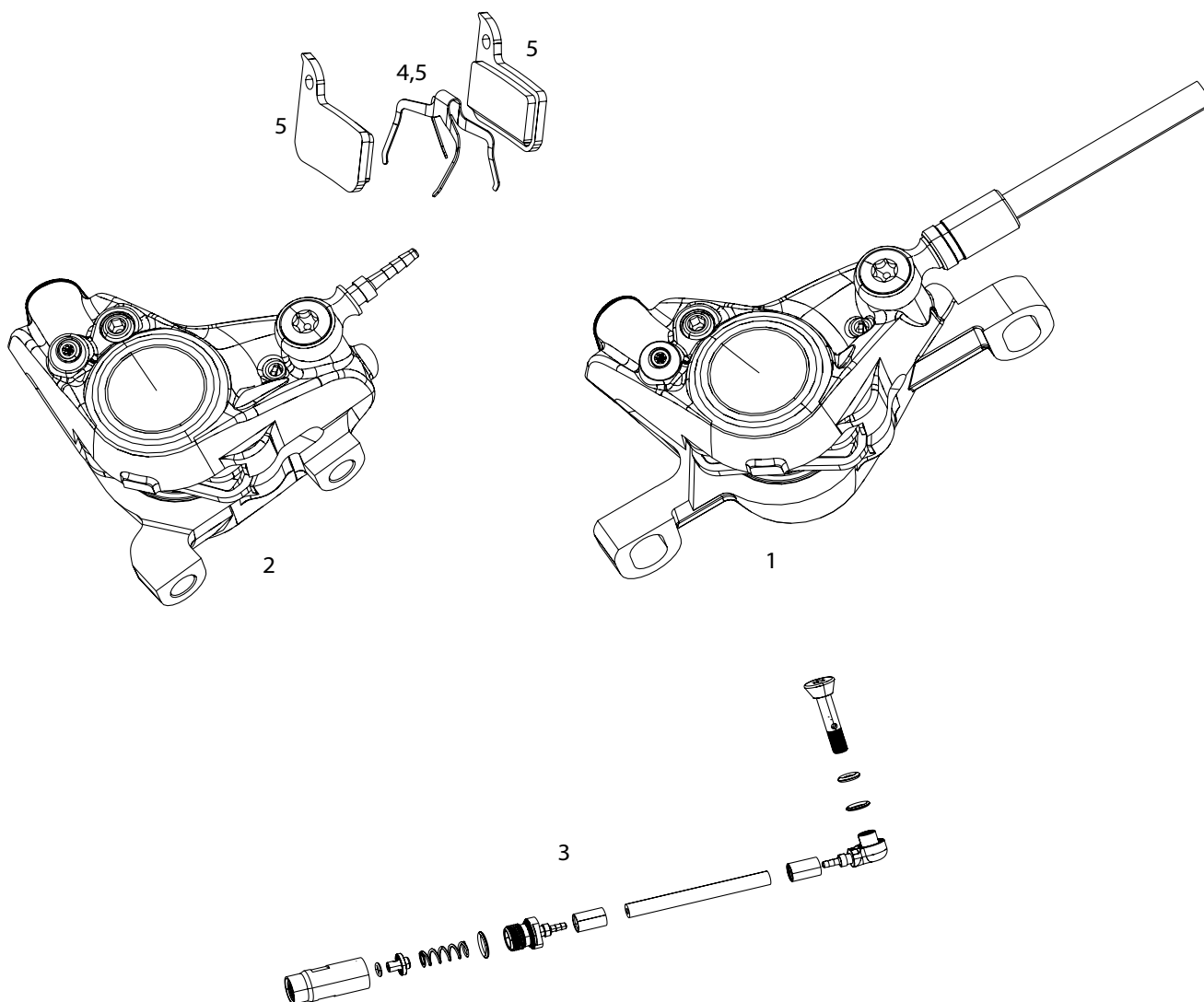
ED-RED-D1 / ED-FRC-D1



Note: In July 2019 Red AXS disc brakes move to 2-Piece calipers which requires a different line kit & brake pads. See page 163 for mounting bolts.

NO.	PART NUMBER	DESCRIPTION
1	11.5018.050.000	DISC BRAKE CALIPER ASSEMBLY RED ETAP AXS D1 HRD FLAT MOUNT 2-PIECE FRONT/REAR POLAR GREY INCLUDING BRAKE PADS
2	11.5018.051.000	DISC BRAKE CALIPER ASSEMBLY RED ETAP AXS D1 HRD POST MOUNT FRONT/REAR INCLUDING BRAKE PADS
3	11.5018.050.001	DISC BRAKE CALIPER ASSEMBLY FORCE ETAP AXS D1 HRD FLAT MOUNT FRONT/REAR INCLUDING BRAKE PADS
4	00.5318.010.002	DISC BRAKE PADS - ORGANIC/STEEL (QUIET) - MONOBLOCK - SRAM HYDRAULIC ROAD DISC, LEVEL ULTIMATE/TLM A1 (2017-2019)
4	00.5318.010.004	DISC BRAKE PADS - SINTERED/STEEL (POWERFUL) - MONOBLOCK - SRAM HYDRAULIC ROAD DISC, LEVEL ULTIMATE/TLM A1 (2017-2019)
4	00.5318.010.003	DISC BRAKE PADS - ORGANIC/ALUMINUM (QUIET/LIGHT) - MONOBLOCK - SRAM HYDRAULIC ROAD DISC, LEVEL ULTIMATE/TLM A1 (2017-2019)
5	11.5018.006.002	DISC BRAKE PAD H-SPRING - (QTY 2) MONOBLOCK - LEVEL ULTIMATE/TLM (A1) QTY 2
6	00.5318.024.001	DISC BRAKE PADS - ORGANIC/STEEL (QUIET) - (INCLUDES GUIDE PIN, CLIP & PAD SPREADER) - LEVEL TL/LEVEL T/LEVEL/LEVEL ULT/TLM B1 (2020+)/DB/ELIXIR/2 PIECE ROAD - OE ROAD PAD
7	11.5015.035.000	DISC BRAKE PAD H-SPRING - (QTY 2) - ELIXIR/DB/LEVEL ULT B1/LEVEL TLM B1/FORCE ETAP AXS
8	11.5018.062.000	DISC BRAKE PAD SPACER 2.8MM - 2-PIECE CALIPER - LEVEL ULTIMATE/TLM/TL/FORCE AXS/RED AXS - QTY2
9	11.5018.062.001	DISC BRAKE PAD SPACER 2.4MM - MONOBLOCK CALIPER - ETAP/S900 - QTY2
ns	00.5016.168.180	HYDRAULIC LINE KIT - MONOBLOCK, 2000MM, BLACK, QTY 1 - RED ETAP HRD/S900 AERO HRD
ns	00.5018.128.000	HYDRAULIC LINE KIT - 2000MM, BLACK, QTY 1 (INCLUDING HYDRAULIC LINE, 1 BOOT, 2 OLIVES, 2 COMPRESSION NUTS, 2 HOSE BARB, 1 TORX TOOL) - RED AND FORCE 2-PIECE ETAP AXS
ns	11.5018.061.000	DISC BRAKE HOSE FITTING KIT - SHORT NUT (INCLUDES 5 THREADED HOSE BARBS, 5 COMPRESSION NUTS, 5 RED COMP OLIVES, 1 T8 TORX) - RED/FORCE AXS 2-PIECE

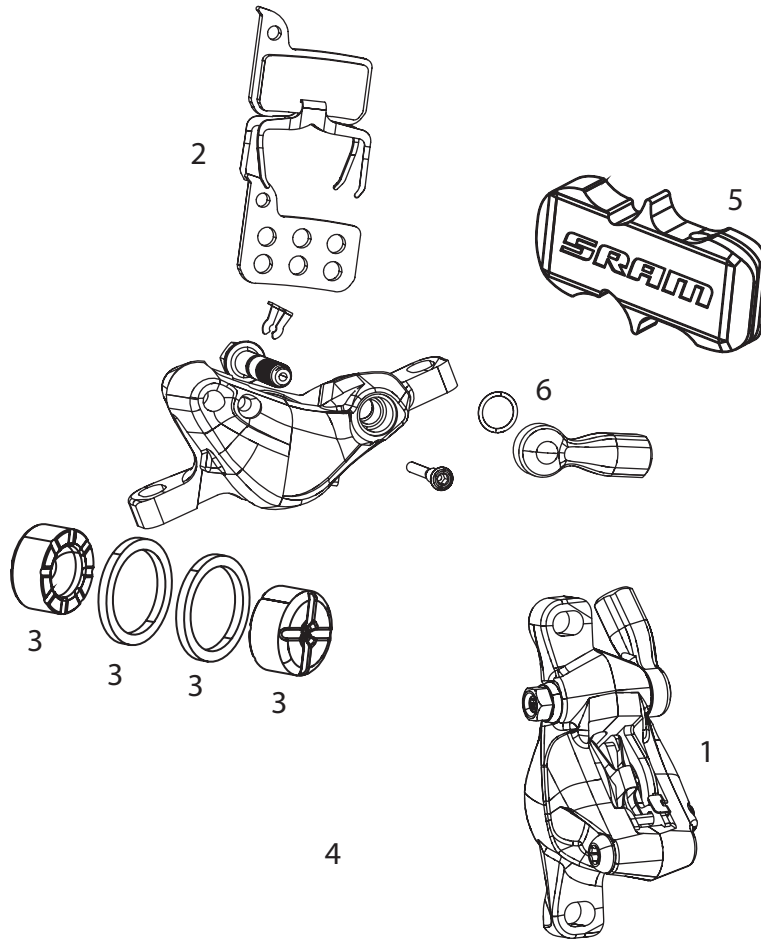




See page 163 for mounting bolts.

NO.	PART NUMBER	DESCRIPTION
1	11.5018.024.010	DISC BRAKE CALIPER ASSEMBLY RED ETAP HRD POST MOUNT FRONT/REAR FALCON GREY
2	11.5018.039.010	DISC BRAKE CALIPER ASSEMBLY RED ETAP HRD FLAT MOUNT FRONT/REAR FALCON GREY
3	11.5018.042.000	DISC BRAKE HOSE HOOD ASSEMBLY - ETAP HRD STEALTH-A-MAJIG,
4	11.5018.006.002	DISC BRAKE PAD H-SPRING - (QTY 2) MONOBLOCK - LEVEL ULTIMATE/TLM (A1) QTY 2
5	00.5318.010.002	DISC BRAKE PADS - ORGANIC/STEEL (QUIET) - MONOBLOCK - SRAM HYDRAULIC ROAD DISC, LEVEL ULTIMATE/TLM A1 (2017-2019)
5	00.5318.010.004	DISC BRAKE PADS - SINTERED/STEEL (POWERFUL) - MONOBLOCK - SRAM HYDRAULIC ROAD DISC, LEVEL ULTIMATE/TLM A1 (2017-2019)
5	00.5318.010.003	DISC BRAKE PADS - ORGANIC/ALUMINUM (QUIET/LIGHT) - MONOBLOCK - SRAM HYDRAULIC ROAD DISC, LEVEL ULTIMATE/TLM A1 (2017-2019)
ns	11.7018.073.000	SHIFTER BRAKE ETAP HRD COMPRESSION HOSE NUT, QTY 5
ns	00.5016.168.180	HYDRAULIC LINE KIT - MONOBLOCK, 2000MM, BLACK, QTY 1 - RED ETAP HRD/S900 AERO HRD



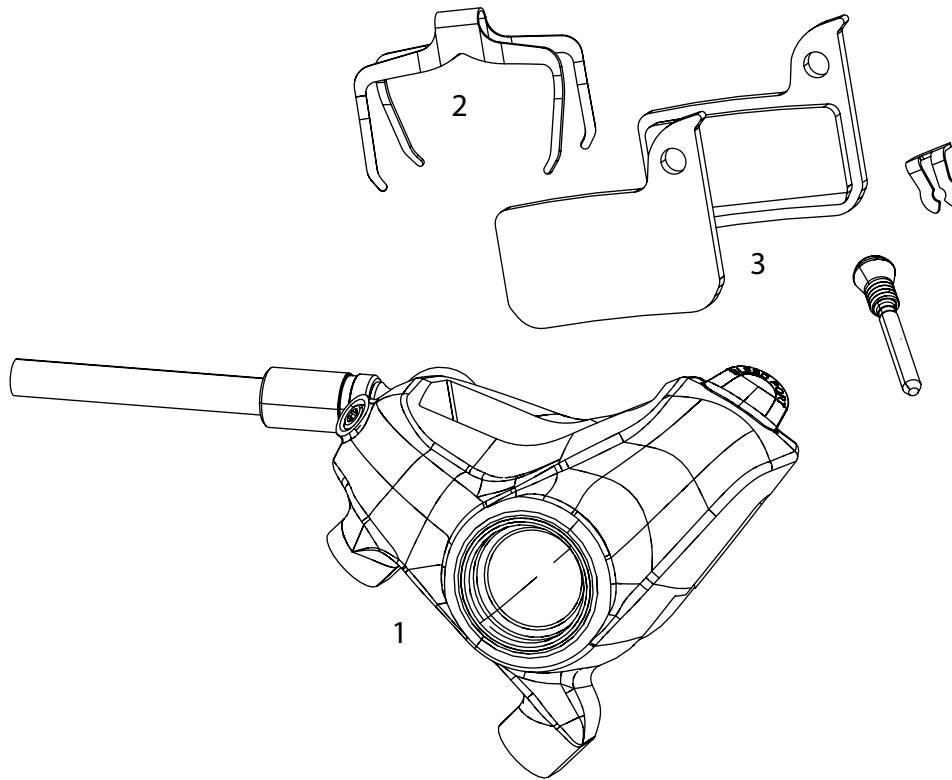


NO.	PART NUMBER	DESCRIPTION
1	11.5018.024.000	DISC BRAKE CALIPER ASSEMBLY RED22 HRD B1 18MM FRONT/REAR GREY
1	11.5018.026.000	DISC BRAKE CALIPER ASSEMBLY FORCE22 HRD B1 18MM FRONT/REAR GREY
1	11.5018.027.000	DISC BRAKE CALIPER ASSEMBLY RIVAL22 HRD B1 18MM FRONT/REAR BLACK
1	11.5018.044.000	DISC BRAKE CALIPER ASSEMBLY APEX HRD POST MOUNT FRONT/REAR BLACK
1	11.5018.039.000	DISC BRAKE CALIPER ASSEMBLY RED22 HRD FLAT MOUNT FRONT/REAR
1	11.5018.040.000	DISC BRAKE CALIPER ASSEMBLY FORCE22 / FORCE1 HRD FLAT MOUNT FRONT/REAR
1	11.5018.041.000	DISC BRAKE CALIPER ASSEMBLY RIVAL22/RIVAL1 HRD FLAT MOUNT FRONT/REAR
1	11.5018.045.000	DISC BRAKE CALIPER ASSEMBLY APEX HRD FLAT MOUNT FRONT/REAR BLACK
2	11.5018.037.000	DISC BRAKE PADS - ORGANIC/STEEL (20 SETS) SRAM HYDRAULIC ROAD DISC, LEVEL ULTIMATE/TLM
2	11.5018.037.001	DISC BRAKE PADS - ORGANIC/ALUMINUM (20 SETS) - SRAM HYDRAULIC ROAD DISC, LEVEL ULTIMATE/TLM
2	11.5018.037.002	DISC BRAKE PADS - SINTERED/STEEL (20 SETS) - HRD
3	11.5018.029.000	DISC BRAKE CALIPER PISTON KIT - (INCLUDES 2-18MM PISTONS & SEALS) REAR - RED22/700 B1
4	11.5018.028.000	DISC BRAKE PAD H-SPRING - (QTY 20) - RED22/700 B1
5	11.5015.014.060	DISC BRAKE BLEED BLOCK - HYDRAULIC ROAD DISC
6	11.5018.031.000	DISC BRAKE CALIPER BANJO KIT - BLACK NON-CONNECTAMAJIG ROAD DISC



S900 HRD CALIPER

DB-S-900-A1

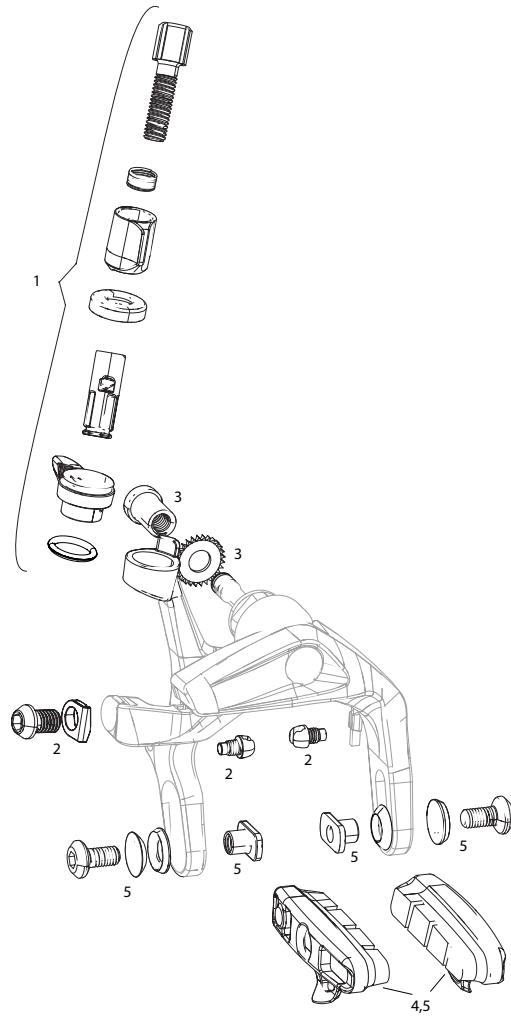


NO.	PART NUMBER	DESCRIPTION
1	11.5018.047.000	DISC BRAKE CALIPER ASSEMBLY S900 HRD FLAT MOUNT FRONT/REAR BLACK
2	11.5018.006.002	DISC BRAKE PAD H-SPRING - (QTY 2) MONOBLOCK - LEVEL ULTIMATE/TLM (A1) QTY 2
3	00.5318.010.002	DISC BRAKE PADS - ORGANIC/STEEL (QUIET) – MONOBLOCK - SRAM HYDRAULIC ROAD DISC, LEVEL ULTIMATE/TLM A1 (2017-2019)
3	00.5318.010.003	DISC BRAKE PADS - ORGANIC/ALUMINUM (QUIET/LIGHT) – MONOBLOCK – SRAM HYDRAULIC ROAD DISC, LEVEL ULTIMATE/TLM A1 (2017-2019)
3	00.5318.010.004	DISC BRAKE PADS - SINTERED/STEEL (POWERFUL) – MONOBLOCK - SRAM HYDRAULIC ROAD DISC, LEVEL ULTIMATE/TLM A1 (2017-2019)



SRAM RED 2013 - BRAKE CALIPER

RB-RED-B1 / RB-RED-B2

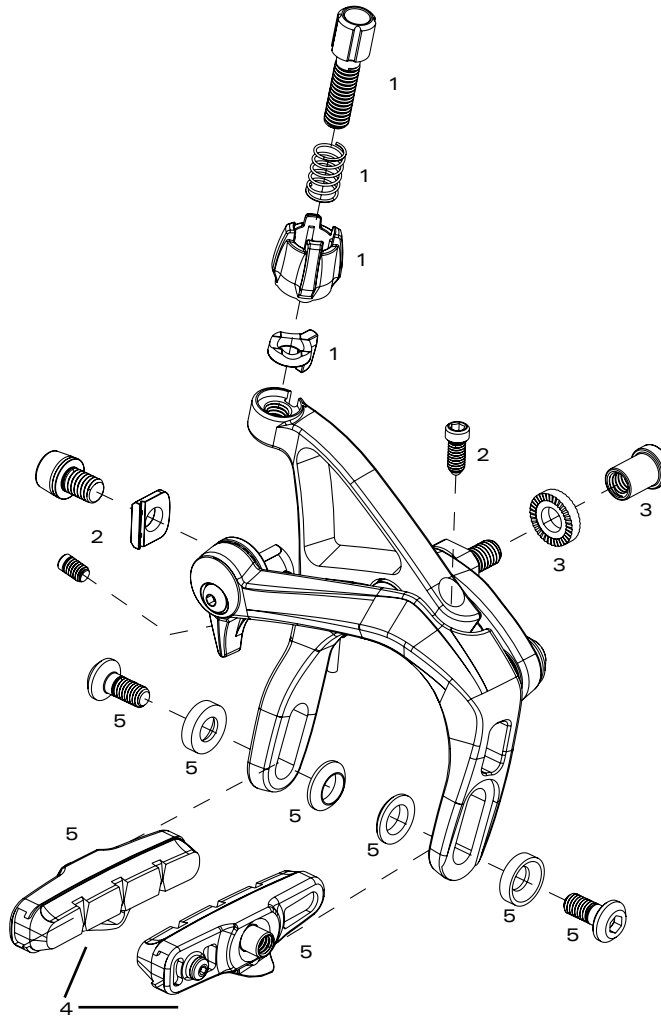


xNO.	PART NUMBER	DESCRIPTION
1	11.5118.000.000	RIM BRAKE BARREL ADJUSTER INCLUDING QR RED 13 AERO LINK QTY 1
2	11.5118.001.000	RIM BRAKE CLAMP BOLT AND ADJUSTER SPING RED 13 AERO LINK QTY 1
3	11.5415.018.000	RIM BRAKE CENTER NUT SET RED (12, 14, 16, 18, 20, 30MM)
4	11.5115.000.000	BRAKE PAD INSERT SRAM ROAD BLACK ALU RIM QTY 2
5	00.5315.013.050	BRAKE PAD/HOLDER RED 2012/RED BLACK PAIR



SRAM RED (2008-2011) - BRAKE CALIPER

RB-RED-A1



NO.	PART NUMBER	DESCRIPTION
1	11.5415.016.000	RIM BRAKE BARREL ADJUSTER RED 2011
2	11.5415.017.030	RIM BRAKE CABLE CLAMP BOLT AND ADJUSTER SCREWS APEX/RIVAL/FORCE QTY 1
3	11.5415.018.000	RIM BRAKE CENTER NUT SET RED (12, 14, 16, 18, 20, 30MM)
4	11.5115.000.000	BRAKE PAD INSERT SRAM ROAD BLACK ALU RIM QTY 2
4	11.5115.000.010	BRAKE PAD INSERT FOR CARBON RIM SRAM ROAD YELLOW QTY 2
5	00.5315.013.050	BRAKE PAD/HOLDER RED 2012/RED BLACK PAIR



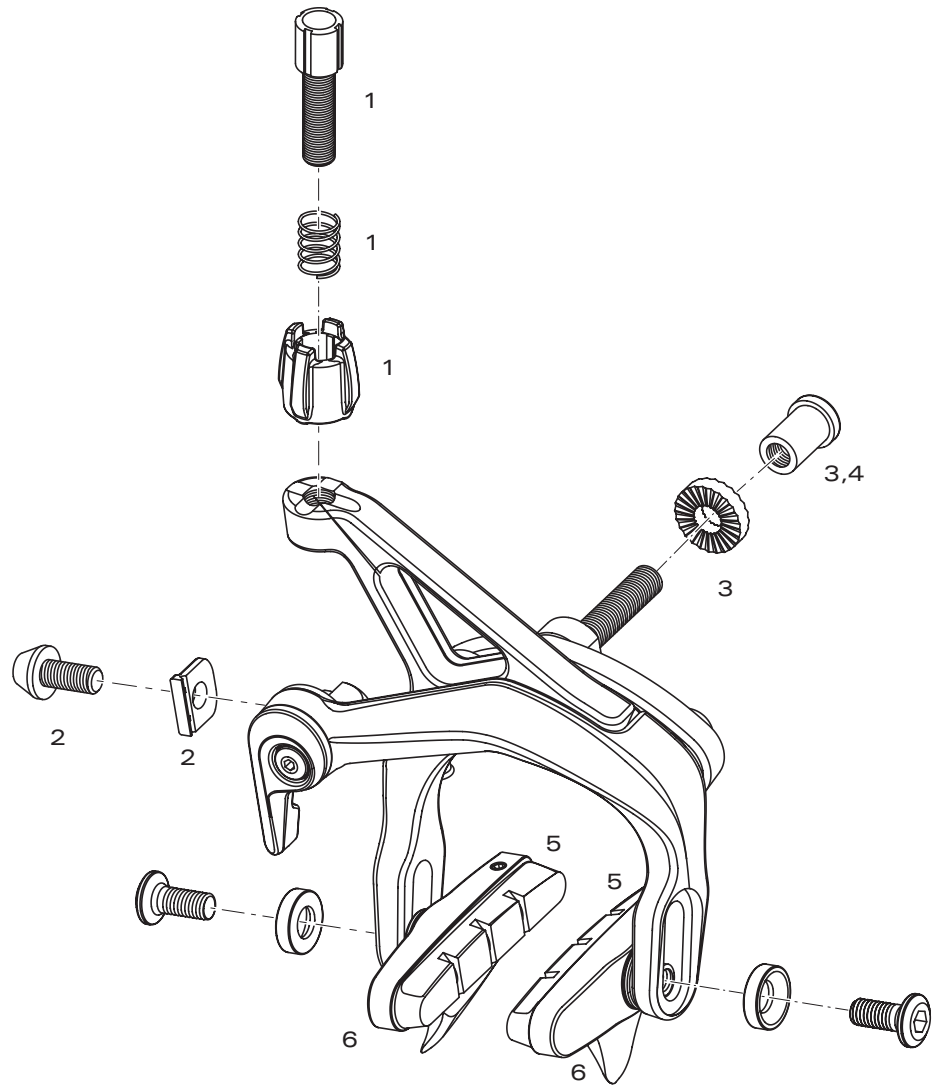
SRAM FORCE / SRAM RIVAL / SRAM APEX - BRAKE CALIPER (2007-2012)



RB-FRC-A1 / RB-APX-A1 / RB-RIV-A1

Check brake caliper before ordering. Threaded only compatible with threaded barrel adjusters.

Prüfen Sie vor einer Bestellung: hat die Aufnahme ein Gewinde, so ist nur die Einstellschraube mit Gewinde kompatibel.

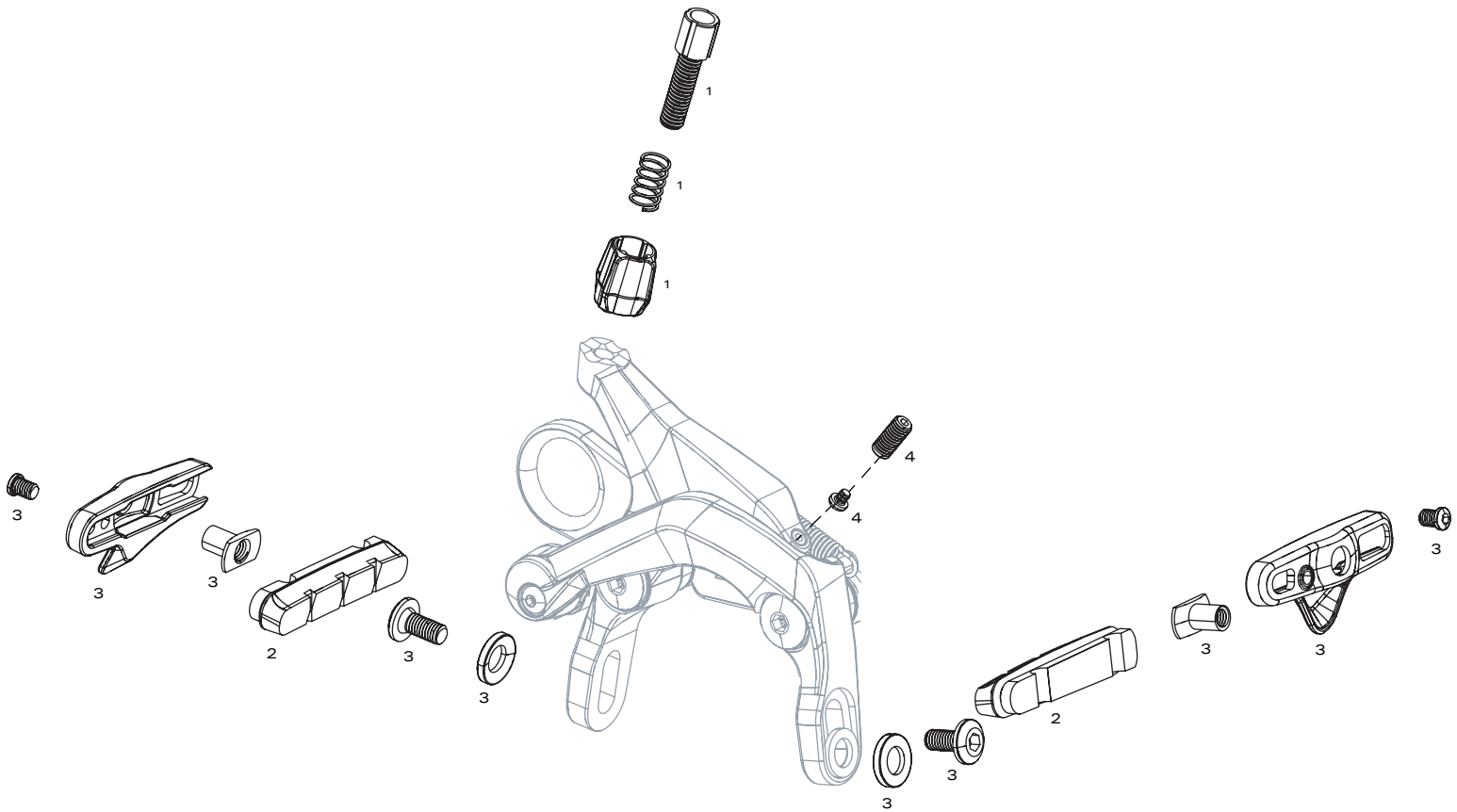


NO.	PART NUMBER	DESCRIPTION
1	11.5315.042.000	RIM BRAKE BARREL ADJUSTER THREADED APEX/RIVAL/FORCE QTY 1
1	11.5415.016.000	RIM BRAKE BARREL ADJUSTER RED 2011
2	11.5415.005.000	RIM BRAKE CABLE CLAMP BOLT RIVAL/09 FORCE, QTY 1
3	11.5415.006.000	RIM BRAKE CENTER NUT SET INCLUDING WASHERS RIVAL/FORCE F/R, QTY 1
4	11.5415.007.000	RIM BRAKE CENTER NUT SET RIVAL/FORCE (12, 16, 20, 30MM)
5	11.5115.000.000	BRAKE PAD INSERT SRAM ROAD BLACK ALU RIM QTY 2
6	00.5315.013.030	BRAKE PAD/HOLDER FORCE PAIR
6	00.5315.016.000	BRAKE PAD/HOLDER RIVAL BLACK PAIR
6	00.5315.016.010	BRAKE PAD/HOLDER APEX PAIR



SRAM S900 DIRECT MOUNT RIM BRAKE CALIPER

RB-S-900-A1



NO.	PART NUMBER	DESCRIPTION
1	11.5118.010.000	RIM BRAKE BARREL ADJUSTER KIT S900 DIRECT MOUNT
2	11.5118.012.000	AM RIM BRAKE PADS INSERT S900 DIRECT MOUNT CARBON PAIR
2	11.5118.012.001	AM RIM BRAKE PADS INSERT S900 DIRECT MOUNT ALU PAIR
3	11.5118.011.000	BRAKE PAD HOLDER FRONT L/R S900 DIRECT MOUNT
3	11.5118.011.001	BRAKE PAD HOLDER REAR L/R S900 DIRECT MOUNT
4	11.5118.013.000	RIM BRAKE CENTER SCREW S900 DIRECT MOUNT QTY2





PART NUMBER DESCRIPTION

DIRECT MOUNT

00.6218.016.000 CHAIN RING ROAD 48T DM X-SYNC AERO BLAST BLACK
 00.6218.016.001 CHAIN RING ROAD 50T DM X-SYNC AERO BLAST BLACK
 00.6218.017.000 CHAIN RING ROAD 4633T DM KIT NON-POWER RED POLAR GREY
 00.6218.017.001 CHAIN RING ROAD 4835T DM KIT NON-POWER RED POLAR GREY
 00.6218.017.002 CHAIN RING ROAD 5037T DM KIT NON-POWER RED POLAR GREY

107 BCD

00.6218.014.000 CHAIN RING ROAD 44T 107BCD X-SYNC BLAST BLACK
 00.6218.014.001 CHAIN RING ROAD 46T 107BCD X-SYNC BLAST BLACK
 00.6218.014.002 CHAIN RING ROAD 40T 107BCD X-SYNC POLAR GREY
 00.6218.014.003 CHAIN RING ROAD 42T 107BCD X-SYNC POLAR GREY
 00.6218.014.004 CHAIN RING ROAD 44T 107BCD X-SYNC POLAR GREY
 00.6218.014.005 CHAIN RING ROAD 46T 107BCD X-SYNC POLAR GREY
 00.6218.014.006 CHAIN RING ROAD 36T 107BCD X-SYNC BLAST BLACK
 00.6218.014.007 CHAIN RING ROAD 38T 107BCD X-SYNC BLAST BLACK
 00.6218.014.008 CHAIN RING ROAD 40T 107BCD X-SYNC BLAST BLACK
 00.6218.014.009 CHAIN RING ROAD 42T 107BCD X-SYNC BLAST BLACK
 00.6218.015.000 CHAIN RING ROAD 33T 107BCD 2X12 FORCE BLAST BLACK
 00.6218.015.001 CHAIN RING ROAD 35T 107BCD 2X12 FORCE BLAST BLACK
 00.6218.015.002 CHAIN RING ROAD 46T 107BCD 2X12 FORCE POLAR GREY WITH COVER PLATE
 00.6218.015.003 CHAIN RING ROAD 48T 107BCD 2X12 FORCE POLAR GREY WITH COVER PLATE

110 BCD

11.6215.197.020 CHAIN RING ROAD 34T V1 110 ALUM 3MM BLACK (50-34)
 11.6215.197.160 CHAIN RING ROAD 36T V3 110 ALUM 3MM BLACK (50-36, 52-36, 46-36)
 11.6215.197.150 CHAIN RING ROAD 38T V1 110 ALUM 3MM BLACK (52-38)
 11.6215.197.080 CHAIN RING ROAD 48T 110 V2 ALUMINUM 4MM BLACK BB30 SHORT PIN (48 34)
 11.6215.197.090 CHAIN RING ROAD 48T 110 V2 ALUMINUM 4MM BLACK GXP LONG PIN (48-34)
 11.6215.036.000 CHAIN RING ROAD 50T 110 A V3 STEEL MATTE BLACK (50-36)
 11.6215.197.050 CHAIN RING ROAD 50T 110 A V4 ALUMINUM 4MM BLACK (50-36)
 11.6215.197.060 CHAIN RING ROAD 50T 110 B V2 ALUMINUM 4MM BLACK (50-34)
 11.6218.010.001 CHAIN RING ROAD FORCE22 X-GLIDE R 50T YAW 11 SPEED S3 HIDDENBOLT/NON HIDDEN BOLT 110 ALUM 5MM BLAST BLACK BB30 OR GXP (50-34)
 11.6215.198.010 CHAIN RING ROAD RED 50T S1 110 ALUM 4MM BLACK(50-34)
 11.6215.198.050 CHAIN RING ROAD RED 52T S1 110 ALUM 4MM BLACK (52-36, 52-38)
 11.6218.031.010 CHAIN RING ROAD RED B2 X-GLIDE 50T YAW 11 SPEED S3 110 ALUM 5MM BLAST BLACK 2-PIN (50-34)
 11.6218.031.000 CHAIN RING ROAD RED B2 X-GLIDE 52T YAW 11 SPEED S2 110 ALUM 5MM BLAST BLACK 2-PIN (52-36)
 11.6218.001.001 CHAIN RING ROAD RED2012 X-GLIDE R 34T YAW 10 SPEED S1 110 ALUM 3MM BLASTBLACK (50-34)
 11.6218.010.000 CHAIN RING ROAD RED22 X-GLIDE R 50T YAW 11 SPEED S3 HIDDEN BOLT/NON-HIDDEN BOLT 110 ALUM 5MM FALCON GREY BB30 OR GXP (50 34)
 11.6218.010.008 CHAIN RING ROAD RED22/FORCE22/RIVAL22 X-GLIDE R 34T YAW 11 SPEED S2 110 ALUM 3MM BLAST BLACK (50-34)
 11.6218.010.009 CHAIN RING ROAD RED22/FORCE22/RIVAL22 X-GLIDE R 36T YAW 11 SPEED S1 110 ALUM 3MM BLAST BLACK (52-36, 46-36)
 11.6218.016.001 CHAIN RING ROAD RIVAL22 X-GLIDE R 50T YAW 11 SPEED S3 HIDDENBOLT/NON-HIDDEN BOLT 110 ALUM 5MM SILVER BB30 OR GXP (50-34)
 11.6218.010.002 CHAIN RING ROAD X-GLIDE R 46T YAW 11 SPEED S2 HIDDEN BOLT/NON/HIDDEN BOLT 110 ALUM 5MM BLAST BLACK BB30 OR GXP (46/36)
 11.6218.016.000 CHAIN RING ROAD X-GLIDE R 52T YAW 11 SPEED S2 HIDDEN BOLT/NON-HIDDEN BOLT 110 ALUM 5MM SILVER BB30 OR GXP (52-36)

[More chain rings see next page](#)



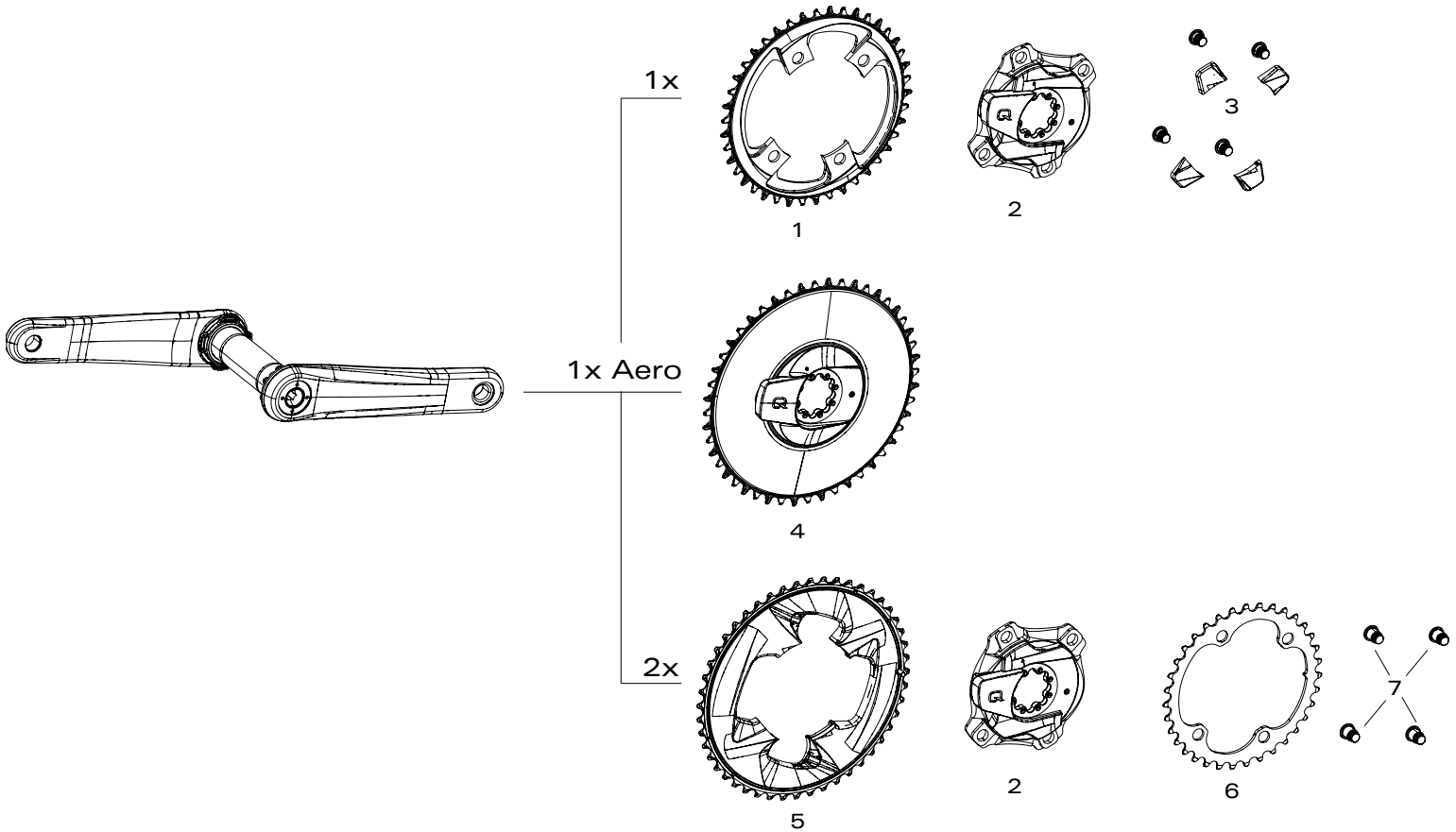


PART NUMBER	DESCRIPTION
<u>110 BCD</u>	
11.6218.015.000	CHAIN RING X-SYNC 38T 11 SPEED 110 ALUM ARGON GREY BB30 OR GXP
11.6218.019.002	CHAIN RING X-SYNC 38T 11 SPEED 110 ALUM BLACK BB30 OR GXP
11.6218.015.001	CHAIN RING X-SYNC 40T 11 SPEED 110 ALUM ARGON GREY BB30 OR GXP
11.6218.019.003	CHAIN RING X-SYNC 40T 11 SPEED 110 ALUM BLACK BB30 OR GXP
11.6218.037.000	CHAIN RING X-SYNC 40T 11 SPEED APEX1 ASYMMETRIC 110BCD ALUM BLACK BB30 OR GXP
11.6218.015.002	CHAIN RING X-SYNC 42T 11 SPEED 110 ALUM ARGON GREY BB30 OR GXP
11.6218.019.004	CHAIN RING X-SYNC 42T 11 SPEED 110 ALUM BLACK BB30 OR GXP
11.6218.037.010	CHAIN RING X-SYNC 42T 11 SPEED APEX1 ASYMMETRIC 110BCD ALUM BLACK BB30 OR GXP
11.6218.015.003	CHAIN RING X-SYNC 44T 11 SPEED 110 ALUM ARGON GREY BB30 OR GXP
11.6218.019.005	CHAIN RING X-SYNC 44T 11 SPEED 110 ALUM BLACK BB30 OR GXP
11.6218.037.020	CHAIN RING X-SYNC 44T 11 SPEED APEX1 ASYMMETRIC 110BCD ALUM BLACK BB30 OR GXP
11.6218.015.004	CHAIN RING X-SYNC 46T 11 SPEED 110 ALUM ARGON GREY BB30 OR GXP
11.6218.019.006	CHAIN RING X-SYNC 46T 11 SPEED 110 ALUM BLACK BB30 OR GXP
11.6218.019.000	CHAIN RING X-SYNC 48T 11 SPEED 110 ALUM BLACK BB30 OR GXP
11.6218.015.006	CHAIN RING X-SYNC 50T 11 SPEED 110 ALUM ARGON GREY BB30 OR GXP
11.6218.019.001	CHAIN RING X-SYNC 50T 11 SPEED 110 ALUM BLACK BB30 OR GXP
<u>130 BCD</u>	
11.6215.197.130	CHAIN RING ROAD 39T 130 V4 TRIPLE ALUMINUM 3MM BLACK (52-39-30, 50-39-30)
11.6215.197.010	CHAIN RING ROAD 39T V2 130 ALUM 3MM BLACK (53-39, 48-39)
11.6215.153.000	CHAIN RING ROAD 42T 130 TRIPLE V3 STEEL MATTE BLACK (52-42-30)
11.6215.197.110	CHAIN RING ROAD 48T 130 SS TRACK V1 AL3 BLACK
11.6215.197.070	CHAIN RING ROAD 50T 130 TRIPLE V1 ALUMINUM 4MM BLACK (50-39-30)
11.6215.104.000	CHAIN RING ROAD 52T 130 TRIPLE V2 STEEL MATTE BLACK (52-42-30)
11.6215.197.030	CHAIN RING ROAD 53T 130 V4 ALUMINUM 4MM BLACK
11.6215.197.000	CHAIN RING ROAD AERO 42T B 10 OR 11 SPEED V4 130 ALUM 3MM BLACK (55-42, 54-42)
11.6218.009.001	CHAIN RING ROAD FORCE22 X-GLIDE R 53T YAW 11 SPEED S3 HIDDENBOLT/NON HIDDEN BOLT 130 ALUM 5MM BLAST BLACK BB30 OR GXP(53-39)
11.6215.198.000	CHAIN RING ROAD RED 53T S1 130 ALUM 4MM BLACK (53-39)
11.6218.032.000	CHAIN RING ROAD RED B2 X-GLIDE 53T YAW 11 SPEED S3 130 ALUM 5MM BLAST BLACK 2-PIN (53-39)
11.6215.198.040	CHAIN RING ROAD RED TT 55T S1 NON-HIDDEN BOLT 130 ALUM 4MM BLACK (55-42)
11.6218.000.001	CHAIN RING ROAD RED2012 X-GLIDE R 39T YAW 10 SPEED S1 130 ALUM 3MM BLASTBLACK (53-39)
11.6218.000.000	CHAIN RING ROAD RED2012 X-GLIDE R 53T YAW 10-SPEED S2 HIDDENBOLT 130 ALUM 5MM FALCON GREY (53-39)
11.6218.009.000	CHAIN RING ROAD RED22 X-GLIDE R 53T YAW 11 SPEED S3 HIDDEN BOLT/NON-HIDDEN BOLT 130 ALUM 5MM FALCON GREY BB30 OR GXP (53 39)
11.6218.009.005	CHAIN RING ROAD RED22/FORCE22 X-GLIDE R 39T YAW 11 SPEED S2130 ALUM 3MM BLAST BLACK (53-39)
11.6218.002.000	CHAIN RING ROAD X-GLIDE R 53T YAW 10 SPEED S2 NON-HIDDEN BOLT 130 ALUM 5MM FALCON GREY (53-39)
11.6218.020.000	CHAIN RING X-SYNC 52T 11 SPEED 130 ALUM ARGON GREY BB30 OR GXP
11.6218.020.001	CHAIN RING X-SYNC 54T 11 SPEED 130 ALUM ARGON GREY BB30 OR GXP
<u>144 BCD</u>	
11.6215.197.100	CHAIN RING ROAD 48T 144 V1 TRACK OMNIUM ALUMINUM 5MM BLACK



CHAINRINGS FORCE 1x / 2x POWERMETER AXS

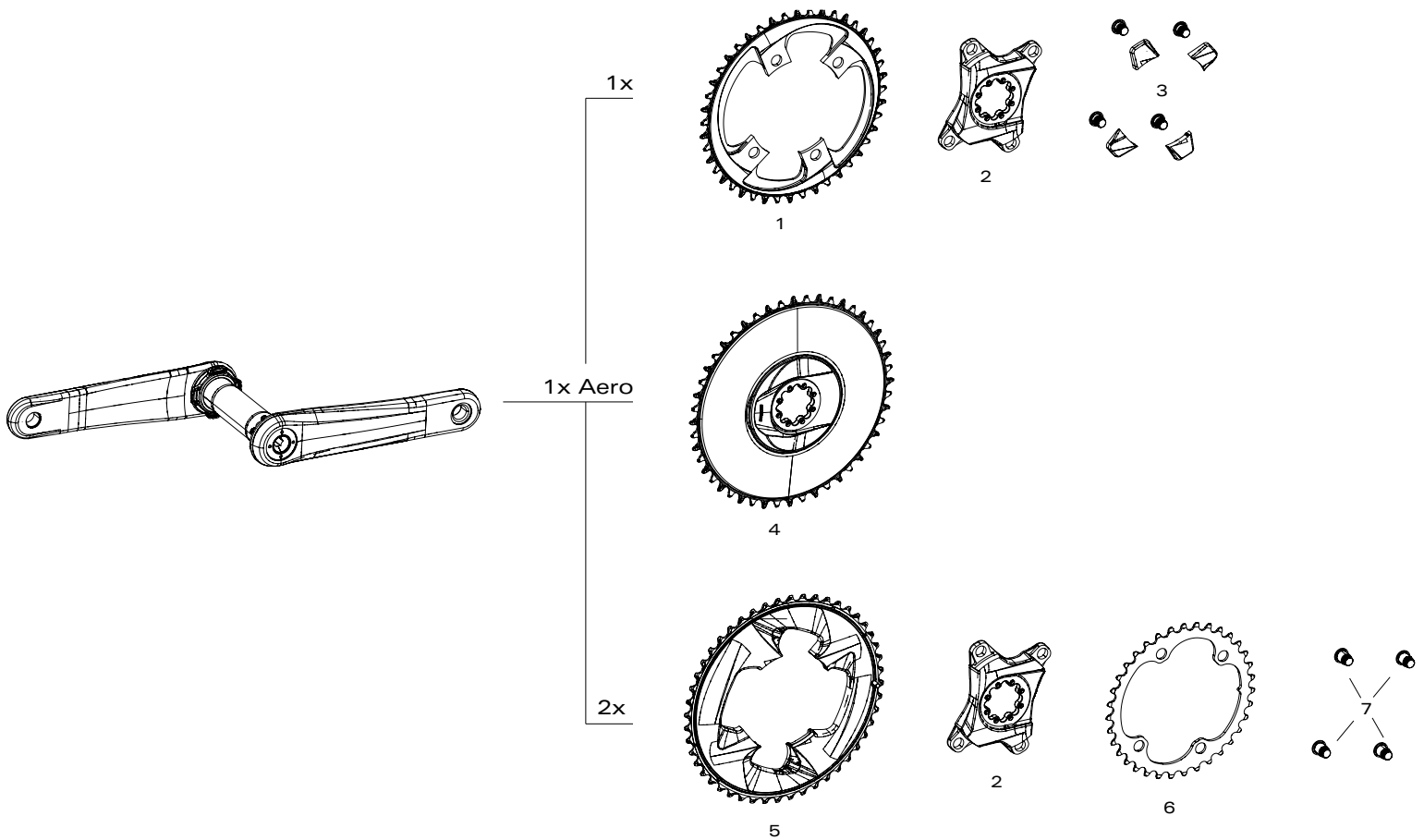
PM-FRC-1-D1 PM-FRC-D1



NO.	PART NUMBER	DESCRIPTION
1	00.6218.014.006	CHAIN RING ROAD 36T 107BCD X-SYNC BLAST BLACK
1	00.6218.014.007	CHAIN RING ROAD 38T 107BCD X-SYNC BLAST BLACK
1	00.6218.014.008	CHAIN RING ROAD 40T 107BCD X-SYNC BLAST BLACK
1	00.6218.014.009	CHAIN RING ROAD 42T 107BCD X-SYNC BLAST BLACK
1	00.6218.014.000	CHAIN RING ROAD 44T 107BCD X-SYNC BLAST BLACK
1	00.6218.014.001	CHAIN RING ROAD 46T 107BCD X-SYNC BLAST BLACK
2	00.3018.229.000	POWMETER SPIDER RED/FORCE AXS D1 107BCD
3	11.6918.004.001	CRANK CHAINRING BOLT KIT 4-ARM 1X RED/FORCE AXS D1 ALUMINUM BLACK
4	00.3018.227.000	POWMETER KIT DM 48T RED/FORCE AXS D1 AERO BLACK (POWMETER INCLUDING CHAINRING)
4	00.3018.227.001	POWMETER KIT DM 50T RED/FORCE AXS D1 AERO BLACK (POWMETER INCLUDING CHAINRING)
4	00.3018.227.002	POWMETER KIT DM 52T RED/FORCE AXS D1 AERO BLACK (POWMETER INCLUDING CHAINRING)
5	00.6218.015.002	CHAIN RING ROAD 46T 107BCD 2X12 FORCE POLAR GREY WITH COVER PLATE
5	00.6218.015.003	CHAIN RING ROAD 48T 107BCD 2X12 FORCE POLAR GREY WITH COVER PLATE
6	00.6218.015.000	CHAIN RING ROAD 33T 107BCD 2X12 FORCE BLAST BLACK
6	00.6218.015.001	CHAIN RING ROAD 35T 107BCD 2X12 FORCE BLAST BLACK
7	11.6918.004.000	CRANK CHAINRING BOLT KIT 4-ARM FORCE 2X 107 BCD CRANKS D1 ALUMINUM BLACK
ns	11.3018.010.000	POWMETER BATTERY LID AND COVER QUARQ RED FORCE ETAP AXS

CHAINRINGS FORCE 1x / 2x NON-POWER

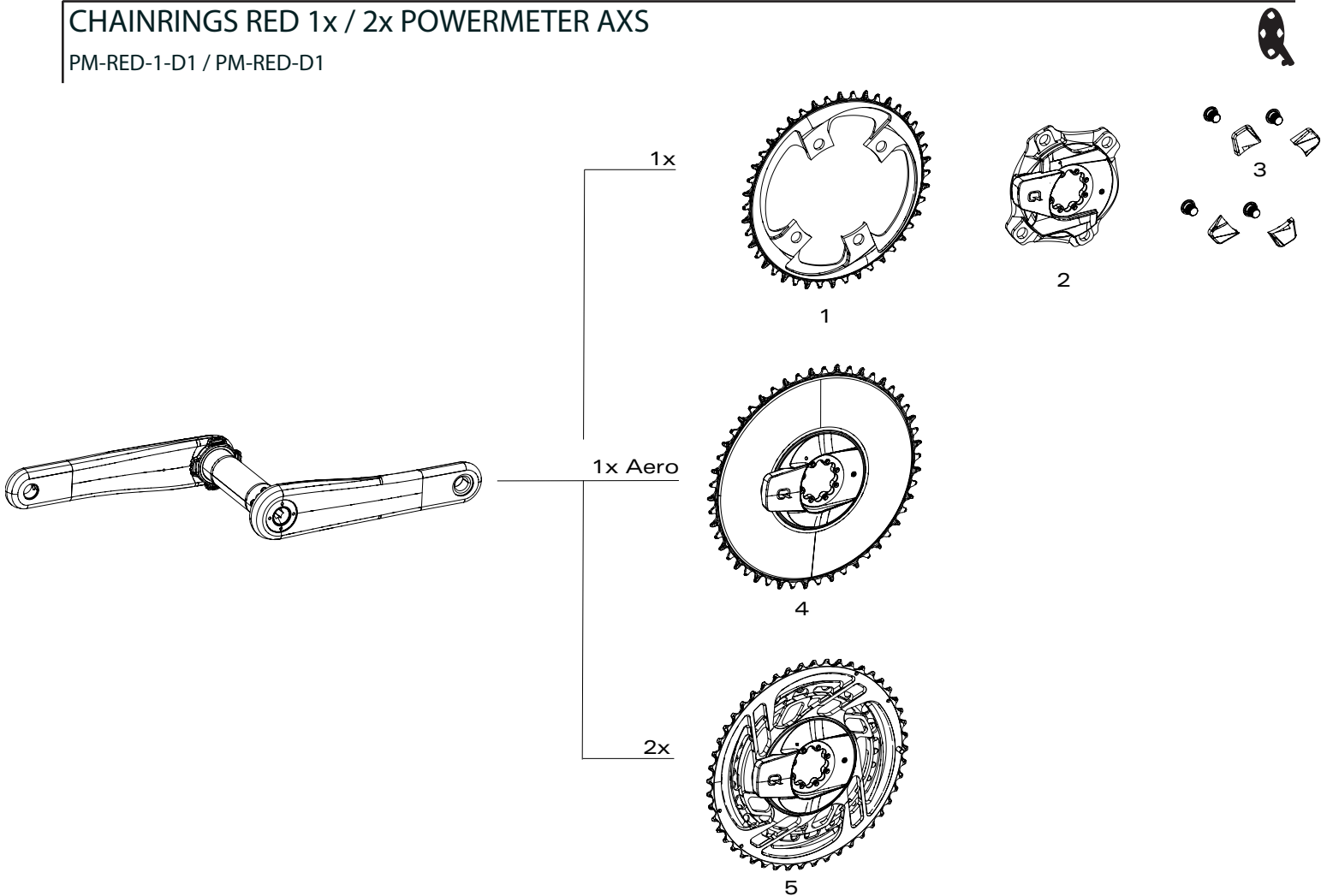
FC-FRC-1-D1 / FC-FRC-D1



NO.	PART NUMBER	DESCRIPTION
1	00.6218.014.006	CHAIN RING ROAD 36T 107BCD X-SYNC BLAST BLACK
1	00.6218.014.007	CHAIN RING ROAD 38T 107BCD X-SYNC BLAST BLACK
1	00.6218.014.008	CHAIN RING ROAD 40T 107BCD X-SYNC BLAST BLACK
1	00.6218.014.009	CHAIN RING ROAD 42T 107BCD X-SYNC BLAST BLACK
1	00.6218.014.000	CHAIN RING ROAD 44T 107BCD X-SYNC BLAST BLACK
1	00.6218.014.001	CHAIN RING ROAD 46T 107BCD X-SYNC BLAST BLACK
2	11.6118.062.000	CRANK SPIDER RED/FORCE D1 107BCD (NO POWER METER, INCLUDING 8 TORX MOUNTING BOLTS)
3	11.6918.004.001	CRANK CHAINRING BOLT KIT 4-ARM 1X RED/FORCE AXS D1 ALUMINUM BLACK
4	00.6218.016.000	CHAIN RING ROAD 48T DM X-SYNC AERO BLAST BLACK
4	00.6218.016.001	CHAIN RING ROAD 50T DM X-SYNC AERO BLAST BLACK
5	00.6218.015.002	CHAIN RING ROAD 46T 107BCD 2X12 FORCE POLAR GREY WITH COVERPLATE
5	00.6218.015.003	CHAIN RING ROAD 48T 107BCD 2X12 FORCE POLAR GREY WITH COVERPLATE
6	00.6218.015.000	CHAIN RING ROAD 33T 107BCD 2X12 FORCE BLAST BLACK
6	00.6218.015.001	CHAIN RING ROAD 35T 107BCD 2x12 FORCE BLAST BLACK
7	11.6918.004.000	CRANK CHAINRING BOLT KIT 4-ARM FORCE 2X 107 BCD CRANKS D1 ALUMINUM BLACK

CHAINRINGS RED 1x / 2x POWERMETER AXS

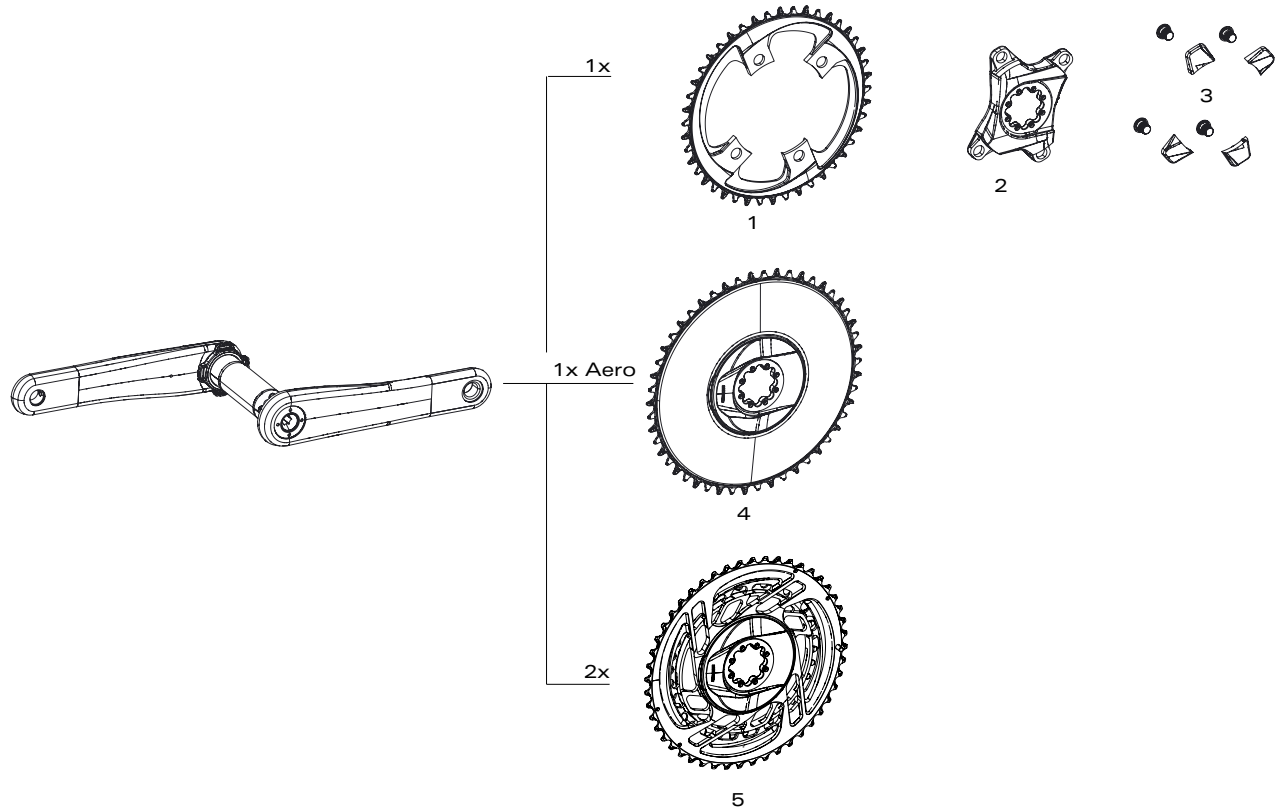
PM-RED-1-D1 / PM-RED-D1



NO.	PART NUMBER	DESCRIPTION
1	00.6218.014.002	CHAIN RING ROAD 40T 107BCD X-SYNC POLAR GREY
1	00.6218.014.003	CHAIN RING ROAD 42T 107BCD X-SYNC POLAR GREY
1	00.6218.014.004	CHAIN RING ROAD 44T 107BCD X-SYNC POLAR GREY
1	00.6218.014.005	CHAIN RING ROAD 46T 107BCD X-SYNC POLAR GREY
2	11.6118.062.000	CRANK SPIDER RED/FORCE D1 107BCD (NO POWER METER, INCLUDING 8 TORX MOUNTING BOLTS)
3	11.6918.004.001	CRANK CHAINRING BOLT KIT 4-ARM 1X RED/FORCE AXS D1 ALUMINUM BLACK
4	00.3018.227.000	POWERMETER KIT DM 48T RED/FORCE AXS D1 AERO BLACK (POWERMETER INCLUDING CHAINRING)
4	00.3018.227.001	POWERMETER KIT DM 50T RED/FORCE AXS D1 AERO BLACK (POWERMETER INCLUDING CHAINRING)
4	00.3018.227.002	POWERMETER KIT DM 52T RED/FORCE AXS D1 AERO BLACK (POWERMETER INCLUDING CHAINRING)
5	00.3018.228.000	POWERMETER KIT DM 4633T RED AXS D1 POLAR GREY (POWERMETER INCLUDING CHAINRINGS)
5	00.3018.228.001	POWERMETER KIT DM 4835T RED AXS D1 POLAR GREY (POWERMETER INCLUDING CHAINRINGS)
5	00.3018.228.002	POWERMETER KIT DM 5037T RED AXS D1 POLAR GREY (POWERMETER INCLUDING CHAINRINGS)
ns	11.3018.010.000	POWERMETER BATTERY LID AND COVER QUARQ RED FORCE ETAP AXS

CHAINRINGS RED 1x / 2x NON-POWER

FC-RED-1-D1 / FC-RED-D1



NO.	PART NUMBER	DESCRIPTION
1	00.6218.014.002	CHAIN RING ROAD 40T 107BCD X-SYNC POLAR GREY
1	00.6218.014.003	CHAIN RING ROAD 42T 107BCD X-SYNC POLAR GREY
1	00.6218.014.004	CHAIN RING ROAD 44T 107BCD X-SYNC POLAR GREY
1	00.6218.014.005	CHAIN RING ROAD 46T 107BCD X-SYNC POLAR GREY
2	11.6118.062.000	CRANK SPIDER RED/FORCE D1 107BCD (NO POWER METER, INCLUDING 8 TORX MOUNTING BOLTS)
3	11.6918.004.001	CRANK CHAINRING BOLT KIT 4-ARM 1X RED/FORCE AXS D1 ALUMINUM BLACK
4	00.6218.016.000	CHAIN RING ROAD 48T DM X-SYNC AERO BLAST BLACK
4	00.6218.016.001	CHAIN RING ROAD 50T DM X-SYNC AERO BLAST BLACK
5	00.6218.017.000	CHAIN RING ROAD 4633T DM KIT NON-POWER RED POLAR GREY
5	00.6218.017.001	CHAIN RING ROAD 4835T DM KIT NON-POWER RED POLAR GREY
5	00.6218.017.002	CHAIN RING ROAD 5037T DM KIT NON-POWER RED POLAR GREY

CRANK (CHAIN RING) BOLTS, SPIDER, GUARDS

CRANK

PART NUMBER	DESCRIPTION
11.6918.000.000	CRANK CHAINRING BOLT KIT RED QUARQ HIDDEN BOLT 5-ARM STEEL BLACK
11.6918.000.001	CRANK CHAINRING BOLT KIT RED HIDDEN BOLT 5/ARM ALUMINUM BLACK
11.6915.009.000	CRANK CHAINRING BOLT KIT 5-ARM DOUBLE ALUMINUM BLACK
11.6915.008.000	CRANK CHAINRING BOLT KIT 5-ARM DOUBLE ALUMINUM SILVER
11.6915.012.000	CRANK CHAINRING BOLT KIT 5 STEEL/BLACK
11.6918.004.000	CRANK CHAINRING BOLT KIT 4-ARM FORCE 2X 107 BCD CRANKS D1 ALUMINUM BLACK
11.6918.004.001	CRANK CHAINRING BOLT KIT 4-ARM 1X RED/FORCE AXS D1 ALUMINUM BLACK
11.6918.006.000	CRANK CHAINRING BOLT KIT 4-ARM LONG STEEL BLACK EMTB (104BCD)
11.6918.007.000	CRANK CHAINRING BOLT KIT 4-ARM E-BIKE BOSCH/FAZUA M10X0.75 T30
11.6918.007.001	CRANK CHAINRING BOLT KIT 4-ARM E-BIKE SBC MAHLE M10X0.75 T30 (INCLUDING SPIDER ADJUSTMENT SCREW)
11.6218.017.000	CRANK CHAINRING SPACERS (QTY 5) INCLUDING HIDDEN BOLT/NUT KIT FOR FORCE 1 CHAINRING
11.6900.002.160	CRANK ARM BOLT KIT M15/M26 ALLOY SELF-EXTRACTING GXP BLACK QTY 1
11.6900.002.140	CRANK ARM BOLT KIT M15/M26 ALLOY SELF-EXTRACTING GXP SILVER QTY 1
11.6115.115.000	CRANK ARM BOLT KIT M8 CAPLESS QTY 2 FOR SQUARE-TAPER & POWERSPLINE
11.6900.002.050	CRANK ARM BOLT KIT M15 CAPLESS QTY 2 FOR ISIS & HWTZR M15
11.6115.530.050	CRANK ARM BOLT KIT M18/M30 ALLOY SELF-EXTRACTING BB30 LEFT (BLACK RED, FORCE) QTY 1
11.6915.027.000	CRANK ARM BOLT KIT M15/M22 ALLOY SELF-EXTRACTING GXP QTY 1
11.6115.530.080	CRANK ARM BOLT KIT SELF EXTRACTING M15/M22 GXP BLACK
11.6118.033.000	CRANK SPIDER FORCE22/FORCE 1 110 11SPEED BLAST BLACK
11.6118.033.001	CRANK SPIDER FORCE22/FORCE 1 130 11SPEED BLAST BLACK
11.6118.062.000	CRANK SPIDER RED/FORCE D1 107BCD (NO POWER METER, INCLUDING 8 TORX MOUNTING BOLTS)
11.6118.064.000	CRANK SPIDER BOSCH GEN4 107BCD (NO CHAIN RING, INCLUDING CHAINRING BOLTS)
11.6118.064.001	CRANK SPIDER FAZUA 107BCD (NO CHAIN RING, INCLUDING CHAINRING BOLTS)
11.6118.064.002	CRANK SPIDER SBC MAHLE 107BCD (NO CHAIN RING, INCLUDING CHAINRING BOLTS AND SPIDER ADJUSTMENT SCREW)
11.6215.195.000	CRANK AERO GUARD VIA 48T CLEAR SMOKE+
11.6315.003.000	CRANK AERO GUARD 48T 45DEGREE BLACK
11.6315.005.000	CRANK AERO GUARD 48T 68DEGREE BLACK
11.6315.007.000	CRANK AERO GUARD 42-44T BLACK
11.6218.044.000	CRANK AEROGUARD 38T/36T BOSCH GEN4 DM EAGLE
OTHER	
11.6700.002.010	PEDAL WASHERS CHROMO, QTY 2
11.3018.010.000	POWERMETER BATTERY LID AND COVER QUARQ RED FORCE ETAP AXS



CASSETTE, BOTTOM BRACKETS - ROAD

CASSETTES

PART NUMBER	DESCRIPTION
11.2418.000.002	CASSETTE STEALTH RING SET XG1090 X-DOME 11-28
11.2415.013.000	CASSETTE LOCKRING ALUMINUM OG1070, PG970 FOR 12T
11.2415.027.010	CASSETTE LOCKRING STEEL PG1050, PG950 12T
11.2418.002.000	CASSETTE LOCKRING ALUMINUM XG1190 11T
11.2418.005.000	CASSETTE REPLACEABLE COGS XG-899 11T-13T-15T INCLUDING CASSETTE LOCKRING
11.2418.007.000	CASSETTE STEALTH RING SET XG1270 FORCE 10-11-12T (INCLUDE 2 DAMPERINGS OF EACH SIZE)

BOTTOM BRACKETS

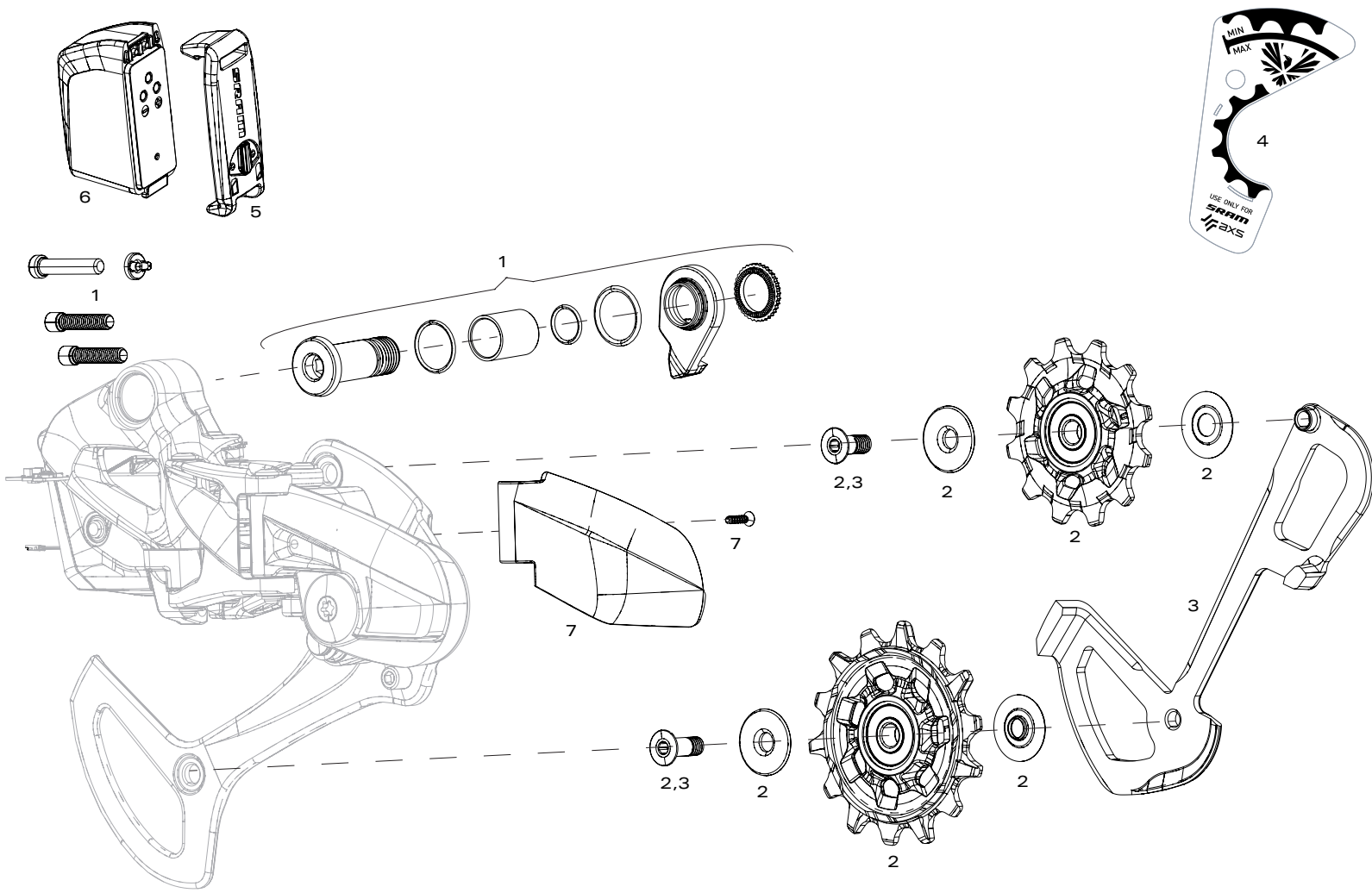
PART NUMBER	DESCRIPTION
11.6415.007.000	BOTTOM BRACKET SHIELD AND WAVE WASHER ASSEMBLY PRESSFIT GXP ROAD
11.6415.007.020	BOTTOM BRACKET SHIELD AND WAVE WASHER ASSEMBLY BB30 BEARING
11.6115.533.000	BOTTOM BRACKET SPINDLE SPACER BB30 - DRIVE SIDE 13
11.6415.005.000	BOTTOM BRACKET BB30 SPACER KIT 2 X 2.5MM
11.6415.003.000	BOTTOM BRACKET BB30 SHIM AND WAVE WASHER KIT
11.6118.054.000	BOTTOM BRACKET SPINDLE SPACER KIT FORCE, RIVAL, APEX, QUARQ, S-SERIES ROAD BB30 TO BB386
11.6415.001.000	BOTTOM BRACKET BEARING ADJUSTER BB30 PRESSFIT 30
00.6415.032.020	BB30 BEARING INSTALL KIT
00.6415.032.030	BB30 BEARING REMOVAL TOOL
00.6415.049.010	PRESSFIT 30 TO BSA ADAPTER, 68 OR 73MM
00.6415.049.020	PRESSFIT 30 TO BSA ADAPTER, 83MM
00.6415.032.040	BB30 TO BSA ADAPTOR KIT WITHOUT TOOLS
00.6415.027.000	BB AMERICAN-TO-EURO BMX ADAPTER
11.6400.006.000	GXP/HOWITZER TOOL
11.6400.005.000	BB ISIS DRIVE TOOL
11.6418.002.001	BOTTOM BRACKET SPACER KIT DUB MTB/ROAD V2 (DUB SPACERS 2.0, 2.5, 3.0, 4.5, 5.5, 6.0, 6.5, 9.0MM AND 2 STANDARD BB SPACERS)
11.6418.001.001	BOTTOM BRACKET PRELOAD ADJUSTER KIT DUB (INCLUDING SCREW, OUTERRING AND 2 INNERRINGS NON-FLANGED & FLANGED)





XX1 / X01 EAGLE AXS REAR DERAILLEUR

RD-XX-1E-A1 / RD-X0-1E-A1



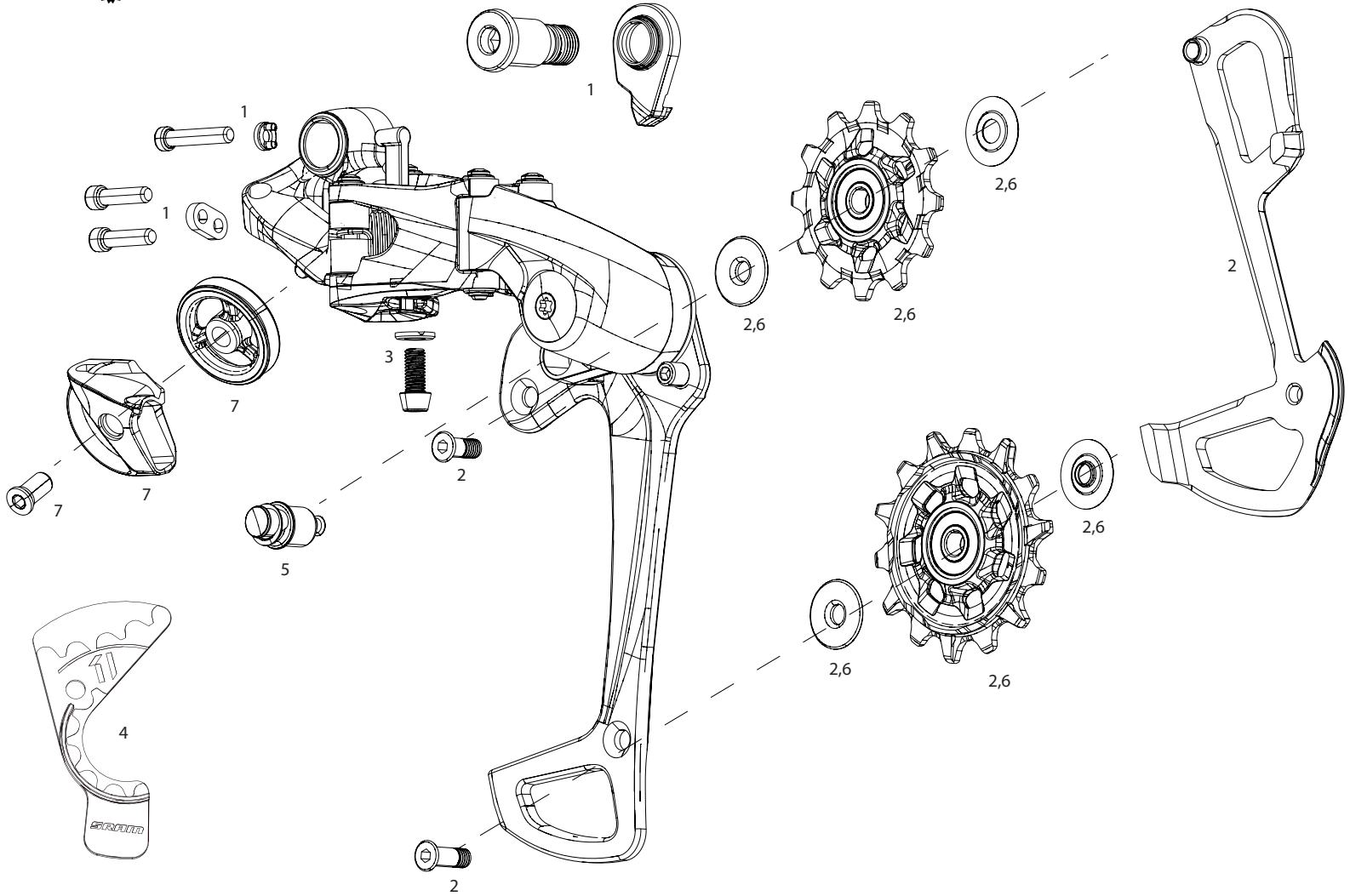
NO.	PART NUMBER	DESCRIPTION
1	11.7518.092.000	REAR DERAILLEUR BOLT AND SCREW KIT XX1 EAGLE AXS (B-BOLT/WASHER, B-SCREW AND LIMIT SCREWS)
1	11.7518.092.001	REAR DERAILLEUR BOLT AND SCREW KIT X01 EAGLE AXS (B-BOLT/WASHER, B-SCREW AND LIMIT SCREWS)
2	00.7518.103.000	XX1/X01 EAGLE REAR DERAILLEUR PULLEYS X-SYNC
3	11.7518.092.002	REAR DERAILLEUR INNER CAGE XX1 EAGLE AXS LUNAR INCLUDING SCREWS
3	11.7518.092.003	REAR DERAILLEUR INNER CAGE X01 EAGLE AXS POLAR INCLUDING SCREWS
4	11.7518.095.000	REAR DERAILLEUR CHAINGAP ADJUSTMENT GAUGE EAGLE AXS
5	11.7618.006.000	ETAP BATTERY TERMINAL COVER FRONT/REAR DERAILLEUR/REVERB AXS QTY 1
6	00.3018.102.000	SRAM ETAP/AXS BATTERY QTY 1
7	11.7518.097.000	REAR DERAILLEUR COVER KIT CLUTCH INCLUDING SCREW XX1 EAGLE
7	11.7518.097.001	REAR DERAILLEUR COVER KIT CLUTCH INCLUDING SCREW X01 EAGLE
ns	00.3018.117.000	SRAM ETAP BATTERY CHARGER AND CORD





SRAM XX1 / X01 EAGLE - REAR DERAILLEUR

RD-XX-1-B1 / RD-X0-1-B1 / RD-XX-1-B2 / RD-X0-1-B2



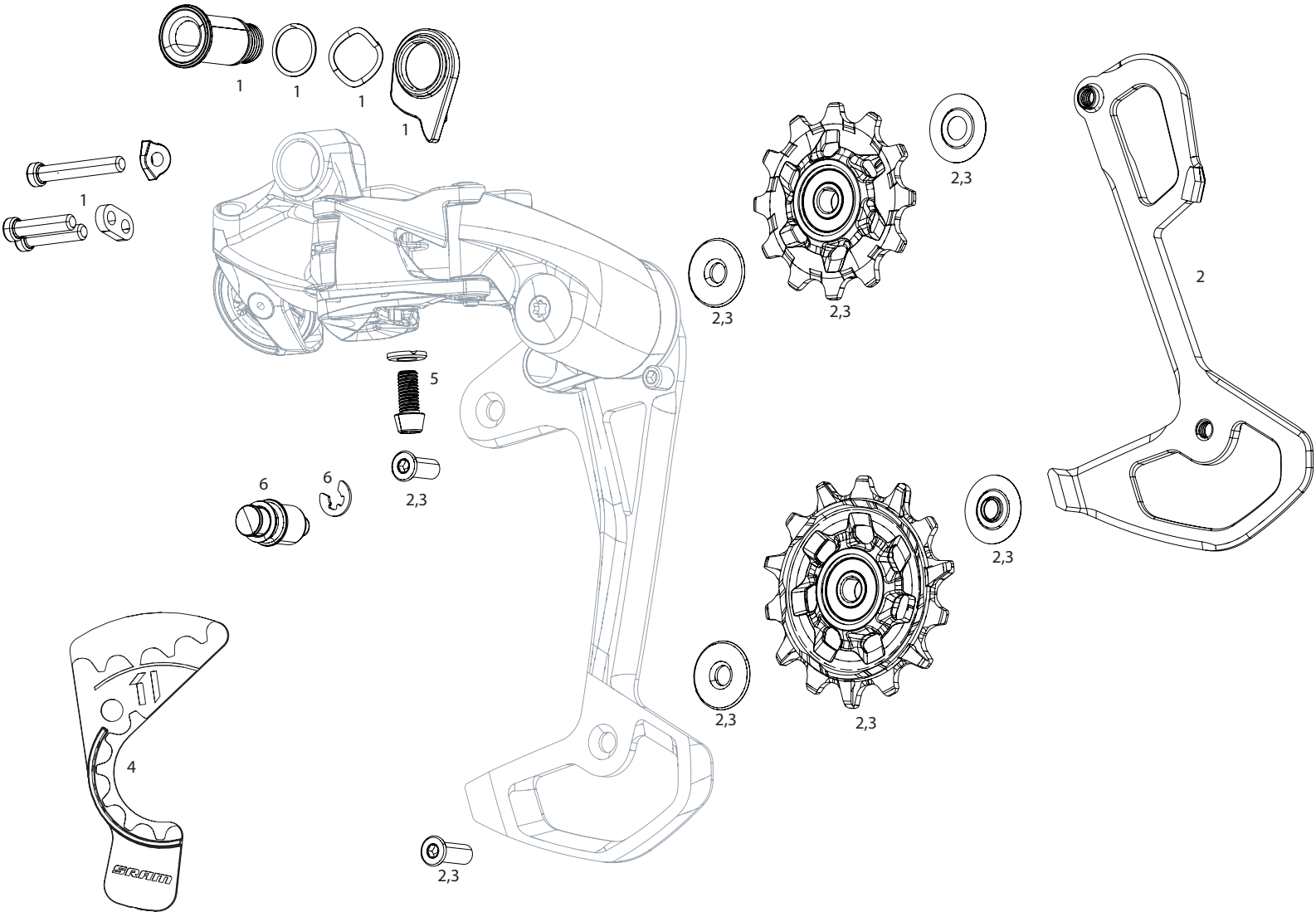
NO.	PART NUMBER	DESCRIPTION
1	11.7518.076.000	REAR DERAILLEUR B-BOLT AND LIMIT SCREW KIT XX1 EAGLE GOLD HEX5
1	11.7518.076.010	REAR DERAILLEUR B-BOLT AND LIMIT SCREW KIT XX1/X1 EAGLE BLACK HEX5
1	11.7518.080.000	REAR DERAILLEUR B-BOLT AND LIMIT SCREW KIT X01 EAGLE HEX5
2	11.7518.077.000	REAR DERAILLEUR PULLEY AND INNER CAGE XX1 EAGLE 12 SPEED X-SYNC GOLD
2	11.7518.077.010	REAR DERAILLEUR PULLEY AND INNER CAGE XX1 EAGLE 12 SPEED X-SYNC GREY
2	11.7518.078.000	REAR DERAILLEUR PULLEY AND INNER CAGE X01 EAGLE 12 SPEED X-SYNC RED
2	11.7518.078.010	REAR DERAILLEUR PULLEY AND INNER CAGE X01 EAGLE 12 SPEED X-SYNC GREY
2	11.7518.098.002	REAR DERAILLEUR PULLEY AND INNER CAGE XX1 X01 EAGLE 12 SPEED X-SYNC LUNAR
3	11.7518.079.000	REAR DERAILLEUR CABLE ANCHOR BOLT AND WASHER KIT XX1/X01/GX EAGLE
4	11.7518.082.000	REAR DERAILLEUR CHAINGAP ADJUSTMENT GAUGE EAGLE (MECHANICAL ONLY)
5	11.7518.084.010	REAR DERAILLEUR CAGE LOCK WITH SPRING EAGLE TYPE 3 QTY 1 GREY
6	00.7518.103.000	XX1/X01 EAGLE REAR DERAILLEUR PULLEYS X-SYNC
7	11.7518.016.000	REAR DERAILLEUR CABLE PULLEY AND GUIDE KIT XX1





SRAM GX EAGLE - REAR DERAILLEUR

RD-GX-1-B1 / RD-GX-1-B2



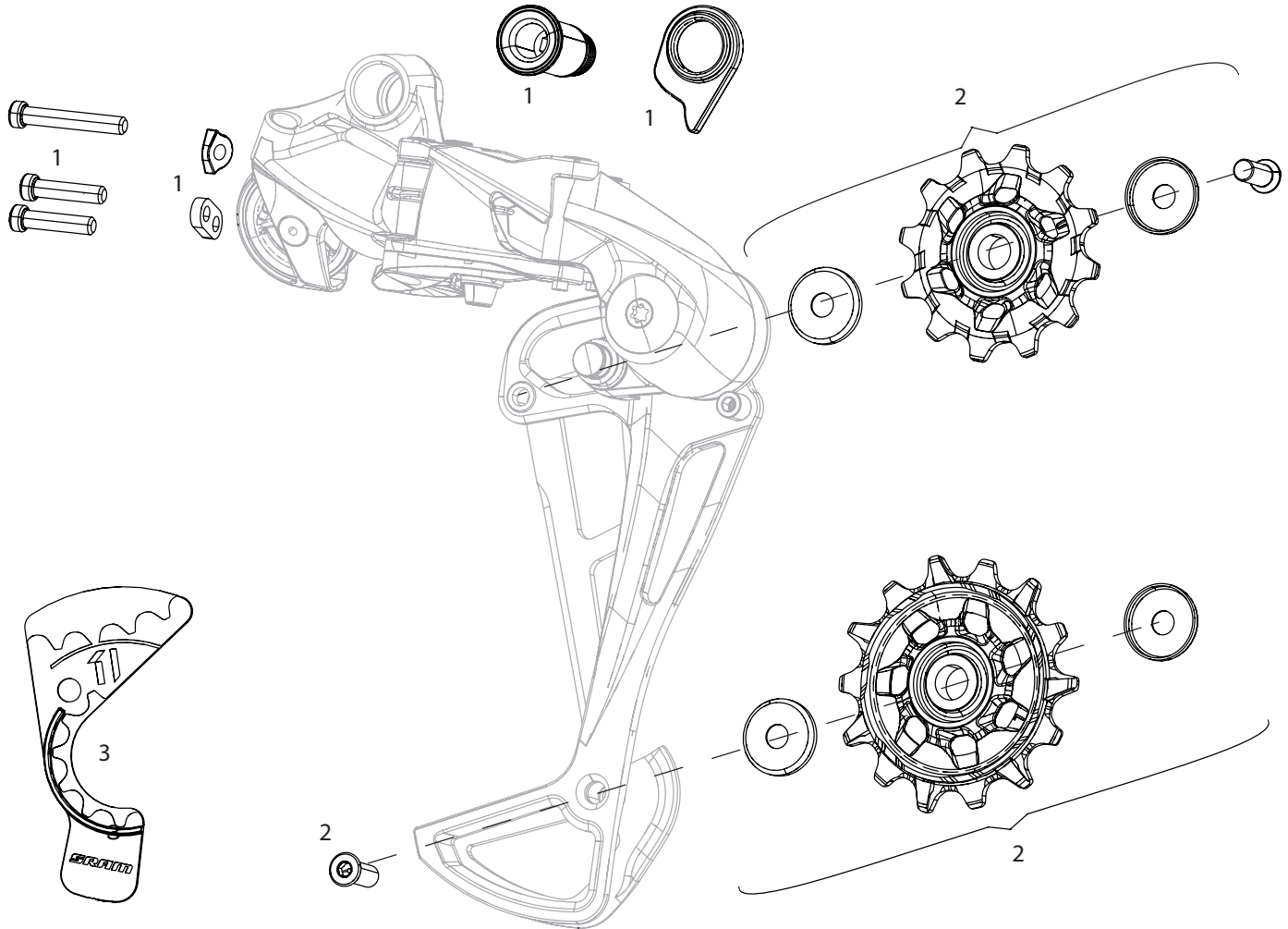
NO.	PART NUMBER	DESCRIPTION
1	11.7518.086.000	REAR DERAILLEUR B-BOLT AND LIMIT SCREW KIT GX EAGLE HEX5
1	11.7518.098.000	REAR DERAILLEUR B-BOLT AND LIMIT SCREW KIT GX EAGLE (BLACK SCREWS)
2	11.7518.087.000	REAR DERAILLEUR PULLEY AND INNER CAGE GX EAGLE X-SYNC
2	11.7518.098.001	REAR DERAILLEUR PULLEY AND INNER CAGE GX EAGLE LUNAR X-SYNC
3	11.7518.089.000	REAR DERAILLEUR PULLEY KIT GX EAGLE
4	11.7518.082.000	REAR DERAILLEUR CHAINGAP ADJUSTMENT GAUGE EAGLE (MECHANICAL ONLY)
5	11.7518.079.000	REAR DERAILLEUR CABLE ANCHOR BOLT AND WASHER KIT XX1/X01/GX EAGLE
6	11.7518.084.010	REAR DERAILLEUR CAGE LOCK WITH SPRING EAGLE TYPE 3 QTY 1 GREY





SRAM NX EAGLE - REAR DERAILLEUR

RD-NX-1-B1



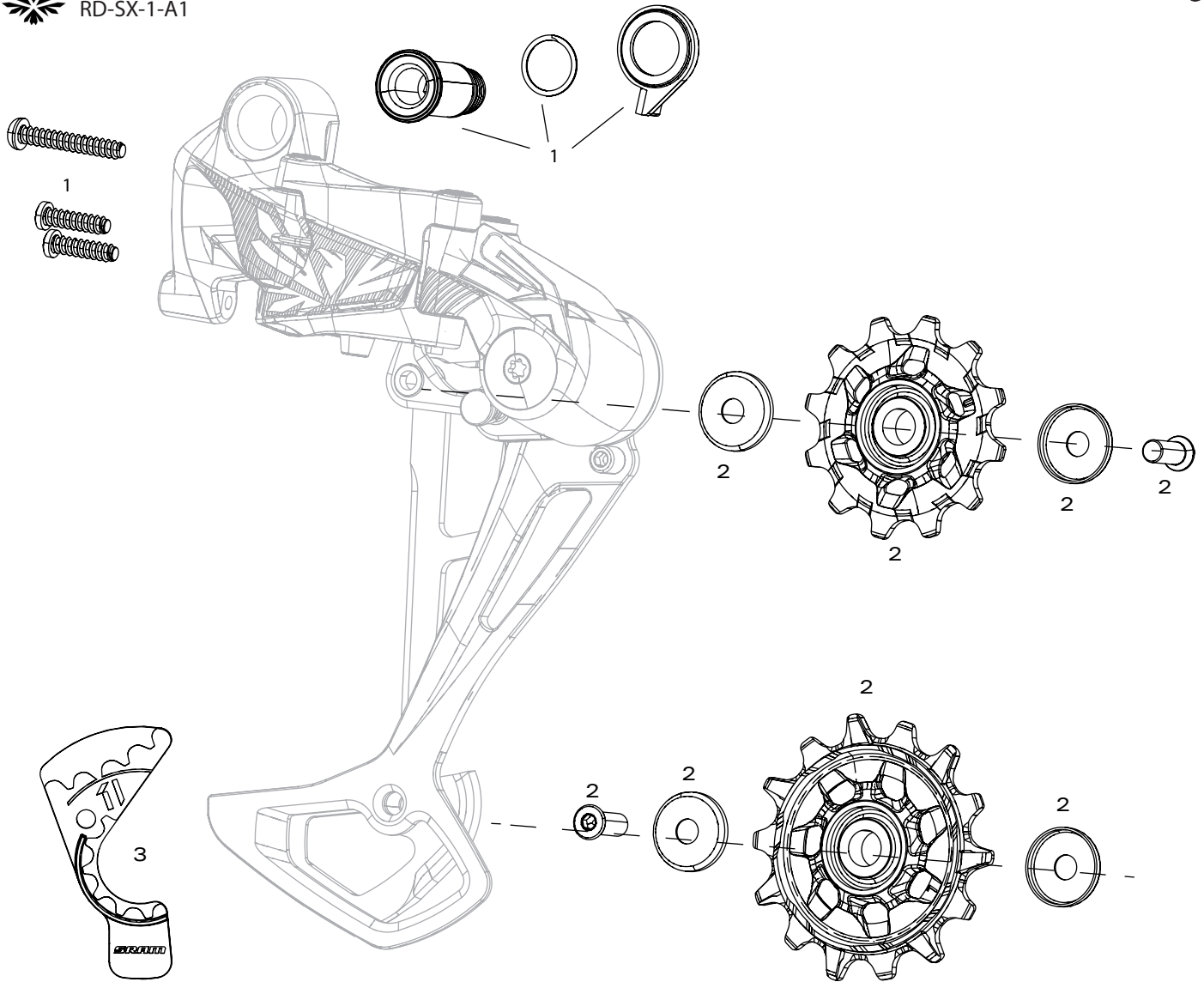
NO.	PART NUMBER	DESCRIPTION
1	11.7518.091.000	REAR DERAILLEUR BOLT AND SCREW KIT NX EAGLE (B-BOLT/WASHER, LIMIT SCREWS)
2	11.7518.090.000	REAR DERAILLEUR PULLEY KIT NX EAGLE
3	11.7518.082.000	REAR DERAILLEUR CHAINGAP ADJUSTMENT GAUGE EAGLE





SRAM SX EAGLE - REAR DERAILLEUR

RD-SX-1-A1

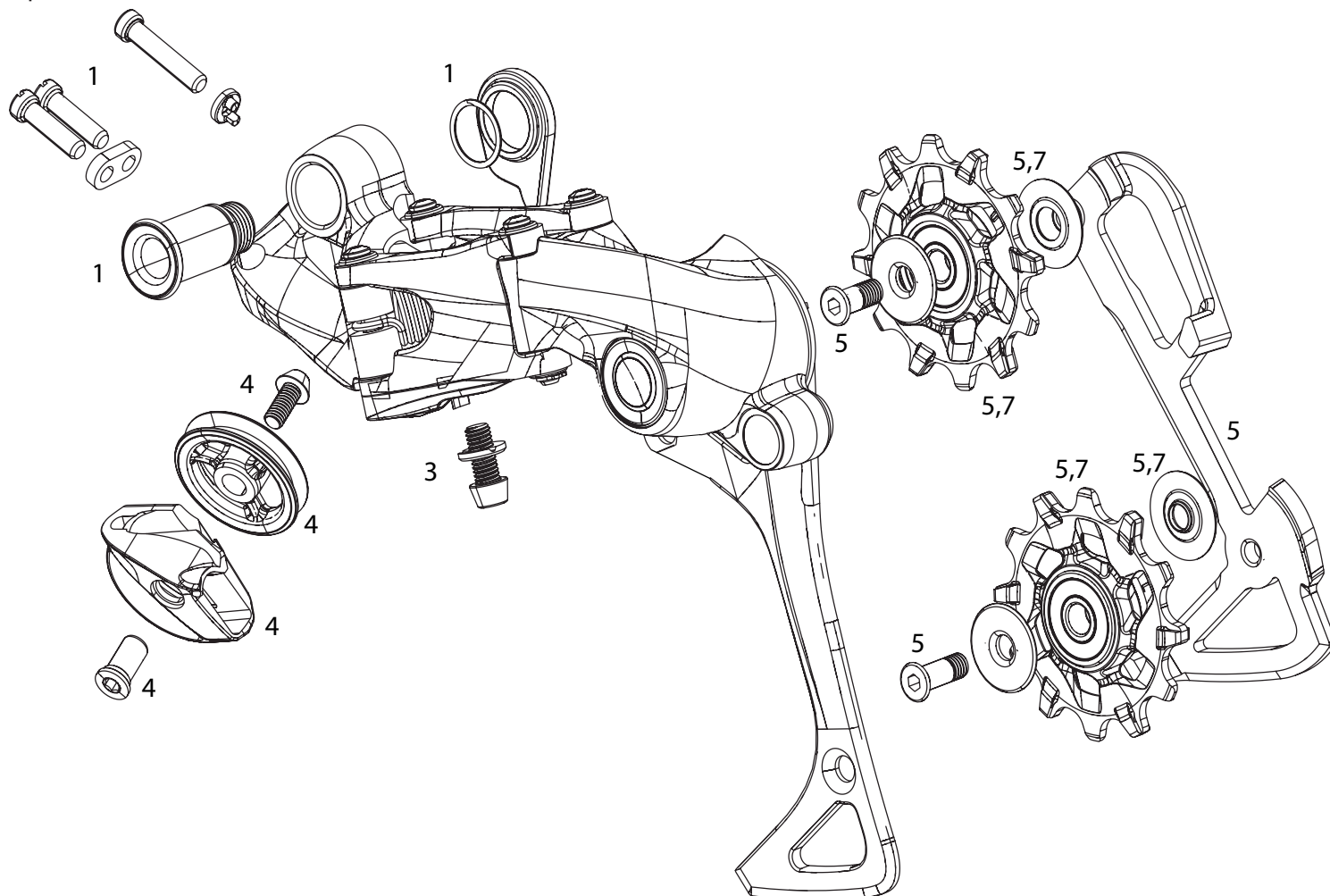


NO.	PART NUMBER	DESCRIPTION
1	11.7518.094.000	REAR DERAILLEUR BOLT AND SCREW KIT SX EAGLE (B-BOLT/WASHER, LIMIT SCREWS)
2	11.7518.090.000	REAR DERAILLEUR PULLEY KIT NX/SX EAGLE
3	11.7518.082.000	REAR DERAILLEUR CHAINGAP ADJUSTMENT GAUGE EAGLE (MECHANICAL ONLY)



SRAM XX1 / X01 / X01DH / X1 / EX1(8spd) - REAR DERAILLEUR 1x11

RD-XX-1-A2 / RD-X0-1DH-A1 / RD-X0-1DH-A3 / RD-X-1-A2 / RD-EX1-A1



NOTE: XX1 / X01 / X1 rear derailleur is compatible with 1X11 chainring and shifter only.

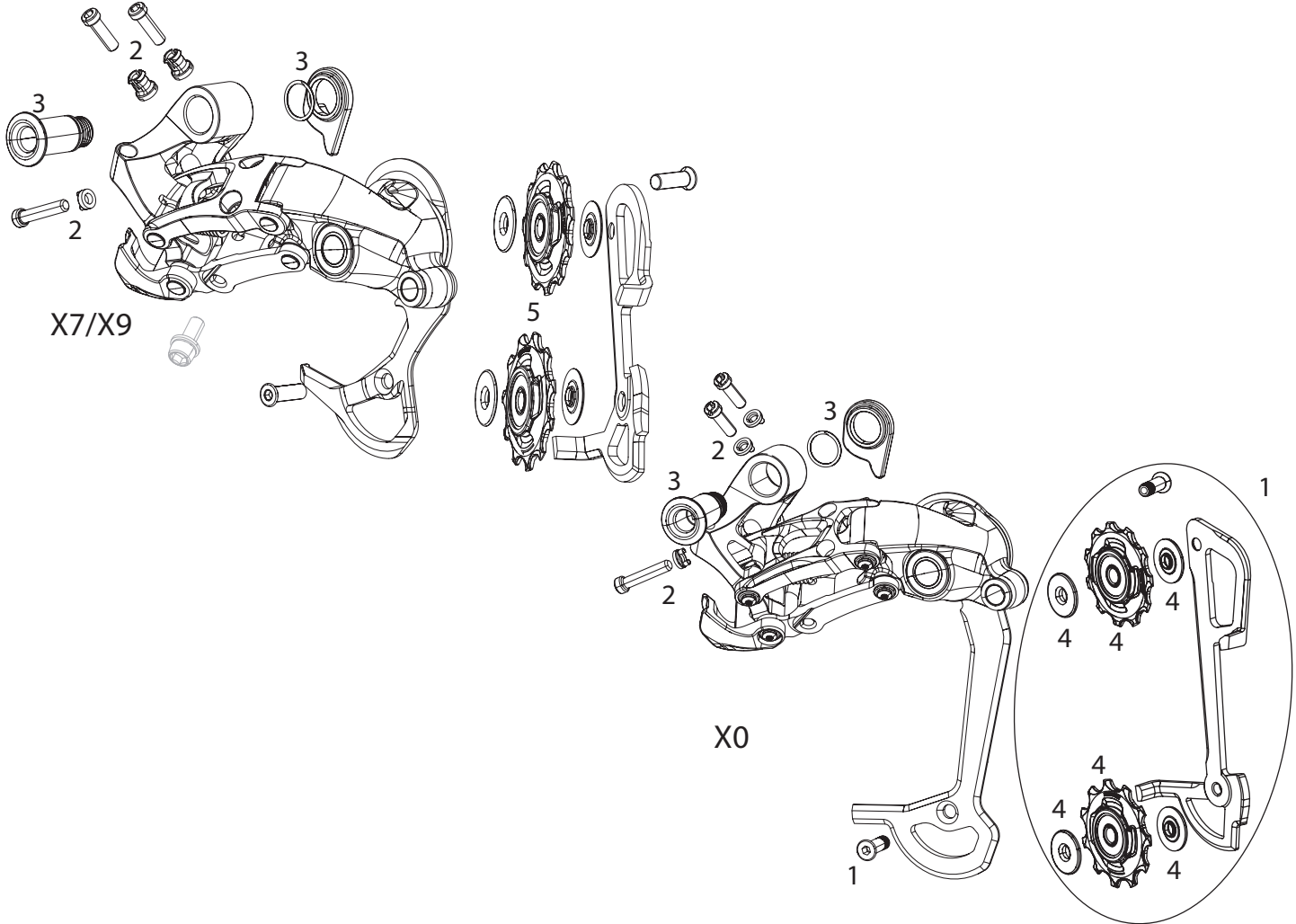
NO.	PART NUMBER	DESCRIPTION
1	11.7518.014.000	REAR DERAILLEUR B-BOLT AND LIMIT SCREW KIT XX1/X01/X1
1	11.7518.081.000	REAR DERAILLEUR B-BOLT AND LIMIT SCREW KIT XX1 HEX5
1	11.7518.076.010	REAR DERAILLEUR B-BOLT AND LIMIT SCREW KIT XX1/X1 EAGLE BLACK HEX5
1	11.7518.033.000	REAR DERAILLEUR B-BOLT KIT X01DH 7 SPEED TORX25
1	11.7518.068.000	REAR DERAILLEUR B-BOLT AND LIMIT SCREW KIT GX DH/X01DH 7 SPEED HEX5
1	11.7518.033.001	REAR DERAILLEUR B-BOLT KIT X01DH 10 SPEED TORX25
1	11.7518.034.000	REAR DERAILLEUR B-SCREW AND LIMIT SCREW KIT X01/X01DH
3	11.7518.015.000	REAR DERAILLEUR CABLE ANCHOR BOLT AND WASHER KIT XX1
4	11.7518.016.000	REAR DERAILLEUR CABLE PULLEY AND GUIDE KIT XX1
4	11.7518.029.000	REAR DERAILLEUR CABLE PULLEY AND GUIDE KIT X01/DH/X1
5	11.7518.017.000	REAR DERAILLEUR PULLEY AND INNER CAGE XX1 11 SPEED X-SYNC (OUTER CAGE NOT REPLACEABLE)
5	11.7518.030.000	REAR DERAILLEUR PULLEY KIT AND INNER CAGE X01/X1 11 SPEED X-SYNC (OUTER CAGE NOT REPLACEABLE)
5	11.7518.083.000	REAR DERAILLEUR PULLEY AND INNER CAGE EX1 8 SPEED
7	00.7518.025.000	BLACKBOX CERAMIC HYBRID BEARING PULLEYS XX1 X-SYNC 11SPEED
7	11.7518.032.000	REAR DERAILLEUR PULLEY KIT X01/X01DH/X1/FORCE 1 X-SYNC
ns	11.7518.088.000	REAR DERAILLEUR CHAINGAP ADJUSTMENT GAUGE EX1



SRAM X0 / X9 / X7 TYPE 2/2.1 - REAR DERAILLEUR 2x10



RD-X0-T2-A1 / RD-X0-T21-A1 / RD-X9-T2-A1 / RD-X9-T21-A1 / RD-X7-T2-A1 / RD-X7-T21-A1

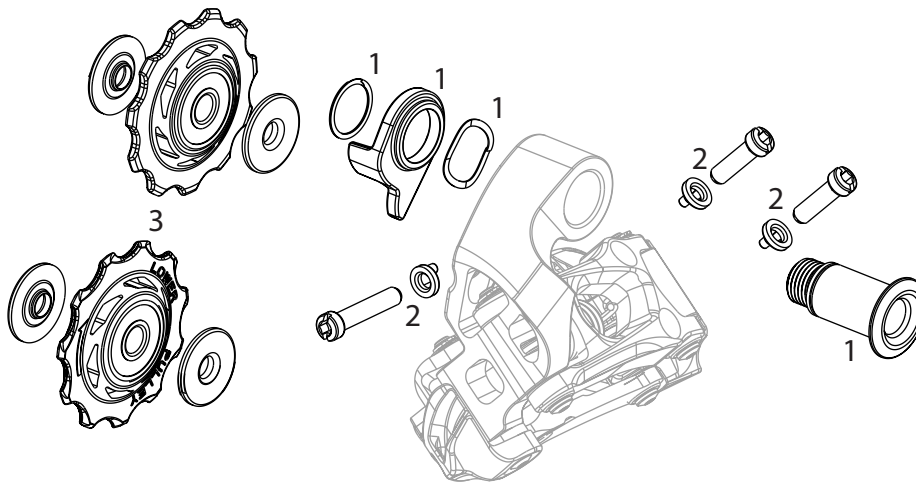


NO.	PART NUMBER	DESCRIPTION
1	11.7518.010.000	REAR DERAILLEUR CAGE KIT LONG X0 TYPE2 (INNER CAGE & PULLEYS, OUTER CAGE NOT REPLACEABLE)
2	11.7515.047.000	REAR DERAILLEUR B-SCREW AND LIMIT SCREW KIT X0 TYPE 2 / 2011 X0 10 SPEED
2	11.7515.055.000	REAR DERAILLEUR B-SCREW AND LIMIT SCREW KIT X9 TYPE 2 / 2011 X9 10 SPEED
3	11.7515.049.000	REAR DERAILLEUR HANGER BOLT KIT X0/X9 TYPE 2 / 2011 X0/X9 10 SPEED
4	11.7518.018.000	REAR DERAILLEUR PULLEY KIT X0 TYPE2 QTY 2
5	11.7518.018.001	REAR DERAILLEUR PULLEY KIT X9/X7/GX 2X10 TYPE2 QTY 2



SRAM X0 / X9 / X7 - REAR DERAILLEUR 2x10, 3x10 (2011-2013)

RD-X0-A1 / RD-X9-A1 / RD-X7-A1



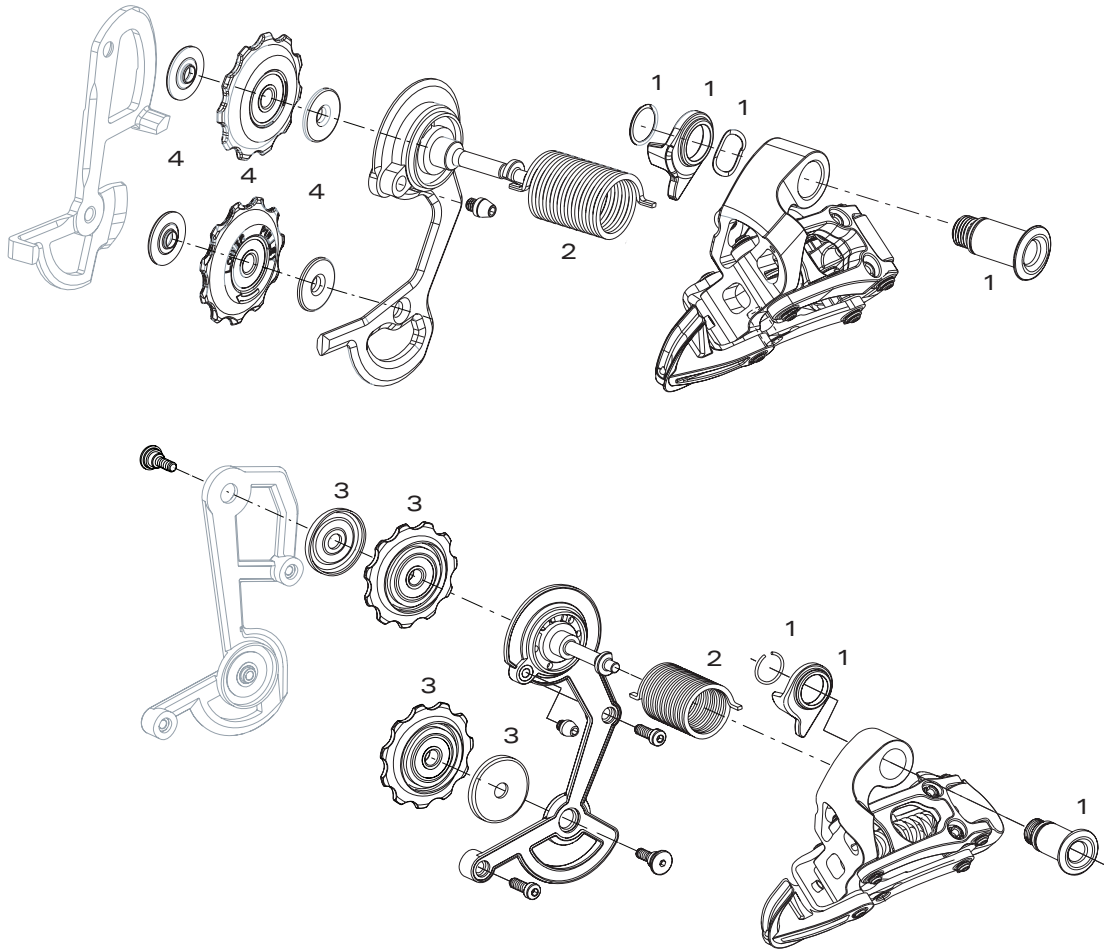
NOTE: X0, X9 and X7 rear derailleurs are compatible with 10 speed exact actuation cranks and shifters only.

NO.	PART NUMBER	DESCRIPTION
1	11.7515.062.000	REAR DERAILLEUR HANGER BOLT KIT X0 SILVER 10 SPEED
1	11.7515.049.000	REAR DERAILLEUR HANGER BOLT KIT X0/X9 TYPE 2 / 2011 X0/X9 10 SPEED
1	11.7515.052.000	REAR DERAILLEUR HANGER BOLT KIT X7/TYPE2 10 SPEED
2	11.7515.047.000	REAR DERAILLEUR B-SCREW AND LIMIT SCREW KIT X0 TYPE 2 / 2011 X0 10 SPEED
2	11.7515.055.000	REAR DERAILLEUR B-SCREW AND LIMIT SCREW KIT X9 TYPE 2 / 2011 X9 10 SPEED
3	00.7915.016.010	BLACKBOX CERAMIC BEARING PULLEYS MTN
3	11.7515.022.000	REAR DERAILLEUR PULLEY KIT 2008-2011 X0 QTY 2
3	11.7515.038.000	REAR DERAILLEUR PULLEY KIT 10-11 X9 X7



SRAM X0 - REAR DERAILLEUR 3x9 (2006-2013)

RD-X0-A1

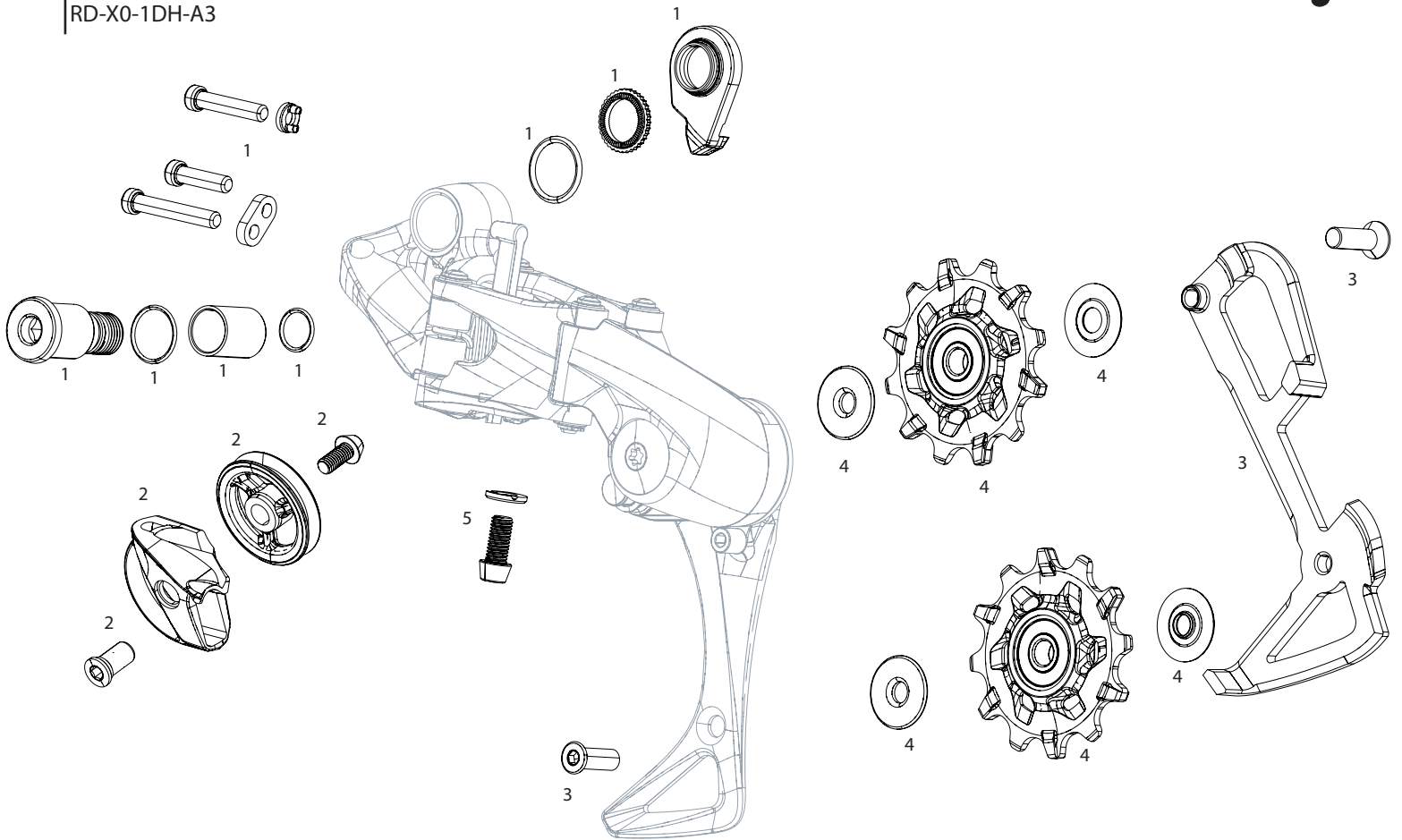


NO.	PART NUMBER	DESCRIPTION
1	00.0000.200.892	REAR DERAILLEUR HANGER BOLT KIT 06-07 X0
1	11.7515.036.000	REAR DERAILLEUR HANGER BOLT 2009 X0 SILVER
2	11.7515.032.000	REAR DERAILLEUR TORSION SPRING 06-09 X0
3	00.0000.200.733	REAR DERAILLEUR PULLEY KIT 05-07 X0, 07-09 X9 SHORT CAGE, 08-09 X7 SHORT CAGE
4	11.7515.022.000	REAR DERAILLEUR PULLEY KIT 2008-2011 X0 QTY 2



SRAM X0 DH 7spd (2019-) - REAR DERAILLEUR

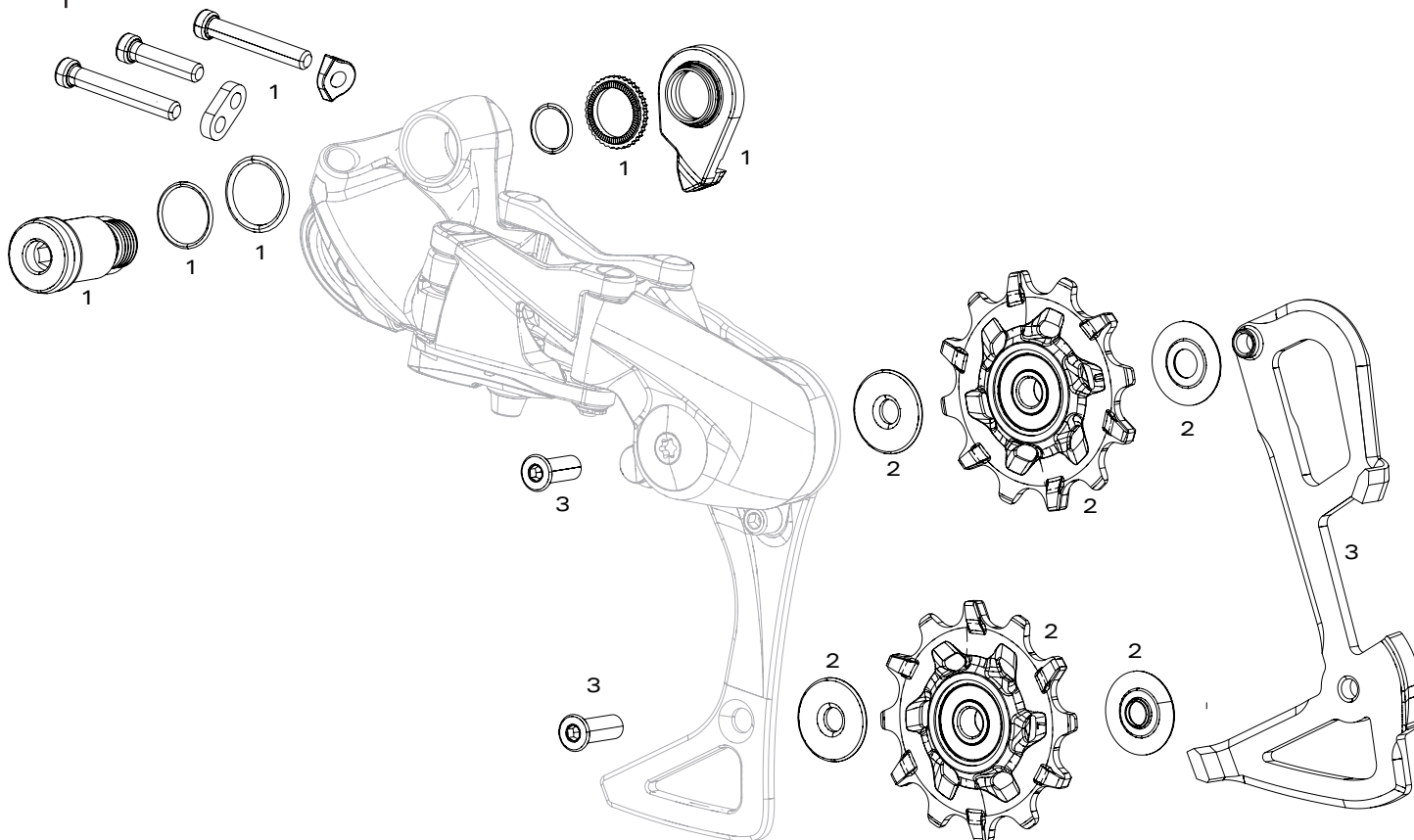
RD-X0-1DH-A3



NO.	PART NUMBER	DESCRIPTION
1	11.7518.068.000	REAR DERAILLEUR B-BOLT AND LIMIT SCREW KIT GX DH/X01DH 7 SPEED HEX5
2	11.7518.029.000	REAR DERAILLEUR CABLE PULLEY AND GUIDE KIT X01/DH/X1
3	11.7518.096.000	REAR DERAILLEUR INNER CAGE X01 DH RED SHORT INCLUDING SCREWS
3	11.7518.096.001	REAR DERAILLEUR INNER CAGE X01 DH RED MEDIUM INCLUDING SCREWS
3	11.7518.096.002	REAR DERAILLEUR INNER CAGE X01 DH POLAR SHORT INCLUDING SCREWS
3	11.7518.096.003	REAR DERAILLEUR INNER CAGE X01 DH POLAR MEDIUM INCLUDING SCREWS
4	11.7518.032.000	REAR DERAILLEUR PULLEY KIT X01/X01DH/X1/FORCE 1 X-SYNC
5	11.7518.015.000	REAR DERAILLEUR CABLE ANCHOR BOLT AND WASHER KIT XX1

SRAM GX DH 7spd (2019-) - REAR DERAILLEUR

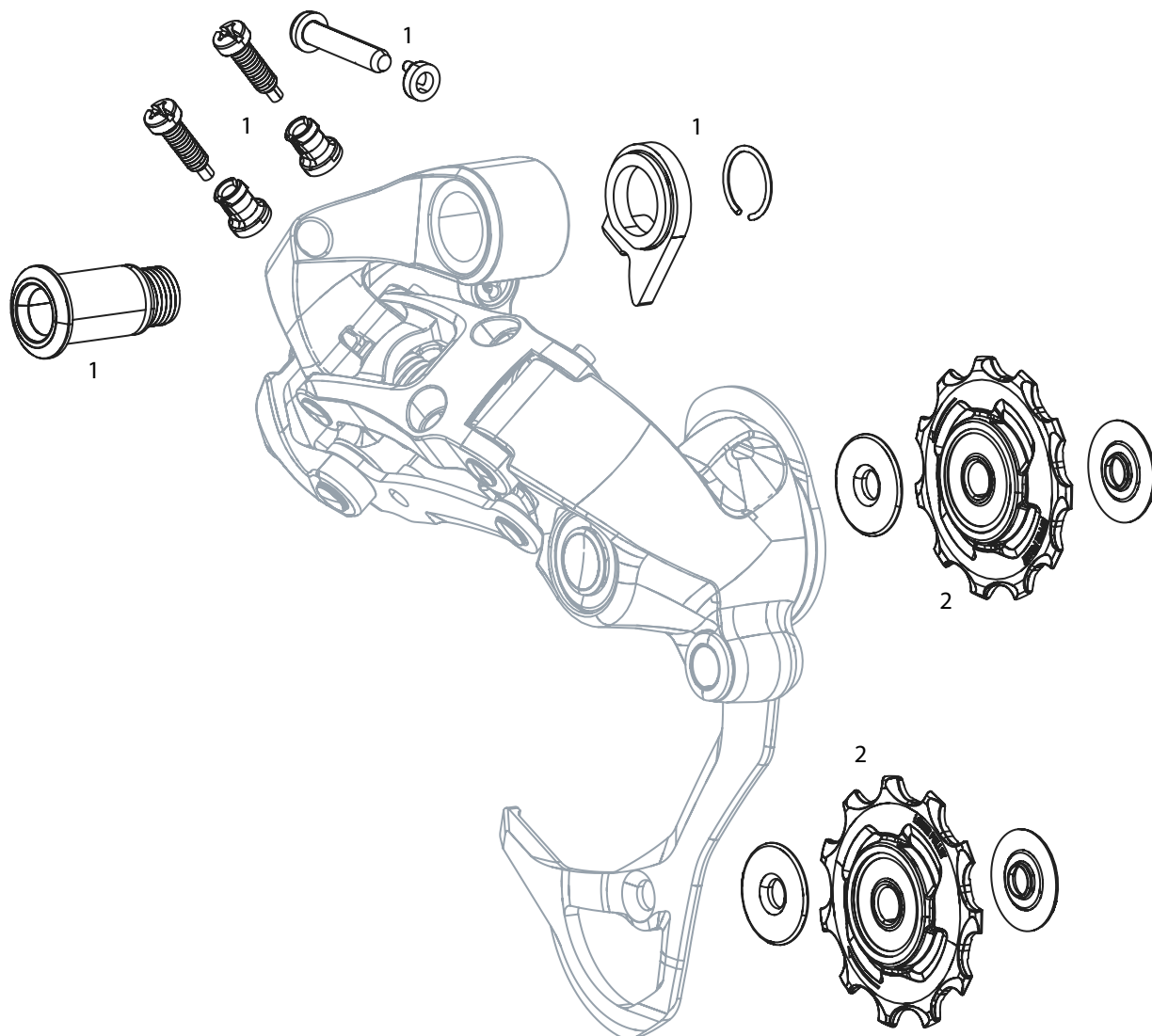
RD-GX-1DH-A3



NO.	PART NUMBER	DESCRIPTION
1	11.7518.068.000	REAR DERAILLEUR B-BOLT AND LIMIT SCREW KIT GX DH/X01DH 7 SPEED HEX5
2	11.7518.070.000	REAR DERAILLEUR PULLEY KIT GX DH 7 SPEED
3	11.7518.096.004	REAR DERAILLEUR INNER CAGE GX DH POLAR MEDIUM INCLUDING SCREWS

SRAM GX 2X10 TYPE 2.1 - REAR DERAILLEUR

RD-GX-T21-A1

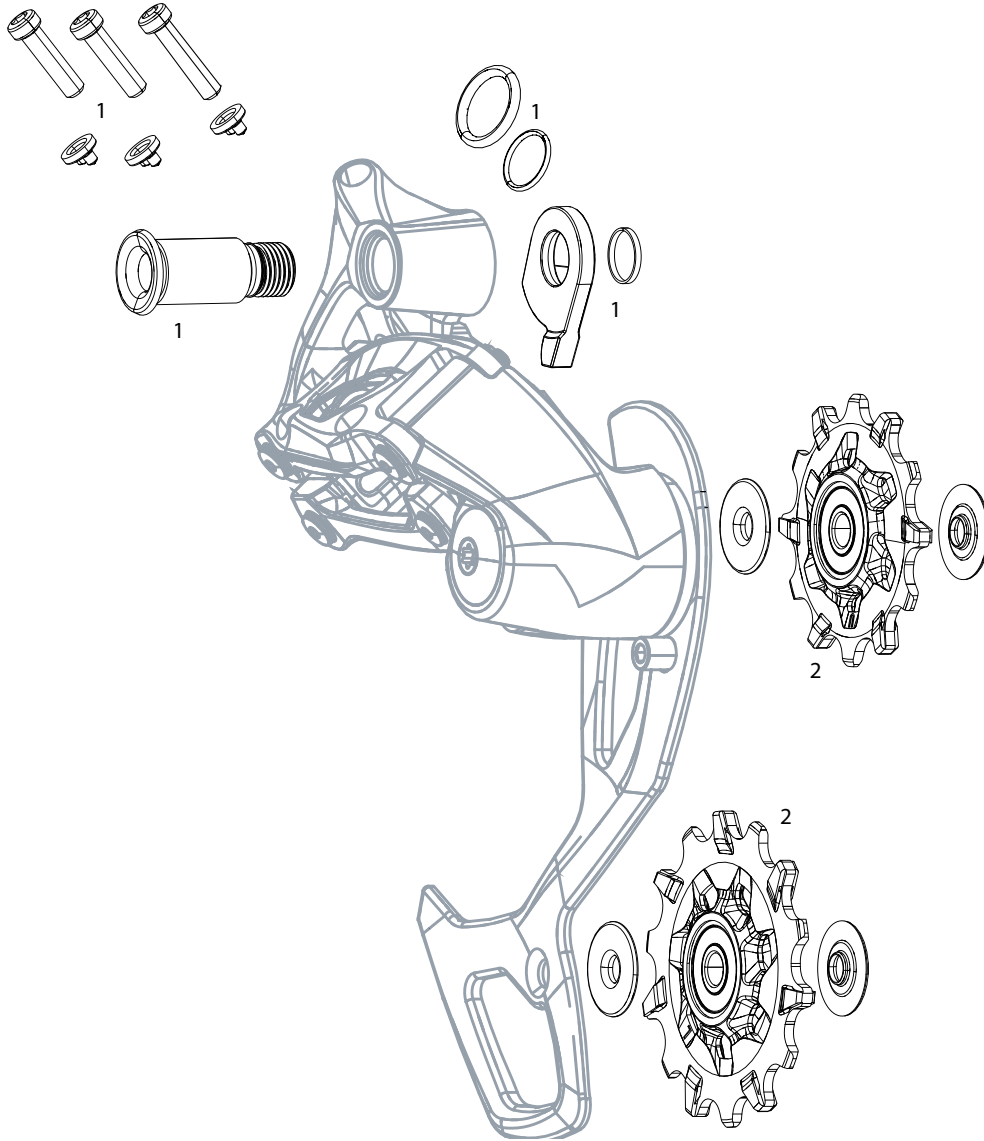


NO.	PART NUMBER	DESCRIPTION
1	11.7518.042.000	REAR DERAILLEUR B-BOLT AND SCREW KIT GX 2X10
2	11.7518.018.001	REAR DERAILLEUR PULLEY KIT X9/X7/GX 2X10 TYPE2 QTY 2



SRAM GX 2X11 TYPE 2.1 - REAR DERAILLEUR

RD-GX-11-A1

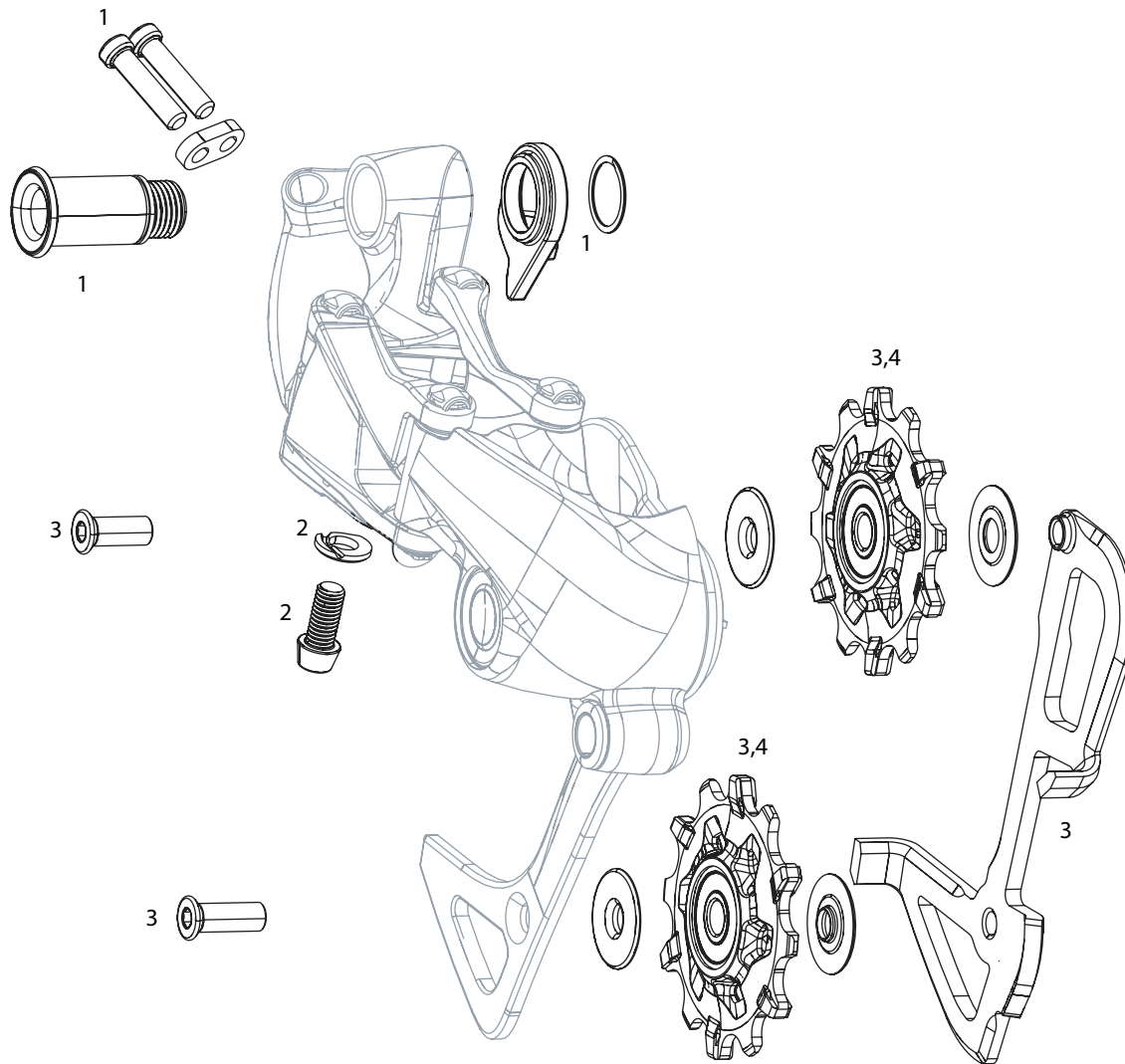


NO.	PART NUMBER	DESCRIPTION
1	11.7518.049.000	REAR DERAILLEUR B-BOLT AND SCREW KIT GX 2X11
2	11.7518.051.000	REAR DERAILLEUR PULLEY KIT GX 2X11



SRAM GX 1X11, GX DH 1X7 TYPE 2.1 - REAR DERAILLEUR

RD-GX-1-A1 / RD-GX-1DH-A2



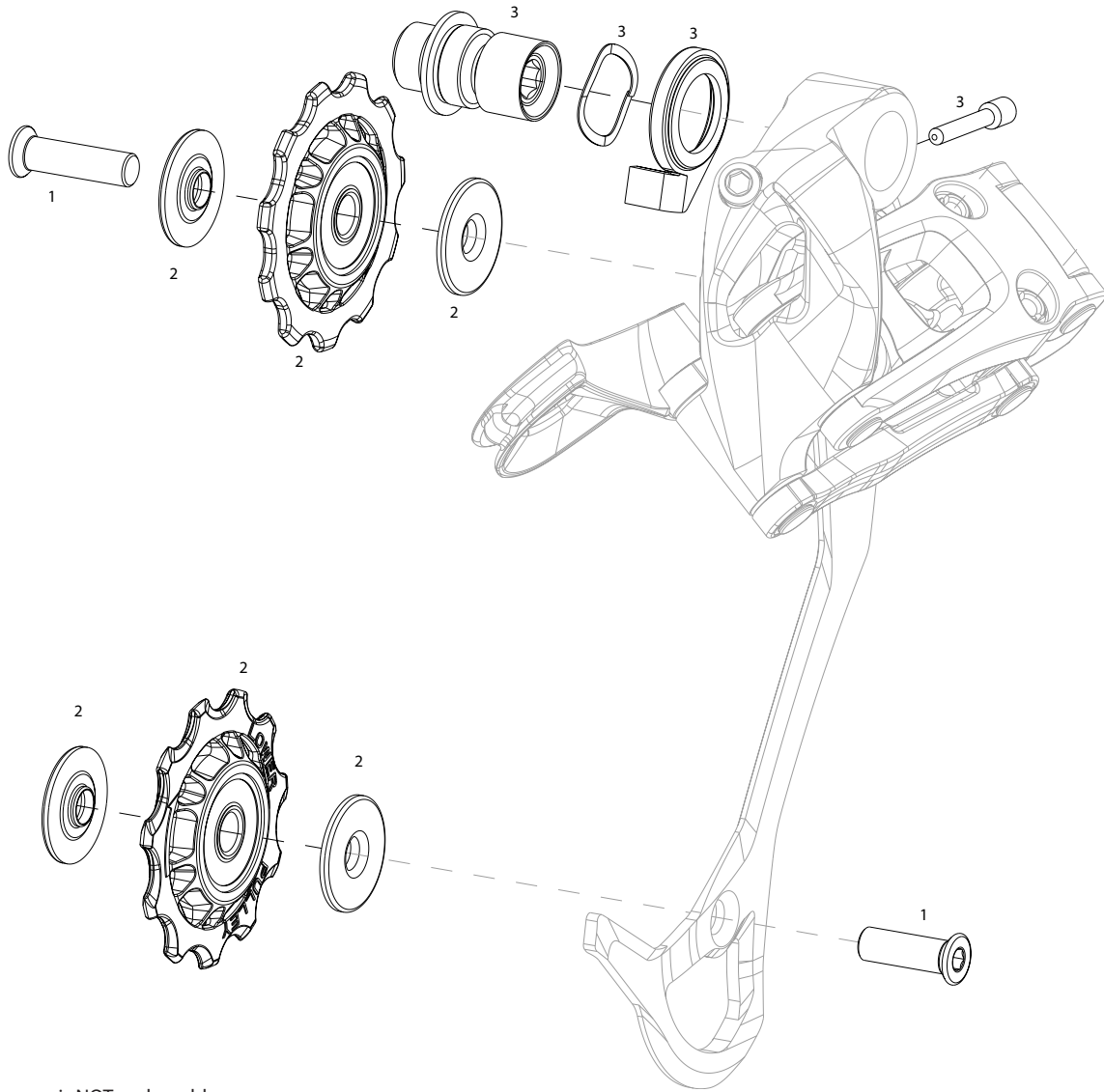
NO.	PART NUMBER	DESCRIPTION
1	11.7518.055.000	REAR DERAILLEUR B-BOLT AND LIMIT SCREW KIT GX 1X11
1	11.7518.068.000	REAR DERAILLEUR B-BOLT AND LIMIT SCREW KIT GX DH/X01DH 7 SPEED HEX5
2	11.7518.057.000	REAR DERAILLEUR CABLE ANCHOR BOLT AND WASHER KIT GX 1X11
3	11.7518.059.000	REAR DERAILLEUR PULLEY AND INNER CAGE KIT GX 1X11/FORCE1/RIVAL1 TYPE 2.1 (MEDIUM/LONG CAGE)
4	11.7518.032.000	REAR DERAILLEUR PULLEY KIT X01/X01DH/X1/FORCE 1 X-SYNC
4	11.7518.070.000	REAR DERAILLEUR PULLEY KIT GX DH 7 SPEED



SRAM X9 / X7 - REAR DERAILLEUR 3x9 (2010)



RD-X9-A1



NOTE: X9 outer cage is NOT replaceable.

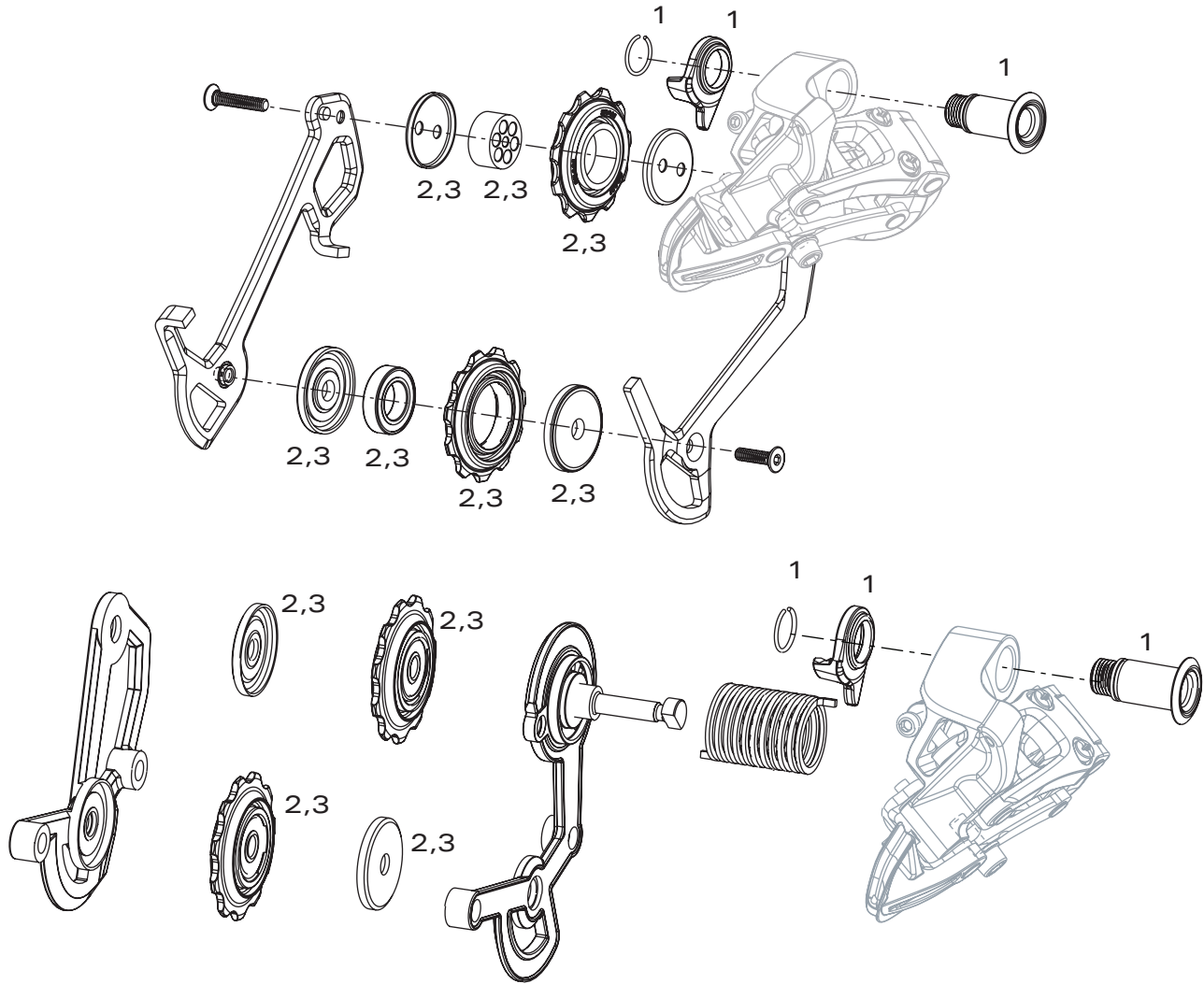
NO.	PART NUMBER	DESCRIPTION
1	11.7515.041.000	REAR DERAILLEUR CAGE SCREW KIT 2010 X9 X7
2	11.7515.038.000	REAR DERAILLEUR PULLEY KIT 10-11 X9 X7
3	11.7515.037.000	REAR DERAILLEUR B-BOLT KIT 2010 X9 X7



SRAM X9 - REAR DERAILLEUR 3x9 (2007-2009)



RD-X9-A1



NOTE: X9 outer cage is NOT replaceable.

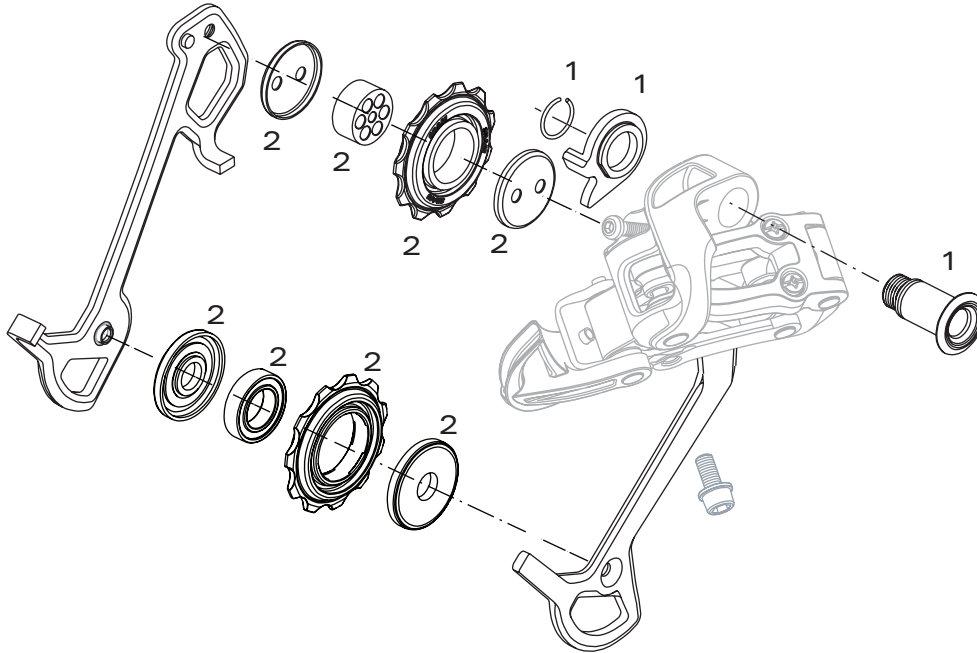
NO.	PART NUMBER	DESCRIPTION
1	11.7515.009.000	REAR DERAILLEUR HANGER BOLT KIT 07-09 X9
2	00.0000.200.615	REAR DERAILLEUR PULLEY KIT 05-09 X9 (MEDIUM AND LARGE CAGE)
3	00.0000.200.733	REAR DERAILLEUR PULLEY KIT 05-07 X0, 07-09 X9 SHORT CAGE, 08-09 X7 SHORT CAGE



SRAM X9 / X7 DUALDRIVE 27 - REAR DERAILLEUR 3x9 (2005-2006)



RD-X9-A1 / RD-X7-A1 / RD-DD-A1



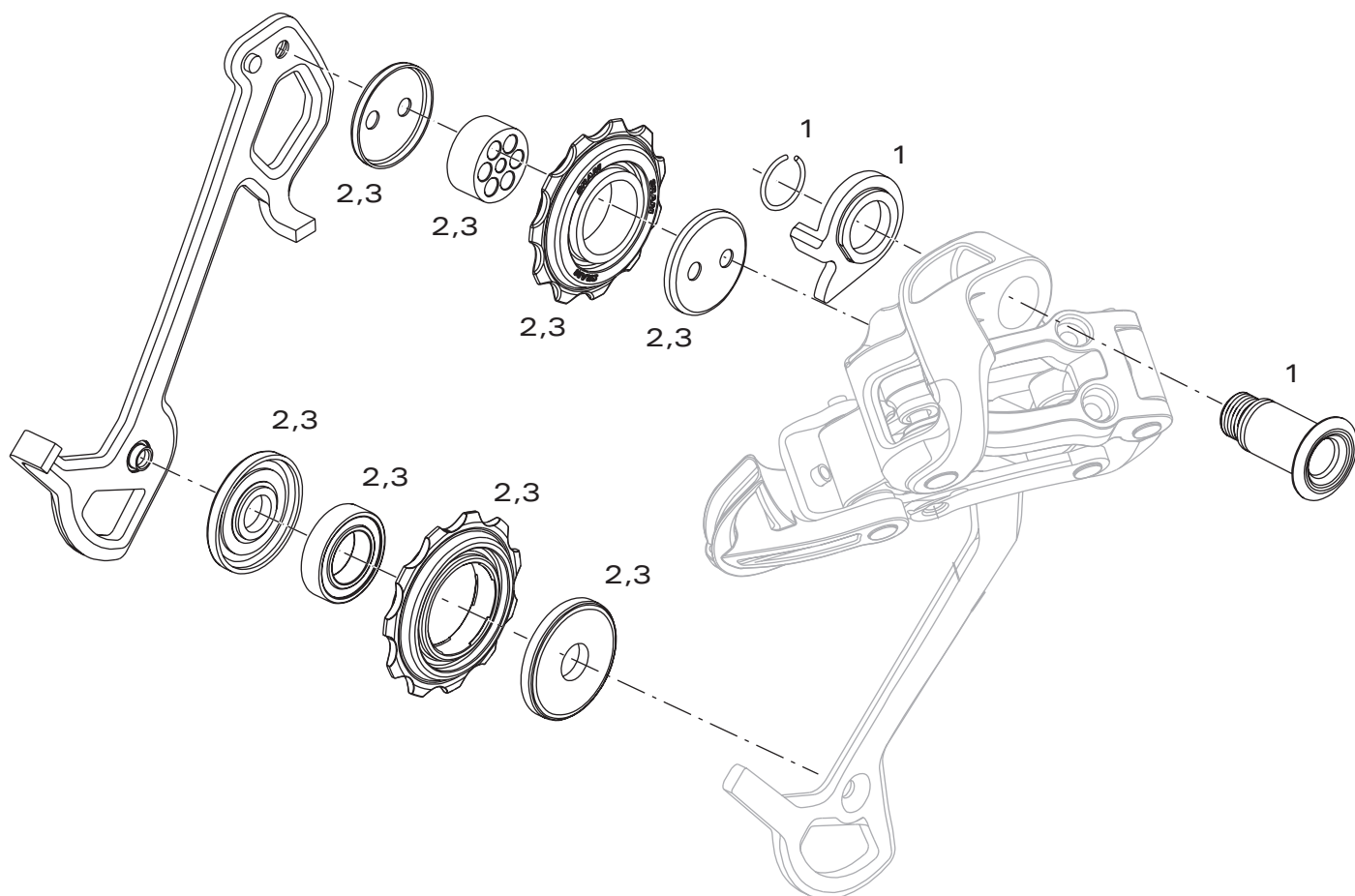
NO.	PART NUMBER	DESCRIPTION
1	00.0000.200.715	REAR DERAILLEUR B-BOLT KIT 04-05 X7/X9/DUAL DRIVE27/9/7/5
1	00.0000.200.898	REAR DERAILLEUR HANGER BOLT KIT 06-09 X7/X9/DUAL DRIVE27
2	00.0000.200.615	REAR DERAILLEUR PULLEY KIT 05-09 X9 (MEDIUM AND LARGE CAGE)
2	00.0000.200.618	REAR DERAILLEUR PULLEY KIT 04-09 X7/DUAL DRIVE27, SX5, 08-09 X5 QTY 2



SRAM X7 - REAR DERAILLEUR 3x9 (2007-2009)

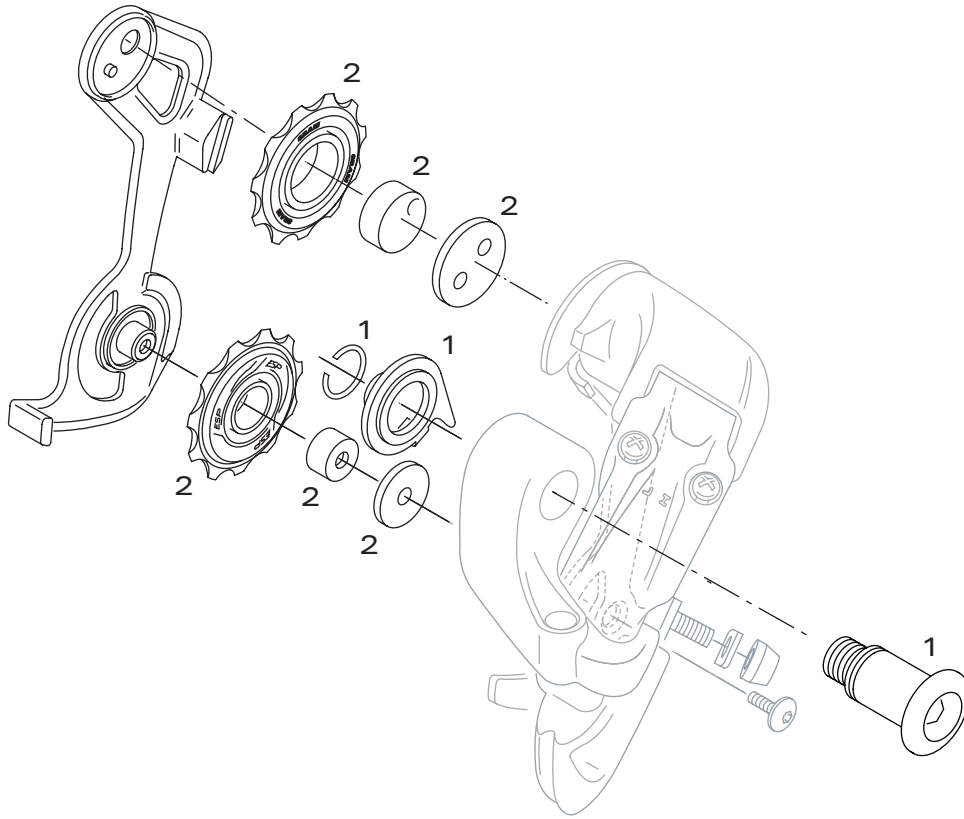


RD-X7-A1



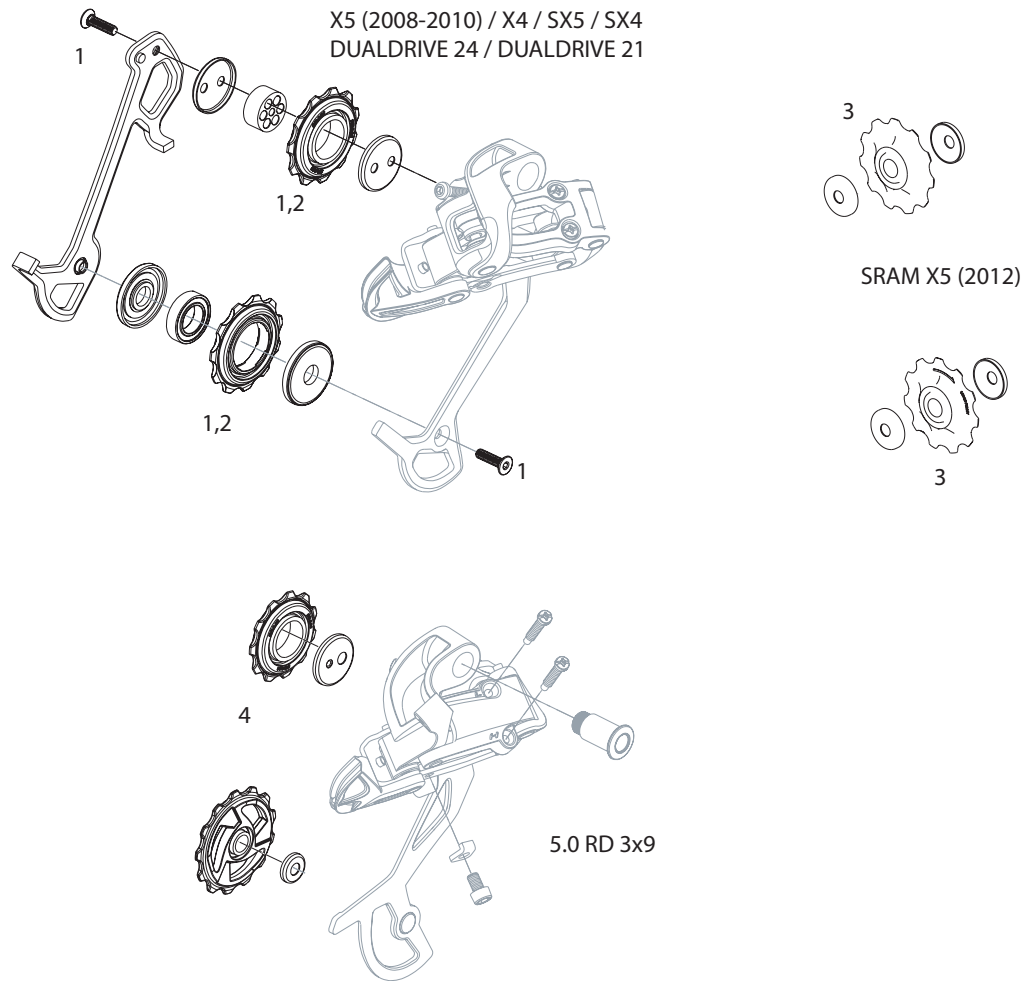
NO.	PART NUMBER	DESCRIPTION
1	00.0000.200.898	REAR DERAILLEUR HANGER BOLT KIT 06-09 X7/X9/DUAL DRIVE27
2	00.0000.200.618	REAR DERAILLEUR PULLEY KIT 04-09 X7/DUAL DRIVE27, SX5, 08-09 X5 QTY 2
3	00.0000.200.733	REAR DERAILLEUR PULLEY KIT 05-07 X0, 07-09 X9 SHORT CAGE, 08-09 X7 SHORT CAGE





NO.	PART NUMBER	DESCRIPTION
1	00.0000.200.715	REAR DERAILLEUR B-BOLT KIT 04-05 X7/X9/DUAL DRIVE27/9/7/5
2	00.0000.200.713	REAR DERAILLEUR PULLEY KIT 2004 X9, 9.0SL / 2003 9.0
2	00.0000.200.618	REAR DERAILLEUR PULLEY KIT 04-09 X7/DUAL DRIVE27, SX5, 08-09 X5 QTY 2
2	00.0000.200.615	REAR DERAILLEUR PULLEY KIT 05-09 X9 (MEDIUM AND LARGE CAGE)





NOTE: X5 outer cage is NOT replaceable.

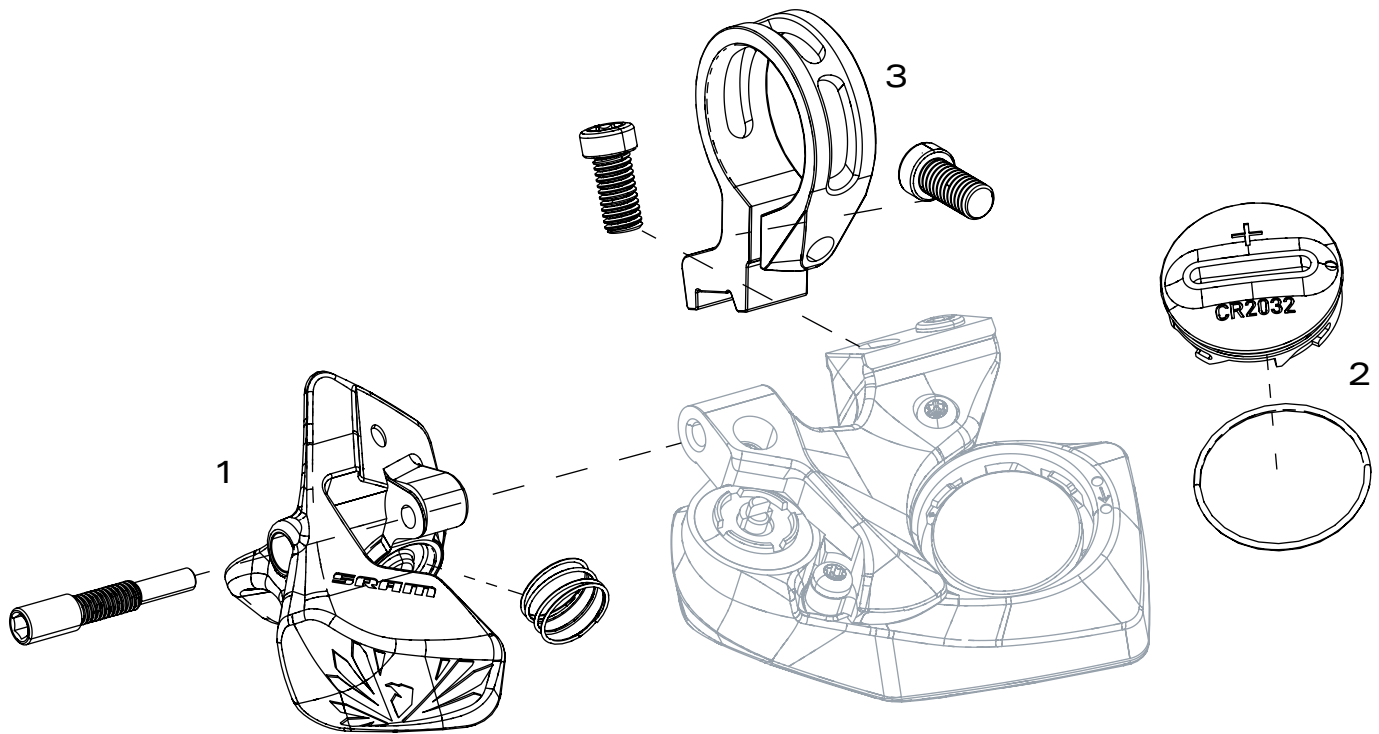
NO.	PART NUMBER	DESCRIPTION
1	00.0000.200.912	REAR DERAILLEUR PULLEY KIT X4/SX4
2	00.0000.200.618	REAR DERAILLEUR PULLEY KIT 04-09 X7/DUAL DRIVE27, SX5, 08-09 X5 QTY 2
3	11.7518.019.000	REAR DERAILLEUR PULLEY KIT X5 QTY 2
4	00.0000.200.616	REAR DERAILLEUR PULLEY KIT 04 5.0 7/8 SPEED





XX1 / X01 EAGLE AXS ELECTRONIC CONTROLLER (SHIFTER)

EC-AXS-SRAM-A1 / EC-AXS-RKSX-A1



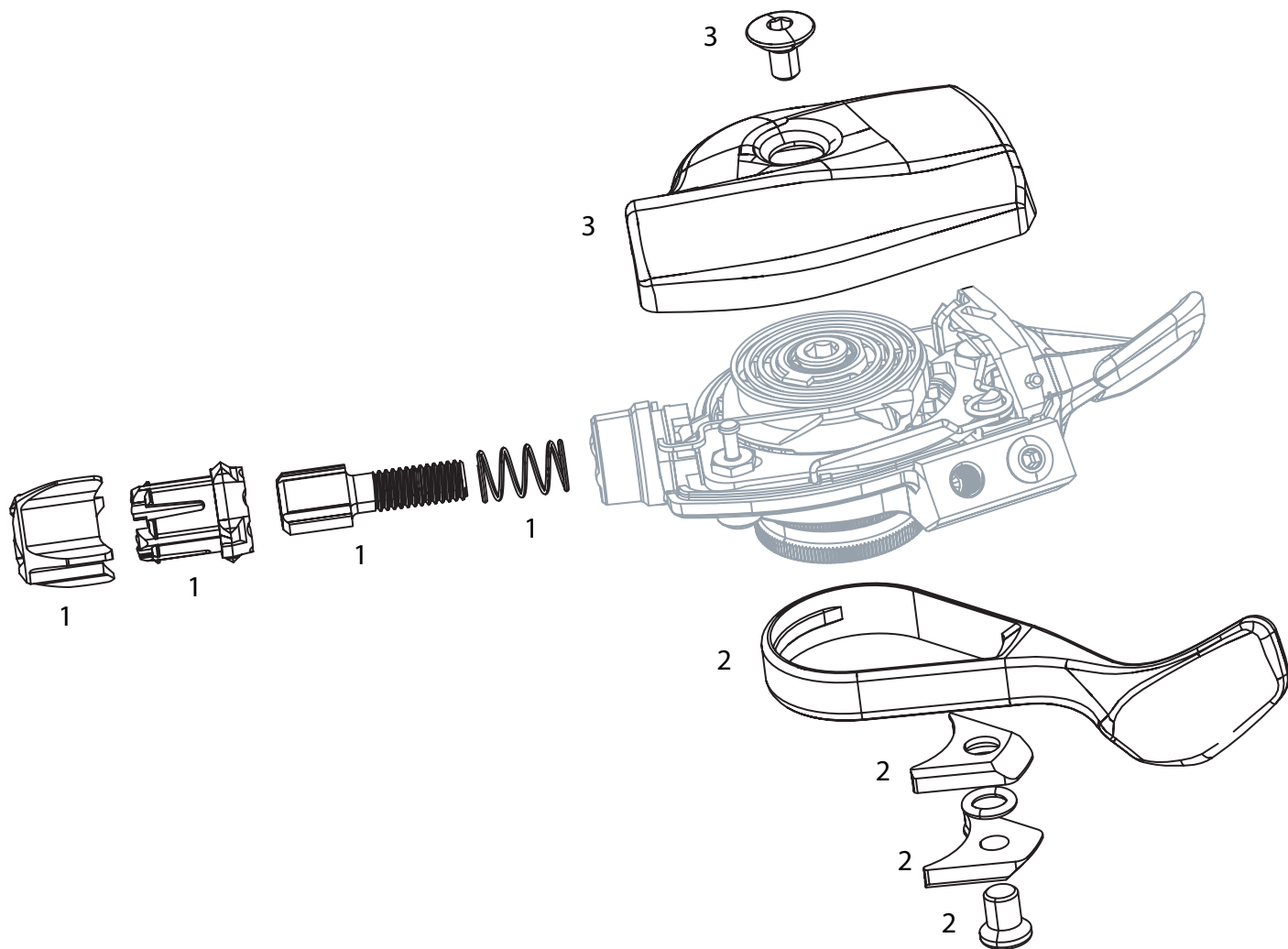
NO.	PART NUMBER	DESCRIPTION
1	11.7018.076.000	ELECTRONIC CONTROLLER SHIFTER LEVER INCLUDING SPRING AND PIN XX1 X01 EAGLE AXS
2	11.7018.076.001	ELECTRONIC CONTROLLER BATTERY HATCH AND O-RING XX1, X01 EAGLE AXS AND REVERB AXS
3	11.7018.076.002	ELECTRONIC CONTROLLER DISCRETE CLAMP EAGLE AXS (INCLUDING 2 BOLTS)





SRAM XX1 EAGLE TRIGGER SHIFTER

SL-XX-1-B1 / SL-XX1-PA-B1



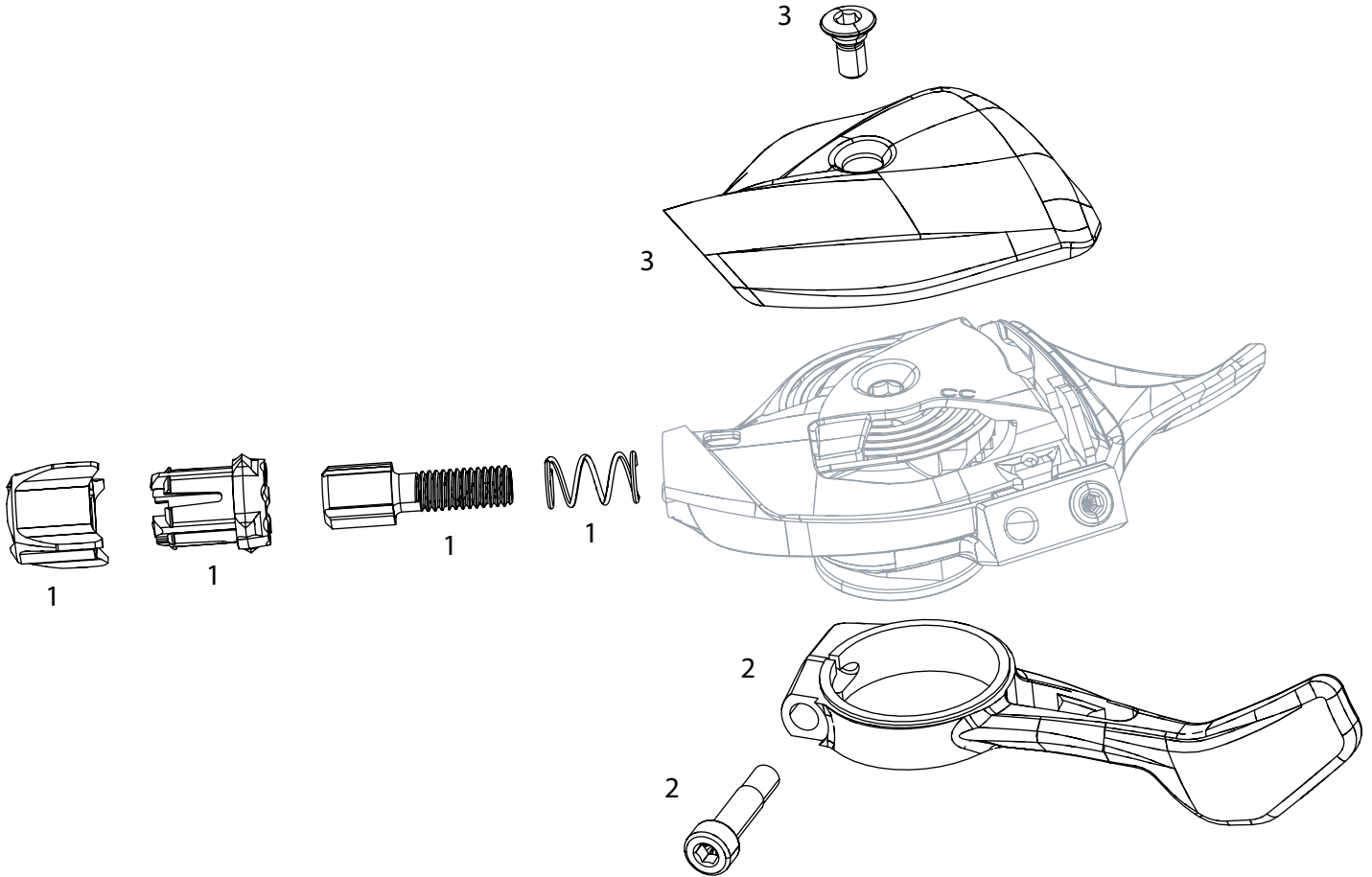
NO.	PART NUMBER	DESCRIPTION
1	11.7018.055.000	SHIFT LEVER TRIGGER BARREL ADJUSTER KIT XX1/X01 EAGLE GOLD
1	11.7018.055.010	SHIFT LEVER TRIGGER BARREL ADJUSTER KIT XX1/X01 EAGLE BLACK
2	11.7018.056.000	SHIFT LEVER TRIGGER PULL LEVER KIT XX1 EAGLE, RIGHT
3	11.7018.058.000	SHIFT LEVER TRIGGER COVER KIT XX1 EAGLE RIGHT GOLD
3	11.7018.058.010	SHIFT LEVER TRIGGER COVER KIT XX1 EAGLE RIGHT NEUTRAL
ns	11.7018.062.000	SHIFT LEVER TRIGGER XX1/X01 EAGLE TRIGGER CLAMP AND BOLT KIT QTY 1





SRAM X01 EAGLE TRIGGER SHIFTER

SL-X0-1-B1 / SL-X01-PA-B1



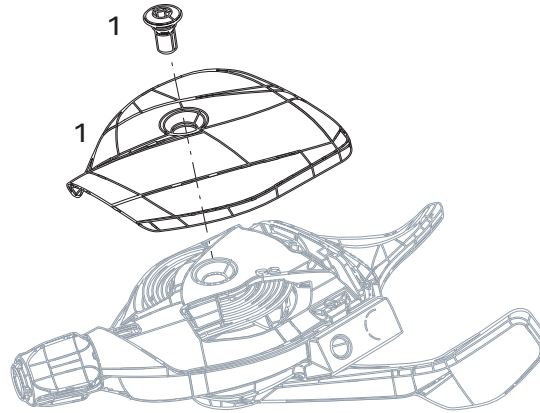
NO.	PART NUMBER	DESCRIPTION
1	11.7018.055.000	SHIFT LEVER TRIGGER BARREL ADJUSTER KIT XX1/X01 EAGLE GOLD
1	11.7018.055.010	SHIFT LEVER TRIGGER BARREL ADJUSTER KIT XX1/X01 EAGLE BLACK
2	11.7018.059.000	SHIFT LEVER TRIGGER PULL LEVER KIT X01 EAGLE, RIGHT
3	11.7018.060.000	SHIFT LEVER TRIGGER COVER KIT X01 EAGLE RIGHT RED
3	11.7018.060.010	SHIFT LEVER TRIGGER COVER KIT X01 EAGLE RIGHT NEUTRAL
ns	11.7018.062.000	SHIFT LEVER TRIGGER XX1/X01 EAGLE TRIGGER CLAMP AND BOLT KIT QTY 1





SRAM GX EAGLE - TRIGGER SHIFTER

SL-GX-1-A1 / SL-GX1-PA-B1

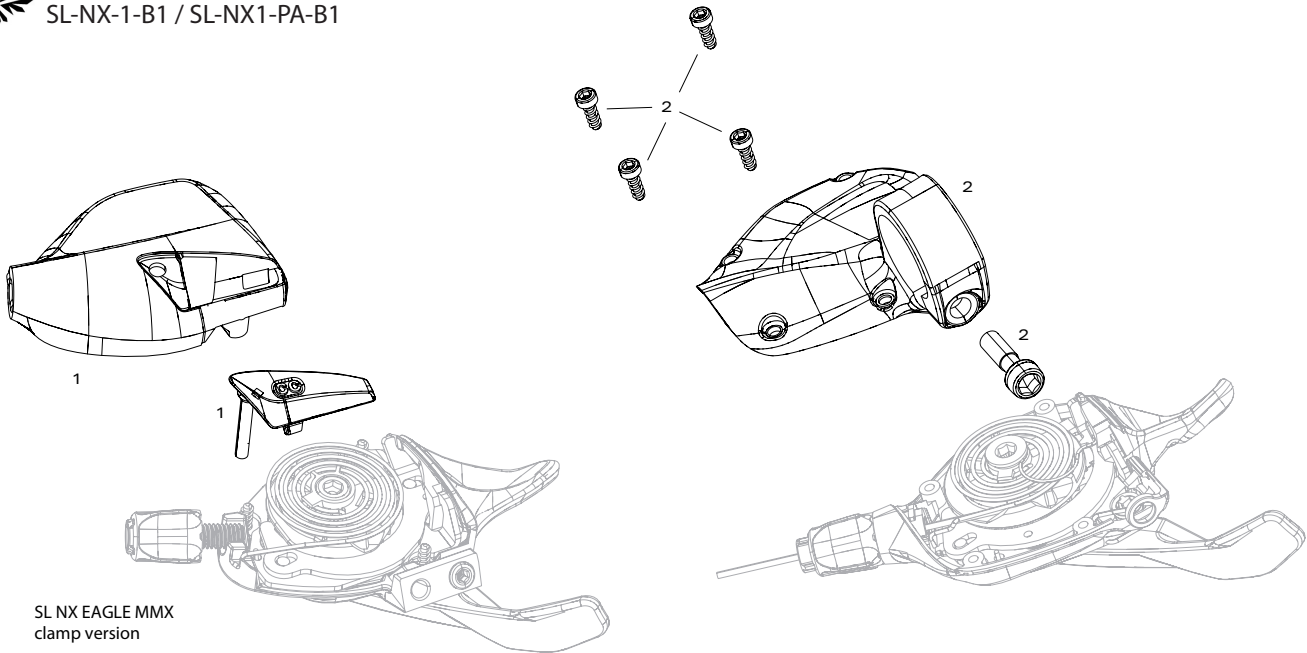


NO.	PART NUMBER	DESCRIPTION
1	11.7018.071.000	SHIFT LEVER TRIGGER COVER KIT GX EAGLE RIGHT BLACK



SRAM NX EAGLE - TRIGGER SHIFTER

SL-NX-1-B1 / SL-NX1-PA-B1



SL NX EAGLE MMX clamp version

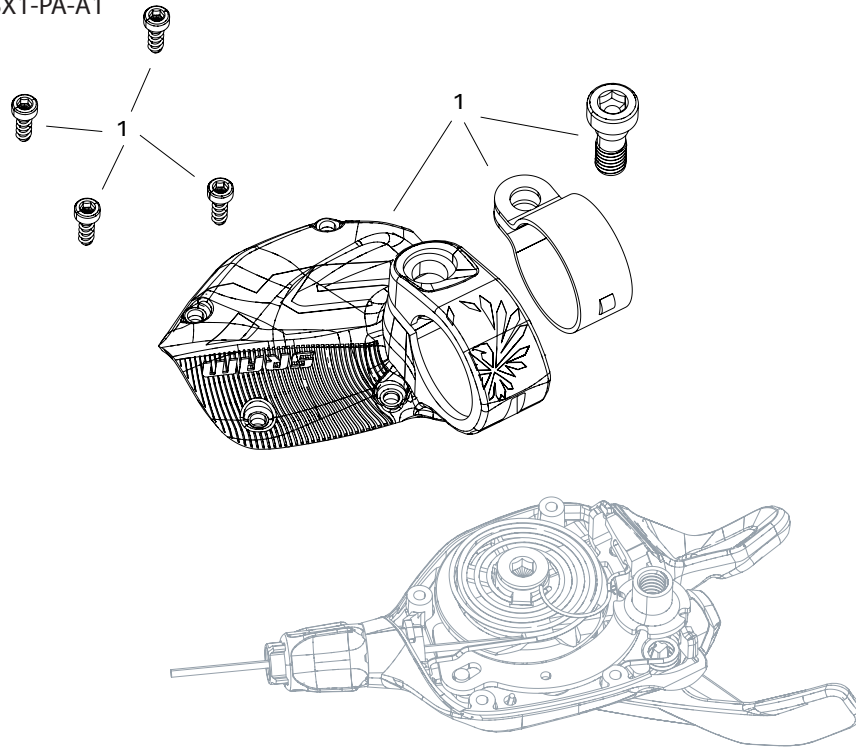
NO.	PART NUMBER	DESCRIPTION
1	11.7018.074.001	SHIFT LEVER TRIGGER MMX COVER KIT NX EAGLE
2	11.7018.074.000	SHIFT LEVER TRIGGER COVER KIT NX EAGLE





SRAM SX EAGLE - TRIGGER SHIFTER

SL-SX-1-A1 / SL-SX1-PA-A1

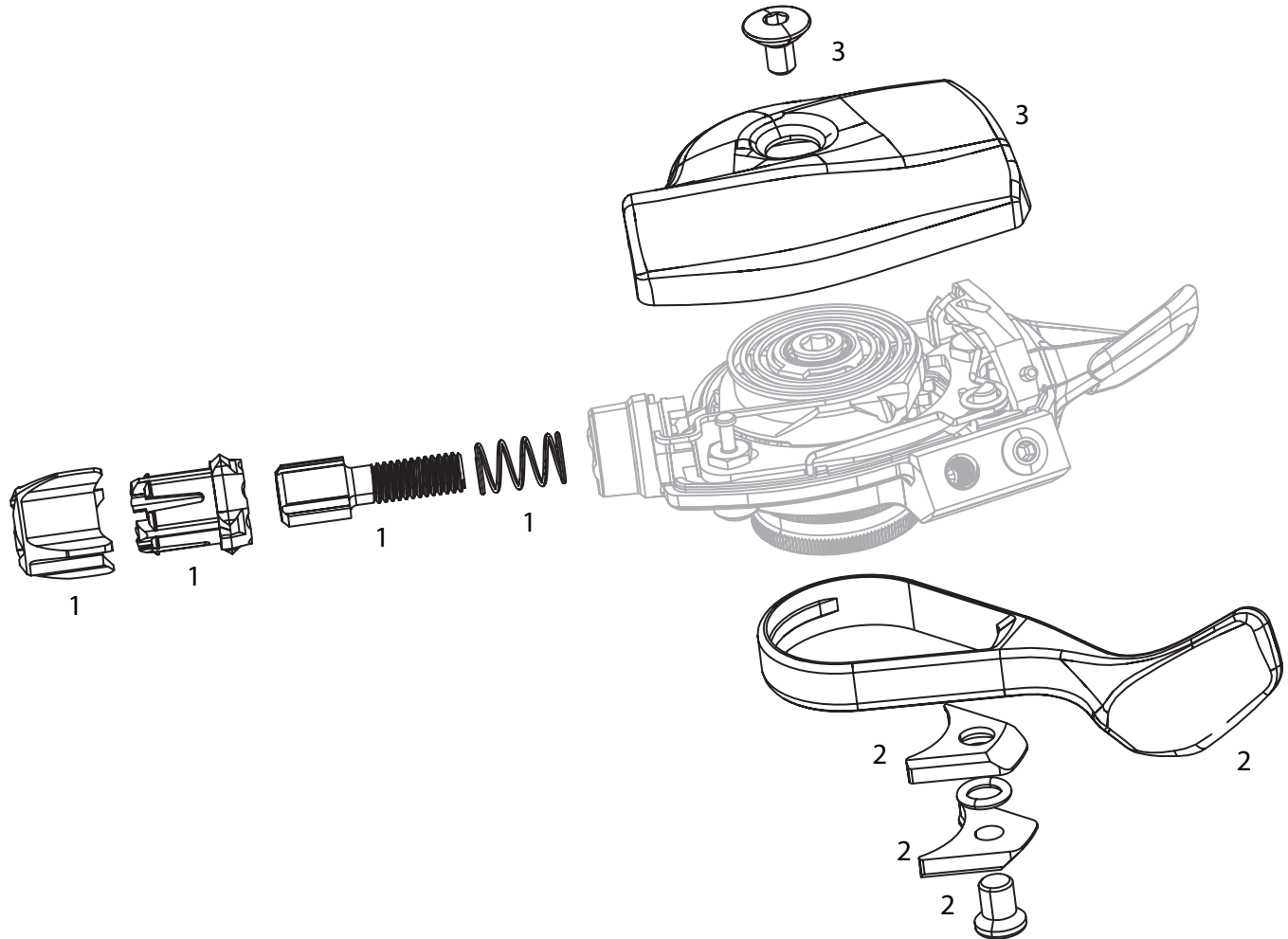


NO.	PART NUMBER	DESCRIPTION
1	11.7018.083.000	SHIFT LEVER TRIGGER COVER KIT SX EAGLE

SRAM XX1 / X01 / X01DH / EX1 - TRIGGER SHIFTER 1X



SL-XX-11-A1 / SL-X0-11-A1 / SL-X0-DH-A1 / SL-EX1-A1



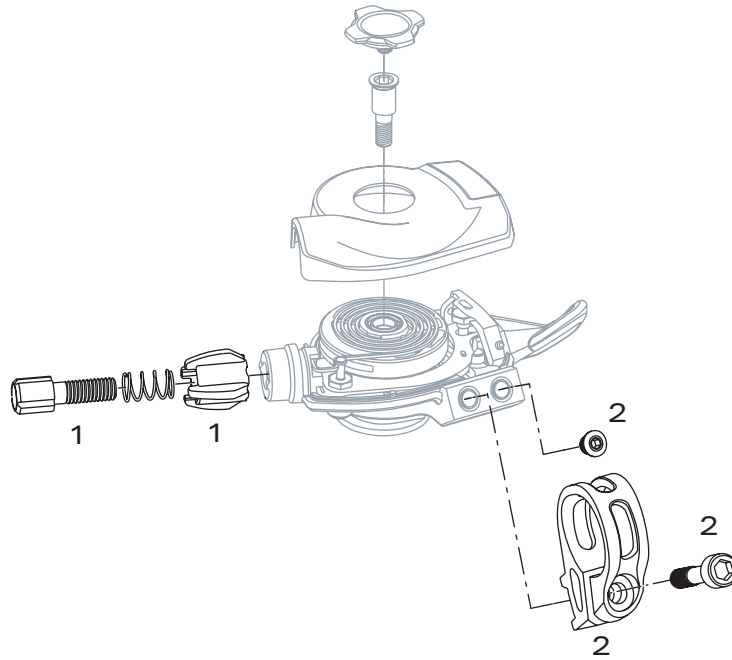
NO.	PART NUMBER	DESCRIPTION
1	11.7018.012.000	SHIFT LEVER TRIGGER BARREL ADJUSTER KIT XX1
2	11.7018.013.000	SHIFT LEVER TRIGGER PULL LEVER KIT XX1 RED, RIGHT
2	11.7018.032.000	SHIFT LEVER TRIGGER PULL LEVER KIT X01/DH, RIGHT
3	11.7018.014.000	SHIFT LEVER TRIGGER COVER KIT XX1, RIGHT
4	11.7018.065.000	SHIFT LEVER TRIGGER PULL LEVER KIT EX1 RIGHT
ns	11.7015.074.000	SHIFT LEVER TRIGGER CLAMP/BOLT KIT XX1/XX QTY 1



SRAM X0 - TRIGGER SHIFTER 3x9 (2006-2012)



SL-X0-A1

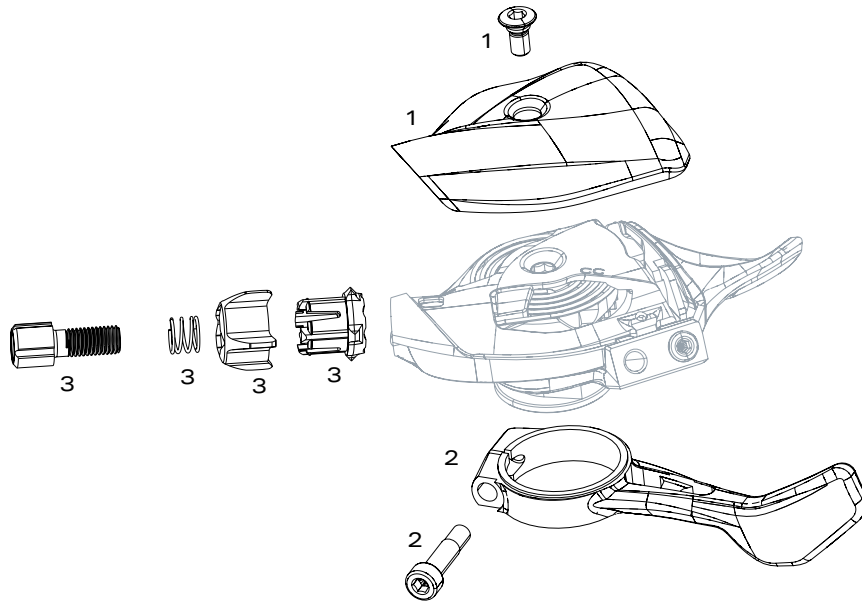


NO.	PART NUMBER	DESCRIPTION
1	11.7015.024.000	SHIFT LEVER TRIGGER BARREL ADJUSTER 07-09 X0/X9 QTY 2 (M6, 3PC)
2	11.7015.033.000	SHIFT LEVER TRIGGER CLAMP/BOLT KIT 07-09 X0/X9/X7, QTY 1
2	11.7015.033.020	SHIFT LEVER TRIGGER CLAMP KIT X0 RED QTY 1



SRAM X01 DH (2019-) - TRIGGER SHIFTER

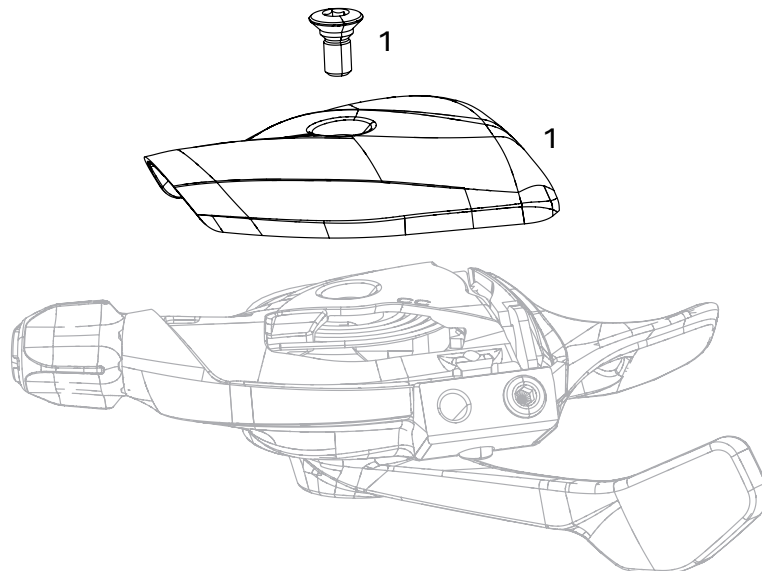
SL-X0-DH-A2



NO.	PART NUMBER	DESCRIPTION
1	11.7018.084.000	SHIFT LEVER TRIGGER COVER KIT X01 DH RIGHT RED
1	11.7018.084.001	SHIFT LEVER TRIGGER COVER KIT X01 DH RIGHT BLACK
2	11.7018.084.002	SHIFT LEVER TRIGGER PULL LEVER KIT X01 DH RIGHT
3	11.7018.055.010	SHIFT LEVER TRIGGER BARREL ADJUSTER KIT XX1/X01 EAGLE BLACK

SRAM GX DH (2019-) - TRIGGER SHIFTER

SL-GX-DH-A2

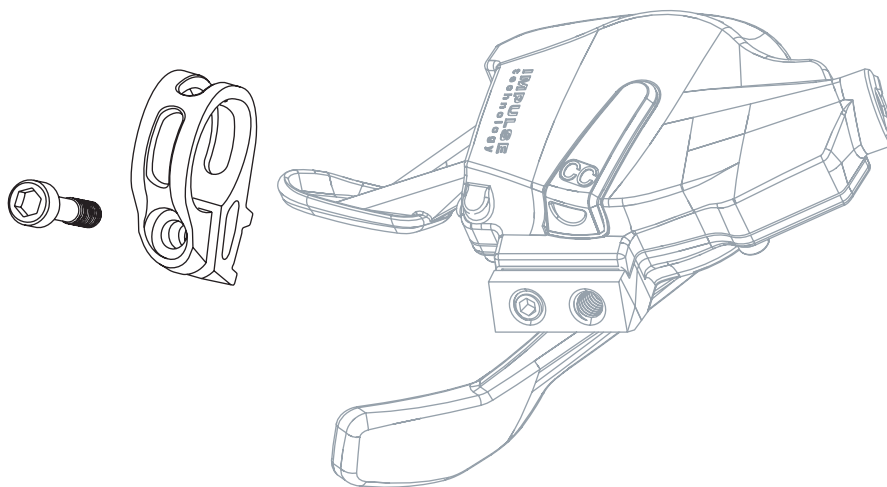


NO.	PART NUMBER	DESCRIPTION
1	11.7018.084.003	SHIFT LEVER TRIGGER COVER KIT GX DH RIGHT BLACK/POLAR

SRAM X9 / X7 / X5 / ViaGT - TRIGGER SHIFTER 2x10, 3x10 (2011-2012)



SL-X9-A1 / SL-X7-A1 / SL-X5-A1 / SL-VIA-GT-A1

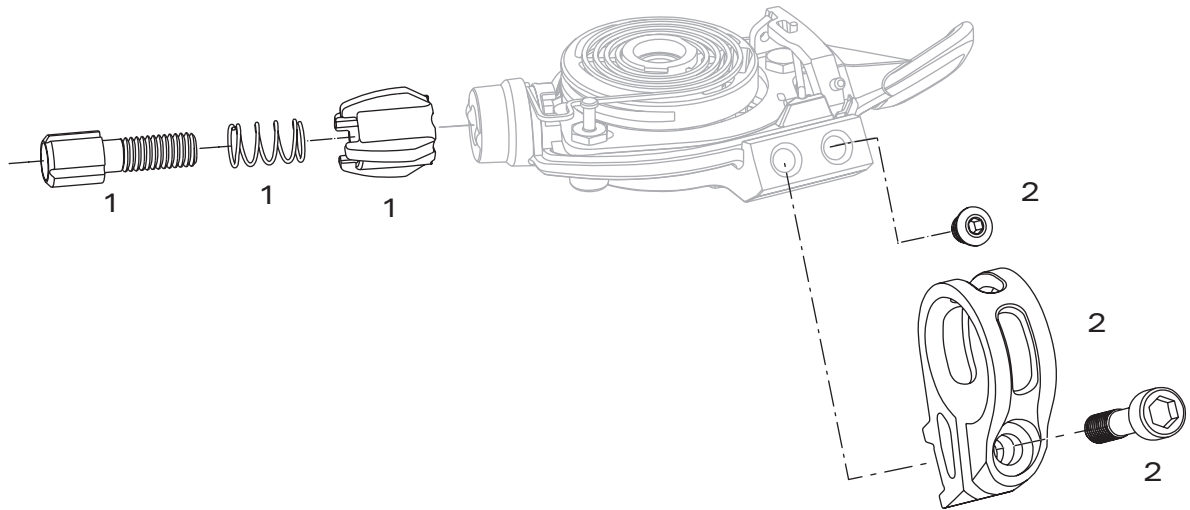


NO.	PART NUMBER	DESCRIPTION
1	11.7015.033.000	SHIFT LEVER TRIGGER CLAMP/BOLT KIT 07-09 X0/X9/X7, QTY 1
1	11.7015.033.070	SHIFT LEVER TRIGGER CLAMP/BOLT KIT SHINY BLACK QTY 1



SRAM X9/X7 - TRIGGER SHIFTER 3x9 (2007-2012)

SL-X9-A1 / SL-X7-A1



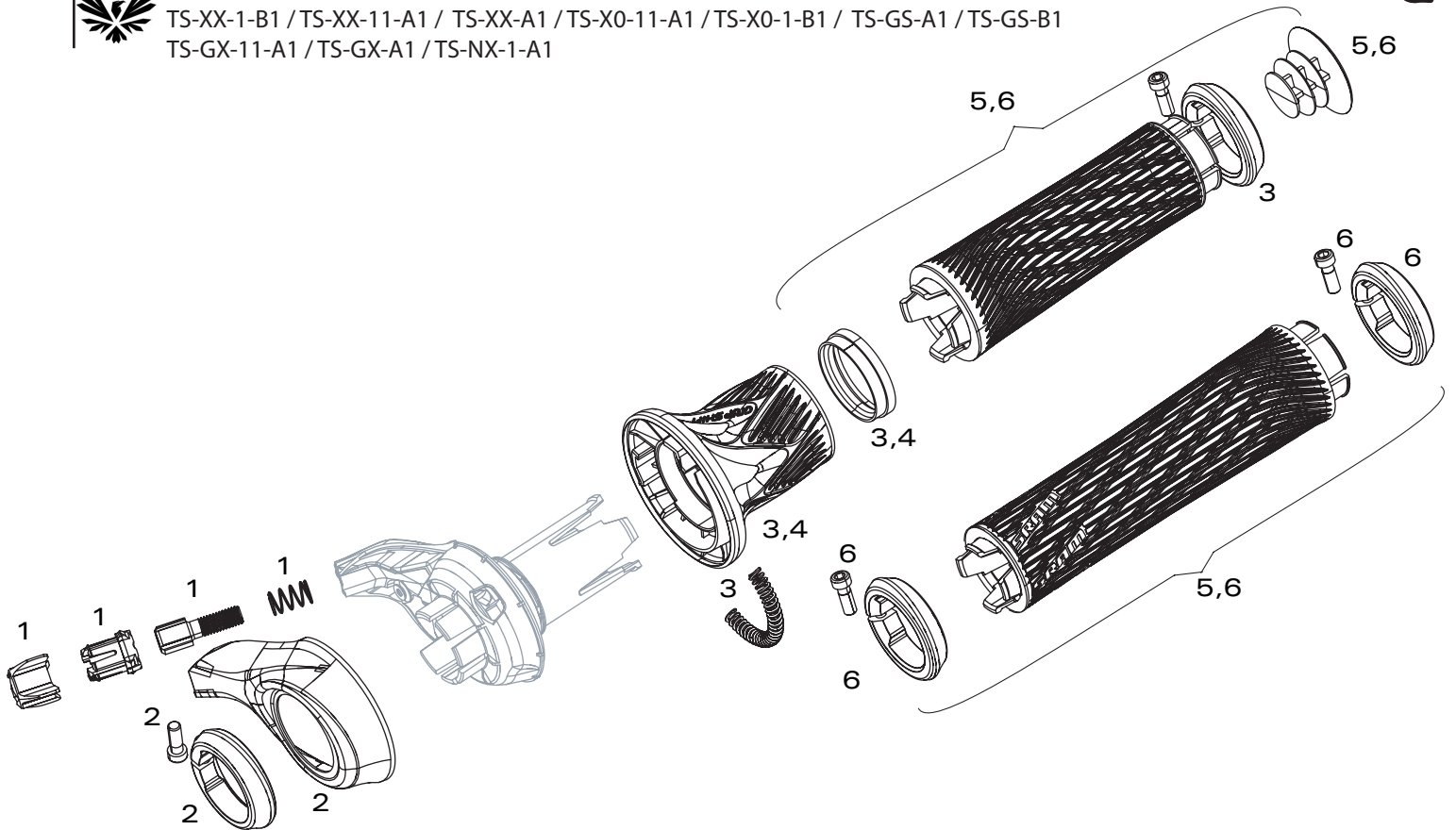
NO.	PART NUMBER	DESCRIPTION
1	11.7015.024.000	SHIFT LEVER TRIGGER BARREL ADJUSTER 07-09 X0/X9 QTY 2 (M6, 3PC)
2	11.7015.033.000	SHIFT LEVER TRIGGER CLAMP/BOLT KIT 07-09 X0/X9/X7, QTY 1
2	11.7015.033.070	SHIFT LEVER TRIGGER CLAMP/BOLT KIT SHINY BLACK QTY 1





SRAM XX1 EAGLE / XX1 / XX / X0 / X01 / GX / NX GRIP SHIFT

TS-XX-1-B1 / TS-XX-11-A1 / TS-XX-A1 / TS-X0-11-A1 / TS-X0-1-B1 / TS-GS-A1 / TS-GS-B1
 TS-GX-11-A1 / TS-GX-A1 / TS-NX-1-A1



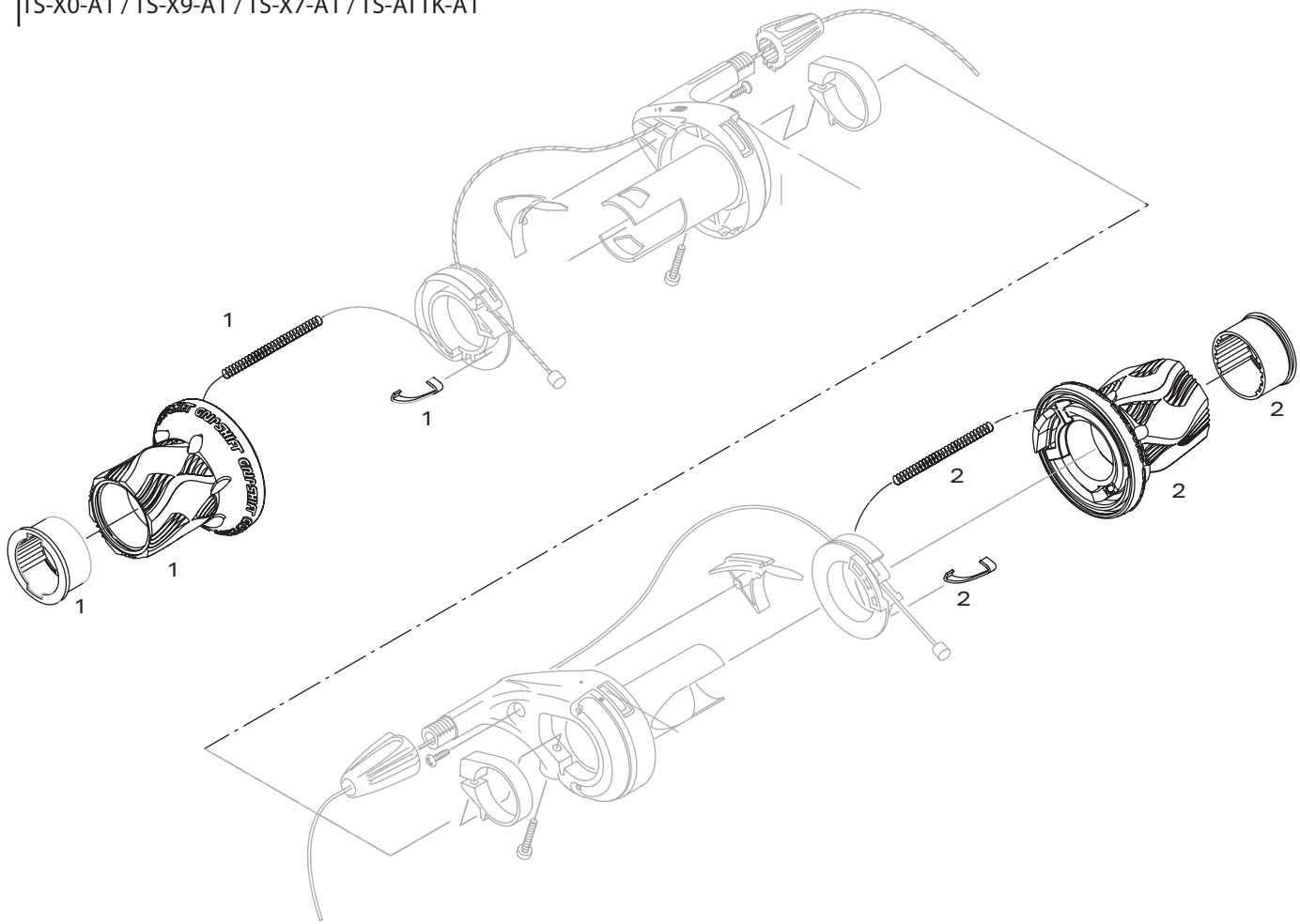
NO.	PART NUMBER	DESCRIPTION
1	11.7018.006.001	TWIST SHIFTER BARREL ADJUSTER KIT BLACK X0/XX1 QTY 1
2	11.7018.061.000	TWIST SHIFTER GRIP SHIFT COVER/CLAMP KIT XX1 EAGLE GOLD, RIGHT QTY 1
2	11.7018.061.010	TWIST SHIFTER GRIP SHIFT COVER/CLAMP KIT XX1 EAGLE BLACK, RIGHT QTY 1
2	11.7018.061.020	TWIST SHIFTER COVER AND CLAMP KIT X01 EAGLE GRIP SHIFT RED, RIGHT QTY 1
2	11.7018.061.030	TWIST SHIFTER COVER AND CLAMP KIT X01 EAGLE GRIP SHIFT BLACK, RIGHT QTY 1
3	11.7018.010.000	TWIST SHIFTER GRIP INCLUDING SPRING AND LOCKRINGS XX/X0 FRONT
3	11.7018.010.001	TWIST SHIFTER GRIP INCLUDING SPRING AND LOCKRINGS XX1/XX/X0 REAR
4	11.7018.010.002	TWIST SHIFTER GRIP INCLUDING LOCKRING XX1/X01/NON SERIES EAGLE
5	00.7918.013.000	LOCKING GRIPS FOR GRIP SHIFT INTEGRATED 100MM WITH SILVER CLAMPS AND END PLUG
5	00.7918.013.001	LOCKING GRIPS FOR GRIP SHIFT INTEGRATED 100MM WITH BLACK CLAMPS AND END PLUG
5	00.7918.013.002	LOCKING GRIPS FOR GRIP SHIFT FULL LENGTH 122MM WITH SILVER CLAMPS AND END PLUG
5	00.7918.013.003	LOCKING GRIPS FOR GRIP SHIFT FULL LENGTH 122MM WITH BLACK CLAMPS AND END PLUG
5	00.7918.013.004	LOCKING GRIPS FOR XX1 GRIP SHIFT 100MM AND 122MM WITH SILVER CLAMPS AND END PLUG
6	00.7918.013.005	LOCKING GRIPS FOR XX1 GRIP SHIFT 100MM AND 122MM WITH BLACK CLAMPS AND END PLUG



SRAM X0 / X9 / X7 / ROCKET / ATTACK - TWIST SHIFTER 3x9 (2005-2011)



TS-X0-A1 / TS-X9-A1 / TS-X7-A1 / TS-ATTK-A1



NO.	PART NUMBER	DESCRIPTION
1	00.0000.200.598	TWIST SHIFTER GRIP ASSEMBLY X0, LEFT, MICRO ADJUST 3 SPEED
1	00.0000.200.599	TWIST SHIFTER GRIP ASSEMBLY X0, LEFT, INDEX ADJUST 3 SPEED
1	00.0000.200.562	TWIST SHIFTER GRIP ASSEMBLY X9/ROCKET, LEFT, MICRO ADJUST
1	00.0000.200.597	TWIST SHIFTER GRIP ASSEMBLY X7/ATTACK, LEFT, INDEX
2	00.0000.200.610	TWIST SHIFTER GRIP ASSEMBLY X0, RIGHT 8/9 SPEED
2	00.0000.200.606	TWIST SHIFTER GRIP ASSEMBLY X9, RIGHT, 8/9 SPEED
2	00.0000.200.608	TWIST SHIFTER GRIP ASSEMBLY X7, RIGHT, 8/9 SPEED
2	00.0000.200.609	TWIST SHIFTER GRIP ASSEMBLY ATTACK, RIGHT 8/9 SPEED



CRANK LEFT ARMS / SPIDER / CRANK (CHAIN RING) BOLTS

PART NUMBER DESCRIPTION

CRANK LEFT ARM

11.6118.057.000 CRANK LEFT ARM XX1 EAGLE GXP 170MM BLACK
11.6118.057.001 CRANK LEFT ARM XX1 EAGLE GXP 175MM BLACK
11.6118.057.002 CRANK LEFT ARM XX1 EAGLE GXP 170MM GOLD
11.6118.057.003 CRANK LEFT ARM XX1 EAGLE GXP 175MM GOLD
11.6118.056.000 CRANK LEFT ARM X01 EAGLE GXP 170MM BLACK
11.6118.056.001 CRANK LEFT ARM X01 EAGLE GXP 175MM BLACK
11.6118.056.002 CRANK LEFT ARM X01 EAGLE GXP 175MM RED
11.6118.056.003 CRANK LEFT ARM X01 EAGLE GXP 170MM RED
11.6118.039.000 CRANK LEFT ARM GX 1000 GXP BLACK 175MM
11.6118.055.000 CRANK LEFT ARM GX EAGLE GXP 165MM BLACK
11.6118.055.010 CRANK LEFT ARM GX EAGLE GXP 170MM BLACK
11.6118.055.020 CRANK LEFT ARM GX EAGLE GXP 175MM BLACK
11.6115.548.010 CRANK LEFT ARM X5 GXP 175MM BLACK
11.6118.058.002 CRANK LEFT ARM STYLO CARBON EAGLE GXP 175MM NEUTRAL
11.6118.058.003 CRANK LEFT ARM STYLO CARBON EAGLE GXP 170MM NEUTRAL
11.6118.059.000 CRANK LEFT ARM DESCENDANT CARBON EAGLE GXP 175MM NEUTRAL
11.6118.059.001 CRANK LEFT ARM DESCENDANT CARBON EAGLE GXP 170MM NEUTRAL
11.6118.058.000 CRANK LEFT ARM STYLO ALUMINUM 6K EAGLE GXP 175MM BLACK
11.6118.058.001 CRANK LEFT ARM STYLO ALUMINUM 6K EAGLE GXP 170MM BLACK
11.6118.059.002 CRANK LEFT ARM DESCENDANT ALUMINUM 6K EAGLE GXP 175MM BLACK
11.6118.059.003 CRANK LEFT ARM DESCENDANT ALUMINUM 6K EAGLE GXP 170MM BLACK
11.6100.023.070 CRANK LEFT ARM BLAZE ISIS 175MM PITCH BLACK
11.6115.052.000 CRANK LEFT ARM 5D/FIVED SQUARE 170MM PITCH BLACK
11.6115.054.000 CRANK LEFT ARM 5D/FIVED SQUARE 175MM PITCH BLACK
11.6115.178.000 CRANK LEFT ARM BLAZE POWERSPLINE 170MM PITCH BLACK
11.6115.179.000 CRANK LEFT ARM BLAZE POWERSPLINE 175MM PITCH BLACK
11.6115.287.000 CRANK LEFT ARM FIREX GXP 175MM BLAST BLACK

CRANK

11.6115.530.060 CRANK ARM BOLT KIT M18/M30 ALLOY SELF-EXTRACTING BB30 RIGHT QTY 1
11.6900.002.020 CRANK ARM BOLT KIT M12 CAPLESS QTY 2 FOR HOWITZER
11.6900.002.040 CRANK ARM BOLT KIT M12/M22 CRMO SELF-EXTRACTING QTY 2 FOR HOWITZER
11.6915.027.000 CRANK ARM BOLT KIT M15/M22 ALLOY SELF-EXTRACTING GXP QTY 1
11.6900.002.070 CRANK ARM BOLT KIT M15/M22 ALLOY SELF-EXTRACTING, QTY 2
11.6900.002.160 CRANK ARM BOLT KIT M15/M26 ALLOY SELF-EXTRACTING GXP BLACK QTY 1
11.6115.530.080 CRANK ARM BOLT KIT SELF EXTRACTING M15/M22 GXP BLACK
11.6115.530.000 CRANK ARM BOLT KIT SELF EXTRACTING M15/M26 GXP RED
11.6118.060.001 CRANK ARM BOLT KIT SELF-EXTRACTING M18/M30 DUB BLACK
11.6118.060.000 CRANK ARM BOLT KIT SELF-EXTRACTING M18/M30 DUB GOLD
11.6118.061.000 CRANK ARM BOLT KIT SELF-EXTRACTING M18/M30 DUB BLACK STEALTH
11.6915.017.000 CRANK CHAINRING BOLT KIT 4-ARM DOUBLE FOR ROCK GUARD LONG STEEL BLACK
11.6915.007.000 CRANK CHAINRING BOLT KIT 4-ARM SINGLE FOR BASH GUARD LONG STEEL BLACK
11.6915.006.000 CRANK CHAINRING BOLT KIT 4-ARM SINGLE NO GUARD STEEL BLACK
11.6915.005.000 CRANK CHAINRING BOLT KIT 4-ARM SINGLE WITH ALUMINUM GUARD STEEL BLACK
11.6915.004.000 CRANK CHAINRING BOLT KIT 4-ARM TRIPLE ALUMINUM/STAINLESS BLACK
11.6915.016.000 CRANK CHAINRING BOLT KIT 4-ARM TRIPLE STEEL/STEEL BLACK
11.6215.193.050 CRANK CHAINRING BOLT KIT 4X1 FOR GUARD MOUNT ALUMINUM BLACK QTY 4
11.6215.193.080 CRANK CHAINRING BOLT KIT 4X2 ALUMINUM/STEEL BLACK QTY 4
11.6215.193.070 CRANK CHAINRING BOLT KIT 4X2 STEEL BLACK QTY 4
11.6915.015.000 CRANK CHAINRING BOLT KIT 5-ARM SINGLE STEEL INCLUDING SPACERS BLACK
11.6915.018.000 CRANK CHAINRING BOLT KIT 5-ARM TRIPLE ALUMINUM/STEEL SILVER
11.6915.011.000 CRANK CHAINRING BOLT KIT 5-ARM TRIPLE STEEL/STEEL BLACK
11.6218.034.000 CRANK CHAINRING BOLT KIT GX1000 CRANK ALUMINUM BLACK
11.6215.193.060 CRANK CHAINRING BOLT KIT XX 4X2 ALUMINUM GREY QTY 4
11.6918.001.000 CRANK CHAINRING BOLT KIT XX1 4-ARM ALUMINUM ZEPHYR GREY
11.6918.002.000 CRANK CHAINRING NUT SPACER KIT 2MM ALUMINUM BLACK QTY5
11.6918.003.000 CRANK CHAINRING BOLT KIT X01/DH 4-ARM ALUMINUM BLACK
11.6918.005.000 CRANK CHAINRING BOLT KIT 4-ARM STEEL/STEEL BLACK INCLUDING SET BOLT AND NUTS EAGLE EMTB

00.6118.444.000 XX1/X01 CRANK ARM GUARD BLACK QUANTITY 2



SPIDER / BOTTOM BRACKET / CASSETTE

PART NUMBER	DESCRIPTION
SPIDER	
11.6118.026.000	CRANK BOLT KIT REMOVABLE SPIDER MOUNTING TORX T25 QTY 3
11.6118.063.000	CRANK BOLT KIT REMOVABLE SPIDER MOUNTING TORX T20 QTY 8
11.7918.003.000	TORX TOOL T20 (INCLUDES 200MM T20 DRIVER BIT WITH T-HANDLE AND QTY 8 M4 TORX SPIDER MOUNTING BOLTS)
CASSETTE	
11.2415.022.000	CASSETTE LOCKRING ALUMINUM PG990, PG970 DH FOR 11T RED
11.2415.013.000	CASSETTE LOCKRING ALUMINUM OG1070, PG970 FOR 12T
11.2415.027.010	CASSETTE LOCKRING STEEL PG1050, PG950 12T
11.2418.008.000	CASSETTE REPLACEABLE COGS PG-1210/1230 11T-13T-15T INCLUDING LOCKRING
BOTTOM BRACKET	
00.6415.027.000	BB AMERICAN-TO-EURO BMX ADAPTER
00.6415.032.040	BB30 TO BSA ADAPTOR KIT WITHOUT TOOLS
11.6415.005.000	BOTTOM BRACKET BB30 SPACER KIT 2 X 2.5MM
11.6415.001.000	BOTTOM BRACKET BEARING ADJUSTER BB30 PRESSFIT 30
11.6415.004.000	BOTTOM BRACKET GXP DRIVE SIDE REDUCER SHIELD QTY 10
11.6418.001.001	BOTTOM BRACKET PRELOAD ADJUSTER KIT DUB (INCLUDING SCREW, OUTERRING AND 2 INNERRINGS NON-FLANGED & FLANGED)
11.6415.007.030	BOTTOM BRACKET SHIELD AND WAVE WASHER ASSEMBLY PRESSFIT 30 BEARING
11.6415.007.010	BOTTOM BRACKET SHIELD AND WAVE WASHER ASSEMBLY PRESSFIT GXP MTB
11.6415.007.040	BOTTOM BRACKET SHIELD AND WAVE WASHER ASSEMBLY PRESSFIT GXP SPECIALIZED 84.5
11.6418.002.001	BOTTOM BRACKET SPACER KIT DUB MTB/ROAD V2 (DUB SPACERS 2.0, 2.5, 3.0, 4.5, 5.5, 6.0, 6.5, 9.0MM AND 2 STANDARD BB SPACERS)
11.6115.533.020	BOTTOM BRACKET SPINDLE SPACER BB30 - DRIVE SIDE 15.46
11.6115.533.010	BOTTOM BRACKET SPINDLE SPACER BB30 - DRIVE SIDE 9.11
11.6418.000.001	BOTTOM BRACKET SPINDLE SPACER KIT, BB30 QUARQ MTB (DRIVE SIDE SPACER 15.46, OUTER/INNER ADJUSTER RINGS AND SCREW)
11.6418.000.000	BOTTOM BRACKET SPINDLE SPACER KIT, BB30 QUARQ ROAD (DRIVE SIDE SPACER 13, NON-DRIVE SIDE SPACER 4.84, PRELOAD ADJUSTER RINGS AND SCREW)
11.6115.552.000	BOTTOM BRACKET WAVE WASHER GXP TO PRESSFIT ADAPTER 24.5MM QTY5
00.6415.049.010	PRESSFIT 30 TO BSA ADAPTER, 68 OR 73MM
00.6415.049.020	PRESSFIT 30 TO BSA ADAPTER, 83MM



CHAIN RINGS MTB non-Eagle

page 1 of 2



PART NUMBER	DESCRIPTION
00.6218.007.000	CHAIN RING X-SYNC SPROCKET FOR BOSCH MOTORS 14T STRAIGHT STEEL BLACK
00.6218.007.001	CHAIN RING X-SYNC SPROCKET FOR BOSCH MOTORS 16T STRAIGHT STEEL BLACK
00.6218.007.002	CHAIN RING X-SYNC SPROCKET FOR BOSCH MOTORS 18T STRAIGHT STEEL BLACK
64 BCD	
11.6215.188.370	CHAIN RING MTB 22T 64 S1 AL3 BLAST BLACK 10 SPEED
11.6218.023.001	CHAIN RING MTB 22T 64 STEEL MATTE BLACK 2X10 NO PIN
11.6218.023.001	CHAIN RING MTB 22T 64 STEEL MATTE BLACK 2X10 NO PIN
11.6215.188.100	CHAIN RING MTB 22T 64 V3 ALUMINUM 3MM RED
11.6215.089.000	CHAIN RING MTB 22T 64 V3 ALUMINUM HARD BLACK
11.6215.128.000	CHAIN RING MTB 22T 64 V3 ALUMINUM TUNGSTEN GREY
11.6215.064.000	CHAIN RING MTB 22T 64 V3 STEEL MATTE BLACK
11.6218.023.000	CHAIN RING MTB 24T 64 AL3 BLAST BLACK 2X11 NO PIN
11.6218.023.000	CHAIN RING MTB 24T 64 AL3 BLAST BLACK 2X11 NO PIN
11.6215.093.000	CHAIN RING MTB 24T 64 B V1 ALUMINUM 3MM BLAST BLACK 9 & 10 SPEED
11.6215.066.000	CHAIN RING MTB 24T 64 V1 STEEL MATTE BLACK
11.6215.092.000	CHAIN RING MTB 26T 64 V1 ALUMINUM 3MM BLAST BLACK
11.6215.188.460	CHAIN RING MTB 32T 64 S1 ALUMINUM 3MM FALCON GREY (48-32)
80 BCD	
11.6215.188.310	CHAIN RING MTB 26T 80 S1 AL3 BLAST BLACK 2X10
11.6215.188.120	CHAIN RING MTB 26T 80 XX S1 AL3 TUNGSTEN GREY 10 SPEED
11.6215.188.300	CHAIN RING MTB 28T 80 S1 AL3 BLAST BLACK 2X10
11.6215.188.130	CHAIN RING MTB 28T 80 XX S1 AL3 TUNGSTEN GREY 10 SPEED
94 BCD	
11.6218.026.000	CHAIN RING X-SYNC STEEL 30T 94BCD STEEL 3.5MM BLACK 11 SPEED
11.6218.026.001	CHAIN RING X-SYNC STEEL 32T 94BCD STEEL 3.5MM BLACK 11 SPEED
104 BCD	
11.6215.088.000	CHAIN RING MTB 32T 104 V7 ALUMINUM HARD BLACK
11.6215.129.000	CHAIN RING MTB 32T 104 V7 ALUMINUM TUNGSTEN GREY
11.6215.063.000	CHAIN RING MTB 32T 104 V7 STEEL MATTEBLACK
11.6215.188.290	CHAIN RING MTB 33T 104 S1 AL5 3X10 BLAST BLACK
11.6218.021.001	CHAIN RING MTB 34T 104 AL5 2X10 LONG PIN BLAST BLACK
11.6218.021.001	CHAIN RING MTB 34T 104 AL5 2X10 LONG PIN BLAST BLACK
11.6218.021.000	CHAIN RING MTB 34T 104 AL5 2X10 MEDIUM PIN BLAST BLACK
11.6218.021.000	CHAIN RING MTB 34T 104 AL5 2X10 MEDIUM PIN BLAST BLACK
11.6218.021.002	CHAIN RING MTB 34T 104 AL5 2X10 NO PIN BLAST BLACK
11.6218.021.002	CHAIN RING MTB 34T 104 AL5 2X10 NO PIN BLAST BLACK
11.6215.097.000	CHAIN RING MTB 34T 104 SS STEEL MATTE BLACK
11.6215.188.390	CHAIN RING MTB 36T 104 AL4 1X10 BLAST BLACK
11.6218.035.000	CHAIN RING MTB 36T 104 AL5 2X10 MEDIUM PIN BLACK
11.6218.022.001	CHAIN RING MTB 36T 104 AL5 2X11 LONG PIN BLAST BLACK
11.6218.022.001	CHAIN RING MTB 36T 104 AL5 2X11 LONG PIN BLAST BLACK
11.6218.022.000	CHAIN RING MTB 36T 104 AL5 2X11 MEDIUM PIN BLAST BLACK
11.6218.022.000	CHAIN RING MTB 36T 104 AL5 2X11 MEDIUM PIN BLAST BLACK
11.6218.022.002	CHAIN RING MTB 36T 104 AL5 2X11 NO PIN BLAST BLACK
11.6218.022.002	CHAIN RING MTB 36T 104 AL5 2X11 NO PIN BLAST BLACK
11.6215.091.000	CHAIN RING MTB 36T 104 ALUMINUM 3MM BLAST BLACK
11.6215.132.000	CHAIN RING MTB 36T 104 ALUMINUM 3MM TUNGSTEN GREY
11.6215.188.430	CHAIN RING MTB 36T 104 S1 49 CHAINLINE AL5 2X10 LONG PIN BLAST BLACK (36/22)
11.6215.188.410	CHAIN RING MTB 36T 104 S1 49 CHAINLINE AL5 2X10 NO PIN BLAST BLACK (36/22)
11.6215.188.320	CHAIN RING MTB 36T 104 S1 AL3 2X10 BLAST BLACK (SPECIALIZED 36/24)
11.6215.098.000	CHAIN RING MTB 36T 104 SS STEEL MATTE BLACK
11.6215.075.000	CHAIN RING MTB 36T 104 SS/DH ALUMINUM 4MM BLAST BLACK
11.6215.065.000	CHAIN RING MTB 36T 104 V2 STEEL MATTE BLACK
11.6215.188.400	CHAIN RING MTB 38T 104 AL4 1X10 BLAST BLACK
11.6215.188.440	CHAIN RING MTB 38T 104 S1 49 CHAINLINE AL5 2X10 LONG PIN BLAST BLACK (38/24)
11.6215.188.420	CHAIN RING MTB 38T 104 S1 49 CHAINLINE AL5 2X10 NO PIN BLAST BLACK (38/24)
11.6215.113.000	CHAIN RING MTB 38T 104 SS ALUMINUM 3MM BLAST BLACK
11.6215.133.000	CHAIN RING MTB 38T 104 SS STEEL MATTE BLACK
11.6215.074.000	CHAIN RING MTB 38T 104 SS/DH ALUMINUM 4MM BLAST BLACK



[More chain rings see next pages](#)



PART NUMBER	DESCRIPTION
11.6215.114.000	CHAIN RING MTB 42T 104 SS ALUMINUM 3MM BLAST BLACK
11.6215.021.010	CHAIN RING MTB 42T 104 SS V1 STEEL BLACK
11.6215.016.000	CHAIN RING MTB 42T 104 V3 STEEL MATTE BLACK
11.6215.186.010	CHAIN RING MTB 44T 104 CAS V4 ALUMINUM 3MM BLAST BLACK
11.6215.186.030	CHAIN RING MTB 44T 104 CAS V4 STEEL MATTE BLACK
11.6215.186.000	CHAIN RING MTB 44T 104 V4 ALUMINUM 3MM BLAST BLACK CNC
11.6215.087.000	CHAIN RING MTB 44T 104 V4 ALUMINUM 4MM HARD BLACK
11.6215.188.050	CHAIN RING MTB 44T 104 V4 G2 ALUMINUM 3MM TAPER RED
11.6215.188.040	CHAIN RING MTB 44T 104 V4 G2 ALUMINUM 3MM TAPER TUNGSTEN GREY
11.6215.015.000	CHAIN RING MTB 44T 104 V4 STEEL MATTE BLACK
11.6215.018.000	CHAIN RING MTB 48T 104 A V2 STEEL MATTE BLACK (48-38-28)
11.6215.017.000	CHAIN RING MTB 48T 104 B V3 STEEL MATTE BLACK (48-36-26)
120 BCD	
11.6215.188.260	CHAIN RING MTB 39T 120 S2 AL6 LONG PIN GXP CNC 2X10 BLACK
11.6215.188.270	CHAIN RING MTB 39T 120 S2 AL6 SHORT PIN BB30 CNC 2X10 BLAST BLACK
11.6215.188.160	CHAIN RING MTB 39T 120 XX S1 AL6 TUNGSTEN GREY C-PIN CANNONDALE 10 SPEED
11.6215.188.140	CHAIN RING MTB 39T 120 XX S1 AL6 TUNGSTEN GREY LONG PIN GXP 10 SPEED
11.6215.188.150	CHAIN RING MTB 39T 120 XX S1 AL6 TUNGSTEN GREY SHORT PIN BB30 10 SPEED
11.6215.188.240	CHAIN RING MTB 42T 120 S2 AL6 LONG PIN GXP CNC 2X10 BLAST BLACK
11.6215.188.230	CHAIN RING MTB 42T 120 S2 AL6 SHORT PIN BB30 CNC 2X10 BLAST BLACK
11.6215.188.170	CHAIN RING MTB 42T 120 XX S1 AL6 TUNGSTEN GREY LONG PIN GXP 10 SPEED
11.6215.188.180	CHAIN RING MTB 42T 120 XX S1 AL6 TUNGSTEN GREY SHORT PIN BB30 10 SPEED
DIRECT MOUNT	
11.6218.018.012	CHAIN RING X-SYNC 28T DIRECT MOUNT 0MM OFFSET ALUM 11 SPEED
11.6218.018.016	CHAIN RING X-SYNC 28T DIRECT MOUNT 3MM OFFSET BOOST ALUM 11 SPEED
11.6218.018.018	CHAIN RING X-SYNC 32T DIRECT MOUNT 3MM OFFSET BOOST ALUM 11 SPEED
11.6218.018.019	CHAIN RING X-SYNC 34T DIRECT MOUNT 3MM OFFSET BOOST ALUM 11 SPEED
11.6218.018.006	CHAIN RING X-SYNC 26T DIRECT MOUNT 6MM OFFSET ALUM 11 SPEED
11.6218.018.007	CHAIN RING X-SYNC 28T DIRECT MOUNT 6MM OFFSET ALUM 11 SPEED
11.6218.027.010	CHAIN RING X-SYNC STEEL 28T DIRECT MOUNT 3MM OFFSET STEEL 3.5MM BLACK 11 SPEED
11.6218.027.020	CHAIN RING X-SYNC STEEL 30T DIRECT MOUNT 3MM OFFSET STEEL 3.5MM BLACK 11 SPEED
11.6218.027.030	CHAIN RING X-SYNC STEEL 32T DIRECT MOUNT 3MM OFFSET STEEL 3.5MM BLACK 11 SPEED



[More chain rings see next pages](#)



CHAIN RINGS MTB - EAGLE

page 1 of 2



PART NUMBER

DESCRIPTION

94 BCD
11.6218.043.000 CHAIN RING X-SYNC 2 30T 94 BCD ALUM EAGLE BLACK LIGHT POWERED EMTB

104 BCD
11.6218.033.000 CHAIN RING X-SYNC 2 32T 104 BCD ALUMINUM EAGLE BLACK
11.6218.033.010 CHAIN RING X-SYNC 2 34T 104 BCD ALUMINUM EAGLE BLACK
11.6218.033.020 CHAIN RING X-SYNC 2 36T 104 BCD ALUMINUM EAGLE BLACK
11.6218.033.030 CHAIN RING X-SYNC 2 38T 104 BCD ALUMINUM EAGLE BLACK

DIRECT MOUNT

BOOST 3MM OFFSET

11.6218.030.050 CHAIN RING X-SYNC 2 30T DIRECT MOUNT 3MM OFFSET BOOST ALUM EAGLE BLACK
11.6218.030.150 CHAIN RING X-SYNC 2 30T DIRECT MOUNT 3MM OFFSET BOOST ALUM EAGLE GOLD
11.6218.030.240 CHAIN RING X-SYNC 2 30T DIRECT MOUNT 3MM OFFSET BOOST COLD FORGED ALUMINUM BLACK
11.6218.046.004 CHAIN RING X-SYNC 2 30T DIRECT MOUNT 3MM OFFSET BOOST EAGLE LUNAR GREY (FINISH OF GX EAGLE C1 MATCHES CRANK ARMS)
11.6218.047.005 CHAIN RING X-SYNC 2 30T DIRECT MOUNT 3MM OFFSET BOOST EAGLE LUNAR/POLAR GREY
11.6218.042.005 CHAIN RING X-SYNC 2 30T DIRECT MOUNT 3MM OFFSET BOOST EAGLE POLAR GREY

11.6218.030.060 CHAIN RING X-SYNC 2 32T DIRECT MOUNT 3MM OFFSET BOOST ALUM EAGLE BLACK
11.6218.030.160 CHAIN RING X-SYNC 2 32T DIRECT MOUNT 3MM OFFSET BOOST ALUM EAGLE GOLD
11.6218.030.260 CHAIN RING X-SYNC 2 32T DIRECT MOUNT 3MM OFFSET BOOST COLD FORGED ALUMINUM BLACK
11.6218.046.005 CHAIN RING X-SYNC 2 32T DIRECT MOUNT 3MM OFFSET BOOST EAGLE LUNAR GREY (FINISH OF GX EAGLE C1 MATCHES CRANK ARMS)
11.6218.047.006 CHAIN RING X-SYNC 2 32T DIRECT MOUNT 3MM OFFSET BOOST EAGLE LUNAR/POLAR GREY
11.6218.042.006 CHAIN RING X-SYNC 2 32T DIRECT MOUNT 3MM OFFSET BOOST EAGLE POLAR GREY

11.6218.030.070 CHAIN RING X-SYNC 2 34T DIRECT MOUNT 3MM OFFSET BOOST ALUM EAGLE BLACK
11.6218.030.170 CHAIN RING X-SYNC 2 34T DIRECT MOUNT 3MM OFFSET BOOST ALUM EAGLE GOLD
11.6218.030.280 CHAIN RING X-SYNC 2 34T DIRECT MOUNT 3MM OFFSET BOOST COLD FORGED ALUMINUM BLACK
11.6218.046.006 CHAIN RING X-SYNC 2 34T DIRECT MOUNT 3MM OFFSET BOOST EAGLE LUNAR GREY (FINISH OF GX EAGLE C1 MATCHES CRANK ARMS)
11.6218.047.007 CHAIN RING X-SYNC 2 34T DIRECT MOUNT 3MM OFFSET BOOST EAGLE LUNAR/POLAR GREY
11.6218.042.007 CHAIN RING X-SYNC 2 34T DIRECT MOUNT 3MM OFFSET BOOST EAGLE POLAR GREY

11.6218.030.080 CHAIN RING X-SYNC 2 36T DIRECT MOUNT 3MM OFFSET BOOST ALUM EAGLE BLACK
11.6218.030.180 CHAIN RING X-SYNC 2 36T DIRECT MOUNT 3MM OFFSET BOOST ALUM EAGLE GOLD
11.6218.047.008 CHAIN RING X-SYNC 2 36T DIRECT MOUNT 3MM OFFSET BOOST EAGLE LUNAR/POLAR GREY
11.6218.042.008 CHAIN RING X-SYNC 2 36T DIRECT MOUNT 3MM OFFSET BOOST EAGLE POLAR GREY

11.6218.030.090 CHAIN RING X-SYNC 2 38T DIRECT MOUNT 3MM OFFSET BOOST ALUM EAGLE BLACK
11.6218.030.190 CHAIN RING X-SYNC 2 38T DIRECT MOUNT 3MM OFFSET BOOST ALUM EAGLE GOLD
11.6218.042.009 CHAIN RING X-SYNC 2 38T DIRECT MOUNT 3MM OFFSET BOOST EAGLE POLAR GREY

11.6218.038.000 CHAIN RING X-SYNC 2 OVAL 32T DIRECT MOUNT 3MM OFFSET BOOST ALUM EAGLE BLACK
11.6218.038.020 CHAIN RING X-SYNC 2 OVAL 34T DIRECT MOUNT 3MM OFFSET BOOST ALUM EAGLE BLACK
11.6218.038.040 CHAIN RING X-SYNC 2 OVAL 36T DIRECT MOUNT 3MM OFFSET BOOST ALUM EAGLE BLACK
11.6218.038.060 CHAIN RING X-SYNC 2 OVAL 38T DIRECT MOUNT 3MM OFFSET BOOST ALUM EAGLE BLACK

11.6218.040.001 CHAIN RING X-SYNC 2 SL 32T DIRECT MOUNT 3MM OFFSET BOOST EAGLE BLACK
11.6218.040.000 CHAIN RING X-SYNC 2 SL 32T DIRECT MOUNT 3MM OFFSET BOOST EAGLE GOLD
11.6218.040.003 CHAIN RING X-SYNC 2 SL 34T DIRECT MOUNT 3MM OFFSET BOOST EAGLE BLACK
11.6218.040.002 CHAIN RING X-SYNC 2 SL 34T DIRECT MOUNT 3MM OFFSET BOOST EAGLE GOLD
11.6218.040.007 CHAIN RING X-SYNC 2 SL 36T DIRECT MOUNT 3MM OFFSET BOOST EAGLE BLACK
11.6218.040.006 CHAIN RING X-SYNC 2 SL 36T DIRECT MOUNT 3MM OFFSET BOOST EAGLE GOLD
11.6218.040.011 CHAIN RING X-SYNC 2 SL 38T DIRECT MOUNT 3MM OFFSET BOOST EAGLE BLACK
11.6218.040.010 CHAIN RING X-SYNC 2 SL 38T DIRECT MOUNT 3MM OFFSET BOOST EAGLE GOLD
11.6218.042.015 CHAIN RING X-SYNC 2 30T DIRECT MOUNT 3MM OFFSET BOOST EAGLE LUNAR GREY
11.6218.042.016 CHAIN RING X-SYNC 2 SL 32T DIRECT MOUNT 3MM OFFSET BOOST EAGLE LUNAR GREY
11.6218.042.017 CHAIN RING X-SYNC 2 SL 34T DIRECT MOUNT 3MM OFFSET BOOST EAGLE LUNAR GREY
11.6218.042.018 CHAIN RING X-SYNC 2 SL 36T DIRECT MOUNT 3MM OFFSET BOOST EAGLE LUNAR GREY
11.6218.042.019 CHAIN RING X-SYNC 2 SL 38T DIRECT MOUNT 3MM OFFSET BOOST EAGLE LUNAR GREY
11.6218.041.003 CHAIN RING X-SYNC 2 STEEL 30T DIRECT MOUNT 3MM OFFSET BOOST EAGLE BLACK
11.6218.041.004 CHAIN RING X-SYNC 2 STEEL 32T DIRECT MOUNT 3MM OFFSET BOOST EAGLE BLACK
11.6218.041.005 CHAIN RING X-SYNC 2 STEEL 34T DIRECT MOUNT 3MM OFFSET BOOST EAGLE BLACK





PART NUMBER DESCRIPTION

FAT BIKE -4MM OFFSET

- 11.6218.030.200 CHAIN RING X-SYNC 2 30T DIRECT MOUNT -4MM OFFSET ALUM EAGLE BLACK
- 11.6218.046.000 CHAIN RING X-SYNC 2 30T DIRECT MOUNT -4MM OFFSET EAGLE LUNAR GREY (FINISH OF GX EAGLE C1 CHAIN RING MATCHES CRANK ARMS)
- 11.6218.047.000 CHAIN RING X-SYNC 2 30T DIRECT MOUNT -4MM OFFSET EAGLE LUNAR/POLAR GREY

NON-BOOST 6MM OFFSET

- 11.6218.030.000 CHAIN RING X-SYNC 2 30T DIRECT MOUNT 6MM OFFSET ALUM EAGLE BLACK
- 11.6218.030.100 CHAIN RING X-SYNC 2 30T DIRECT MOUNT 6MM OFFSET ALUM EAGLE GOLD
- 11.6218.030.250 CHAIN RING X-SYNC 2 30T DIRECT MOUNT 6MM OFFSET COLD FORGED ALUMINUM BLACK
- 11.6218.046.001 CHAIN RING X-SYNC 2 30T DIRECT MOUNT 6MM OFFSET EAGLE LUNAR GREY (FINISH OF GX EAGLE C1 MATCHES CRANK ARMS)
- 11.6218.047.001 CHAIN RING X-SYNC 2 30T DIRECT MOUNT 6MM OFFSET EAGLE LUNAR/POLAR GREY
- 11.6218.042.000 CHAIN RING X-SYNC 2 30T DIRECT MOUNT 6MM OFFSET EAGLE POLAR GREY
- 11.6218.030.010 CHAIN RING X-SYNC 2 32T DIRECT MOUNT 6MM OFFSET ALUM EAGLE BLACK
- 11.6218.030.110 CHAIN RING X-SYNC 2 32T DIRECT MOUNT 6MM OFFSET ALUM EAGLE GOLD
- 11.6218.030.270 CHAIN RING X-SYNC 2 32T DIRECT MOUNT 6MM OFFSET COLD FORGED ALUMINUM BLACK
- 11.6218.046.002 CHAIN RING X-SYNC 2 32T DIRECT MOUNT 6MM OFFSET EAGLE LUNAR GREY (FINISH OF GX EAGLE C1 MATCHES CRANK ARMS)
- 11.6218.047.002 CHAIN RING X-SYNC 2 32T DIRECT MOUNT 6MM OFFSET EAGLE LUNAR/POLAR GREY
- 11.6218.042.001 CHAIN RING X-SYNC 2 32T DIRECT MOUNT 6MM OFFSET EAGLE POLAR GREY
- 11.6218.030.020 CHAIN RING X-SYNC 2 34T DIRECT MOUNT 6MM OFFSET ALUM EAGLE BLACK
- 11.6218.030.120 CHAIN RING X-SYNC 2 34T DIRECT MOUNT 6MM OFFSET ALUM EAGLE GOLD
- 11.6218.030.290 CHAIN RING X-SYNC 2 34T DIRECT MOUNT 6MM OFFSET COLD FORGED ALUMINUM BLACK
- 11.6218.046.003 CHAIN RING X-SYNC 2 34T DIRECT MOUNT 6MM OFFSET EAGLE LUNAR GREY (FINISH OF GX EAGLE C1 MATCHES CRANK ARMS)
- 11.6218.047.003 CHAIN RING X-SYNC 2 34T DIRECT MOUNT 6MM OFFSET EAGLE LUNAR/POLAR GREY
- 11.6218.042.002 CHAIN RING X-SYNC 2 34T DIRECT MOUNT 6MM OFFSET EAGLE POLAR GREY
- 11.6218.030.030 CHAIN RING X-SYNC 2 36T DIRECT MOUNT 6MM OFFSET ALUM EAGLE BLACK
- 11.6218.030.130 CHAIN RING X-SYNC 2 36T DIRECT MOUNT 6MM OFFSET ALUM EAGLE GOLD
- 11.6218.047.004 CHAIN RING X-SYNC 2 36T DIRECT MOUNT 6MM OFFSET EAGLE LUNAR/POLAR GREY
- 11.6218.042.003 CHAIN RING X-SYNC 2 36T DIRECT MOUNT 6MM OFFSET EAGLE POLAR GREY
- 11.6218.030.040 CHAIN RING X-SYNC 2 38T DIRECT MOUNT 6MM OFFSET ALUM EAGLE BLACK
- 11.6218.030.140 CHAIN RING X-SYNC 2 38T DIRECT MOUNT 6MM OFFSET ALUM EAGLE GOLD
- 11.6218.042.004 CHAIN RING X-SYNC 2 38T DIRECT MOUNT 6MM OFFSET EAGLE POLAR GREY

- 11.6218.038.010 CHAIN RING X-SYNC 2 OVAL 32T DIRECT MOUNT 6MM OFFSET ALUM EAGLE BLACK
- 11.6218.038.030 CHAIN RING X-SYNC 2 OVAL 34T DIRECT MOUNT 6MM OFFSET ALUM EAGLE BLACK
- 11.6218.038.050 CHAIN RING X-SYNC 2 OVAL 36T DIRECT MOUNT 6MM OFFSET ALUM EAGLE BLACK
- 11.6218.038.070 CHAIN RING X-SYNC 2 OVAL 38T DIRECT MOUNT 6MM OFFSET ALUM EAGLE BLACK

- 11.6218.040.005 CHAIN RING X-SYNC 2 SL 34T DIRECT MOUNT 6MM OFFSET EAGLE BLACK
- 11.6218.040.004 CHAIN RING X-SYNC 2 SL 34T DIRECT MOUNT 6MM OFFSET EAGLE GOLD
- 11.6218.040.009 CHAIN RING X-SYNC 2 SL 36T DIRECT MOUNT 6MM OFFSET EAGLE BLACK
- 11.6218.040.013 CHAIN RING X-SYNC 2 SL 38T DIRECT MOUNT 6MM OFFSET EAGLE BLACK
- 11.6218.040.012 CHAIN RING X-SYNC 2 SL 38T DIRECT MOUNT 6MM OFFSET EAGLE GOLD
- 11.6218.042.010 CHAIN RING X-SYNC 2 30T DIRECT MOUNT 6MM OFFSET EAGLE LUNAR GREY
- 11.6218.042.011 CHAIN RING X-SYNC 2 32T DIRECT MOUNT 6MM OFFSET EAGLE LUNAR GREY
- 11.6218.042.012 CHAIN RING X-SYNC 2 SL 34T DIRECT MOUNT 6MM OFFSET EAGLE LUNAR GREY
- 11.6218.042.013 CHAIN RING X-SYNC 2 SL 36T DIRECT MOUNT 6MM OFFSET EAGLE LUNAR GREY
- 11.6218.042.014 CHAIN RING X-SYNC 2 SL 38T DIRECT MOUNT 6MM OFFSET EAGLE LUNAR GREY

- 11.6218.041.000 CHAIN RING X-SYNC 2 STEEL 30T DIRECT MOUNT 6MM OFFSET EAGLE BLACK
- 11.6218.041.001 CHAIN RING X-SYNC 2 STEEL 32T DIRECT MOUNT 6MM OFFSET EAGLE BLACK
- 11.6218.041.002 CHAIN RING X-SYNC 2 STEEL 34T DIRECT MOUNT 6MM OFFSET EAGLE BLACK

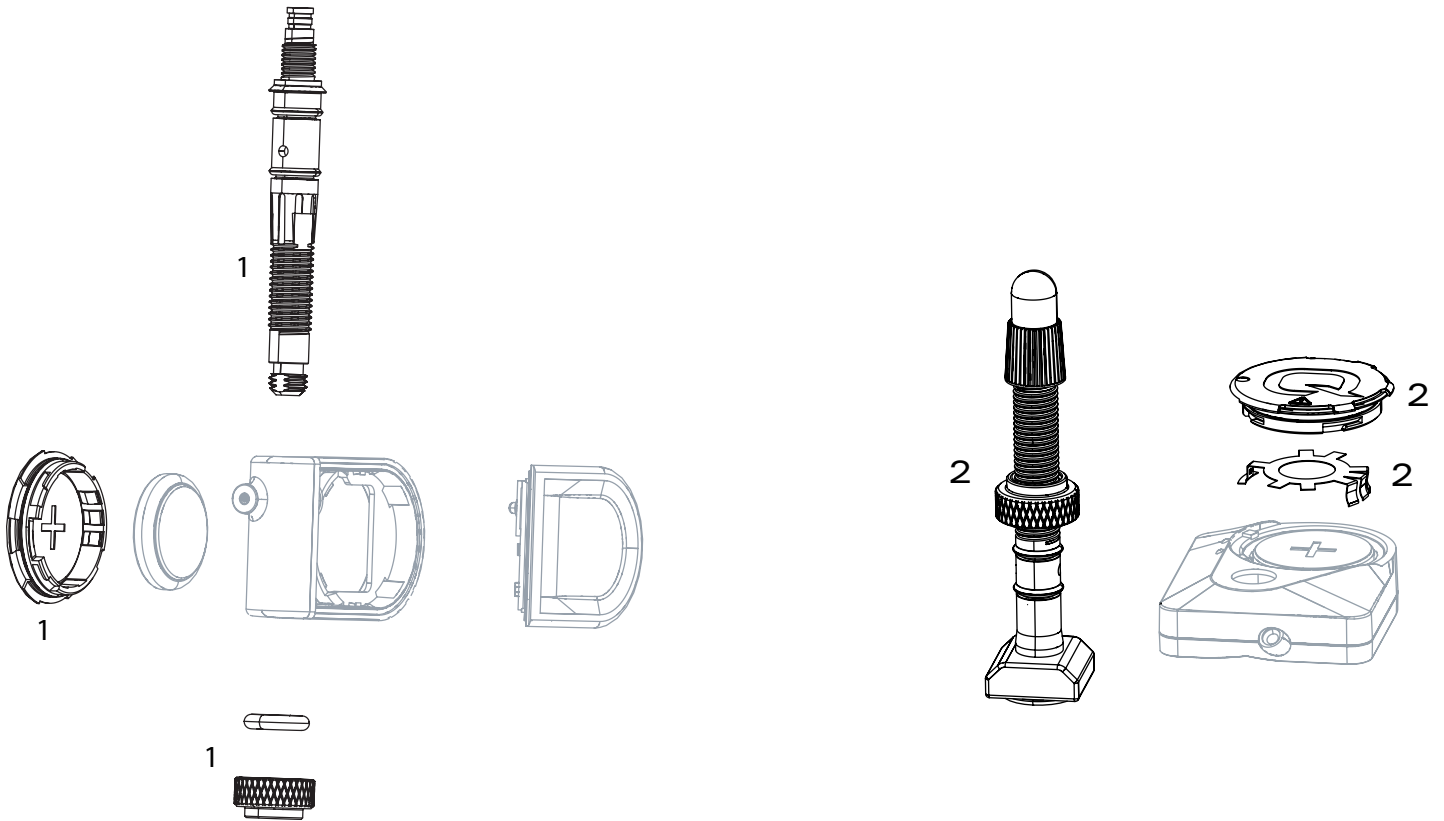
BOSCH

- 00.6218.013.001 CHAIN RING X-SYNC 2 34T EAGLE BOSCH GEN4 DIRECT MOUNT BLACK
- 00.6218.013.002 CHAIN RING X-SYNC 2 38T EAGLE BOSCH GEN4 DIRECT MOUNT BLACK
- 00.6218.013.003 CHAIN RING X-SYNC 2 36T STEEL EAGLE BOSCH GEN4 DIRECT MOUNT BLACK B148
- 00.6218.013.004 CHAIN RING X-SYNC 2 38T STEEL EAGLE BOSCH GEN4 DIRECT MOUNT BLACK (NON BOOST)



QUARQ - TYREWIZ

WH-TRWZ-A1 / WH-TRWZ-B1

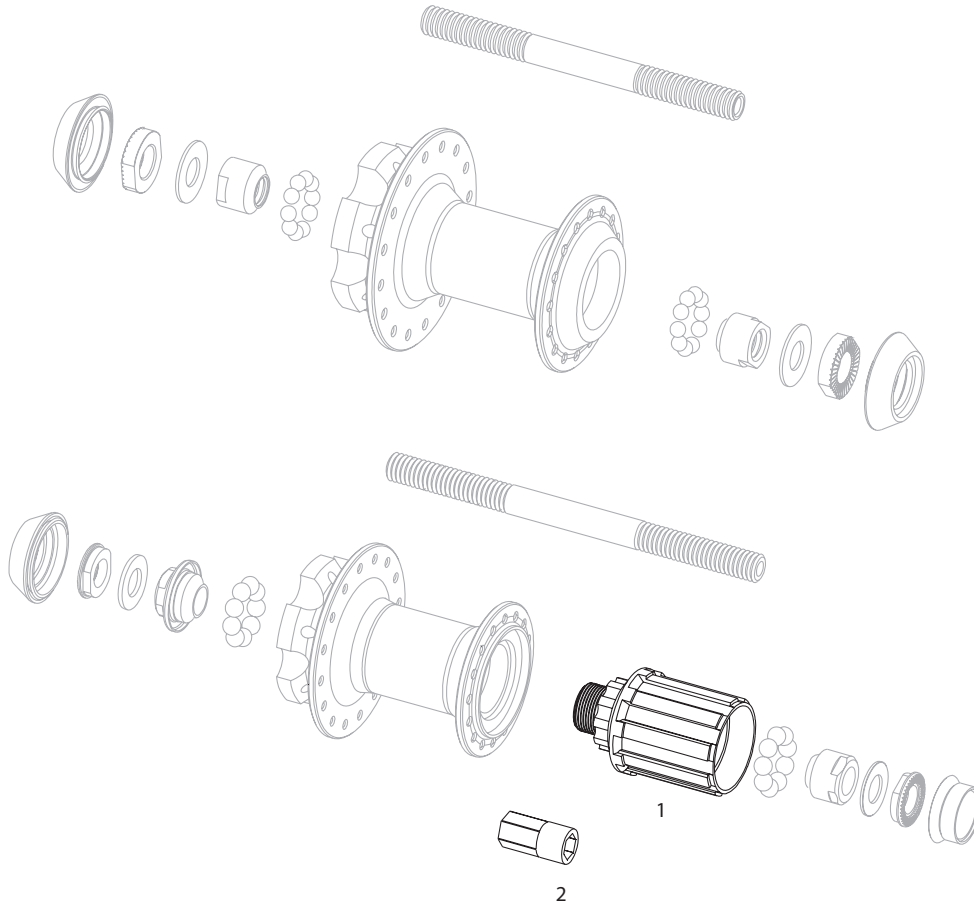


No.	PART NUMBER	DESCRIPTION
1	11.3018.009.001	TYREWIZ BATTERY HATCH AND VALVE (INCLUDING VALVE WRENCH)
2	11.3018.011.001	TYREWIZ FOR MOTO BATTERY HATCH AND VALVE (INCLUDING VALVE WRENCH)

NUMBER DESCRIPTION
 Goto
 Index
 CHAIN RING MTB 42T 104 SS V1 STEEL BLACK

406 - MTB HUB

HU-MTH-400-A1

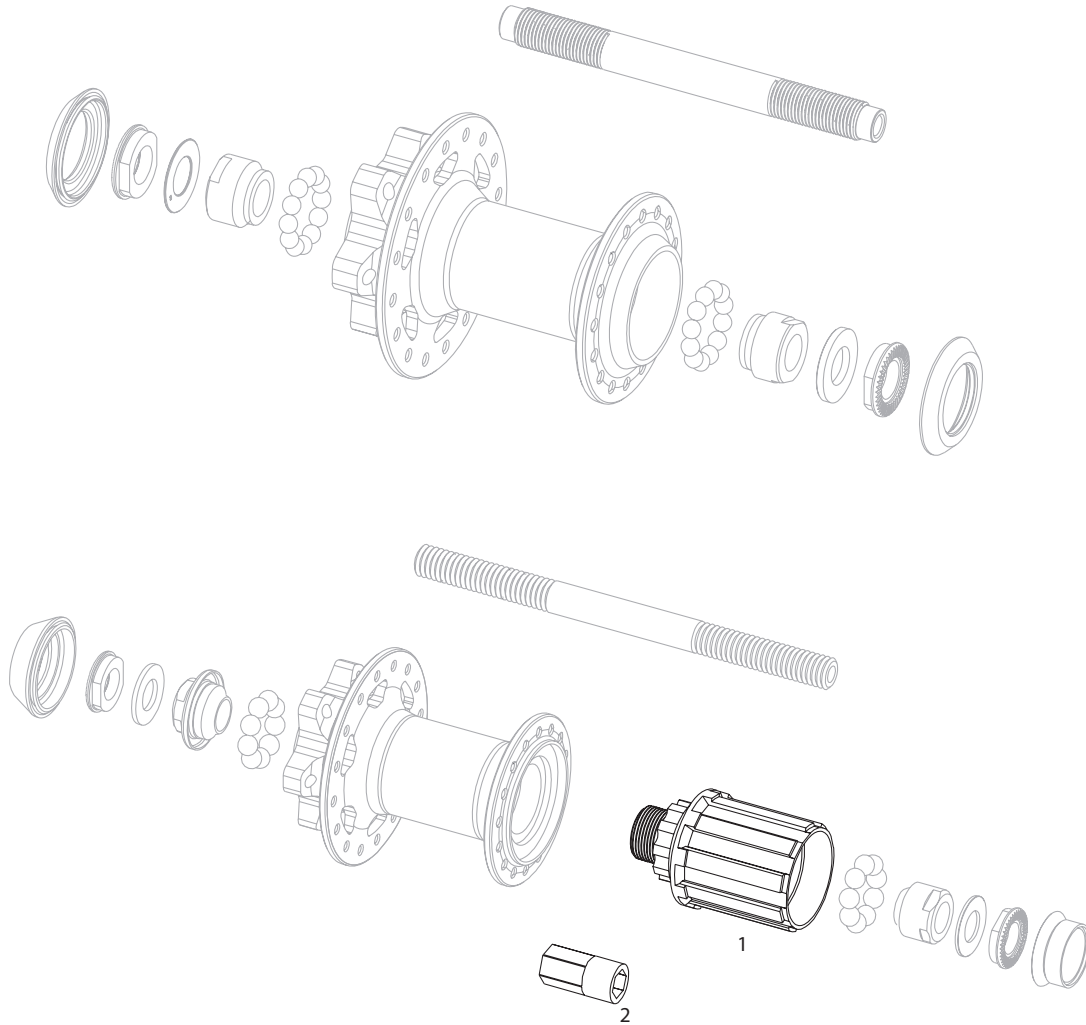


No.	PART NUMBER	DESCRIPTION
1	11.2015.018.100	WHEEL FREEHUB KIT - MTH 406
2	14.2015.000.000	SRAM MTB HUB FH BODY REMOVAL TOOL (11MM ADAPTER)



506 - MTB HUB

HU-MTH-500-A1

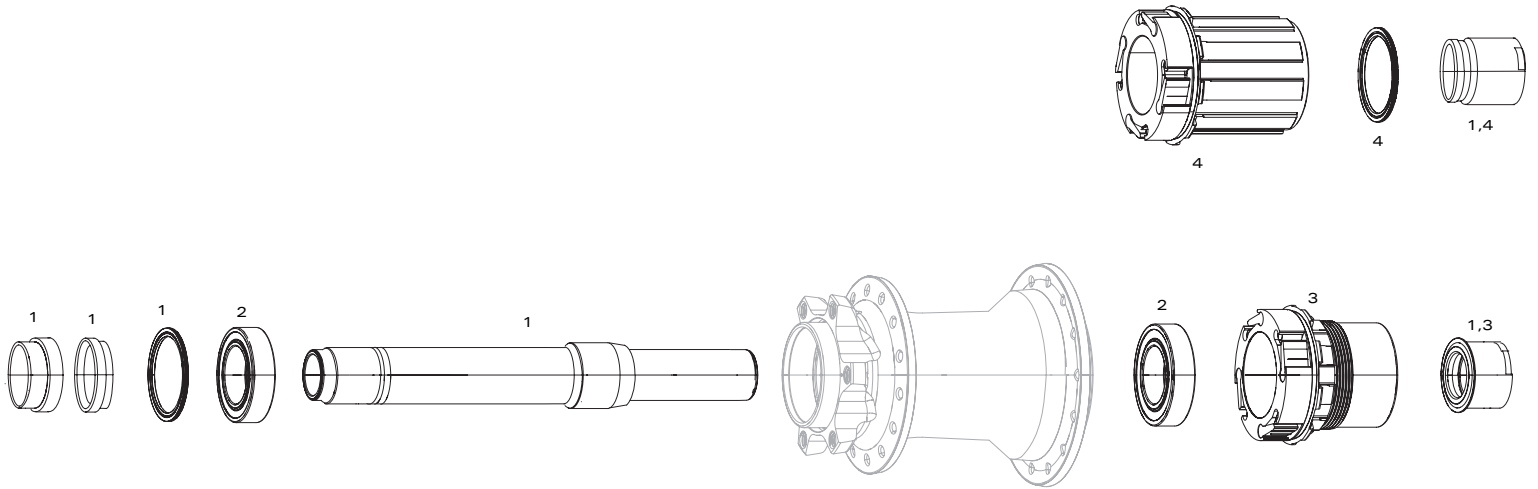


No.	PART NUMBER	DESCRIPTION
1	11.2015.023.100	WHEEL FREEHUB KIT - MTH 506
2	14.2015.000.000	SRAM MTB HUB FH BODY REMOVAL TOOL (11MM ADAPTER)



716/746 - MTB HUB

HU-MTH-700-A1



NOTES:

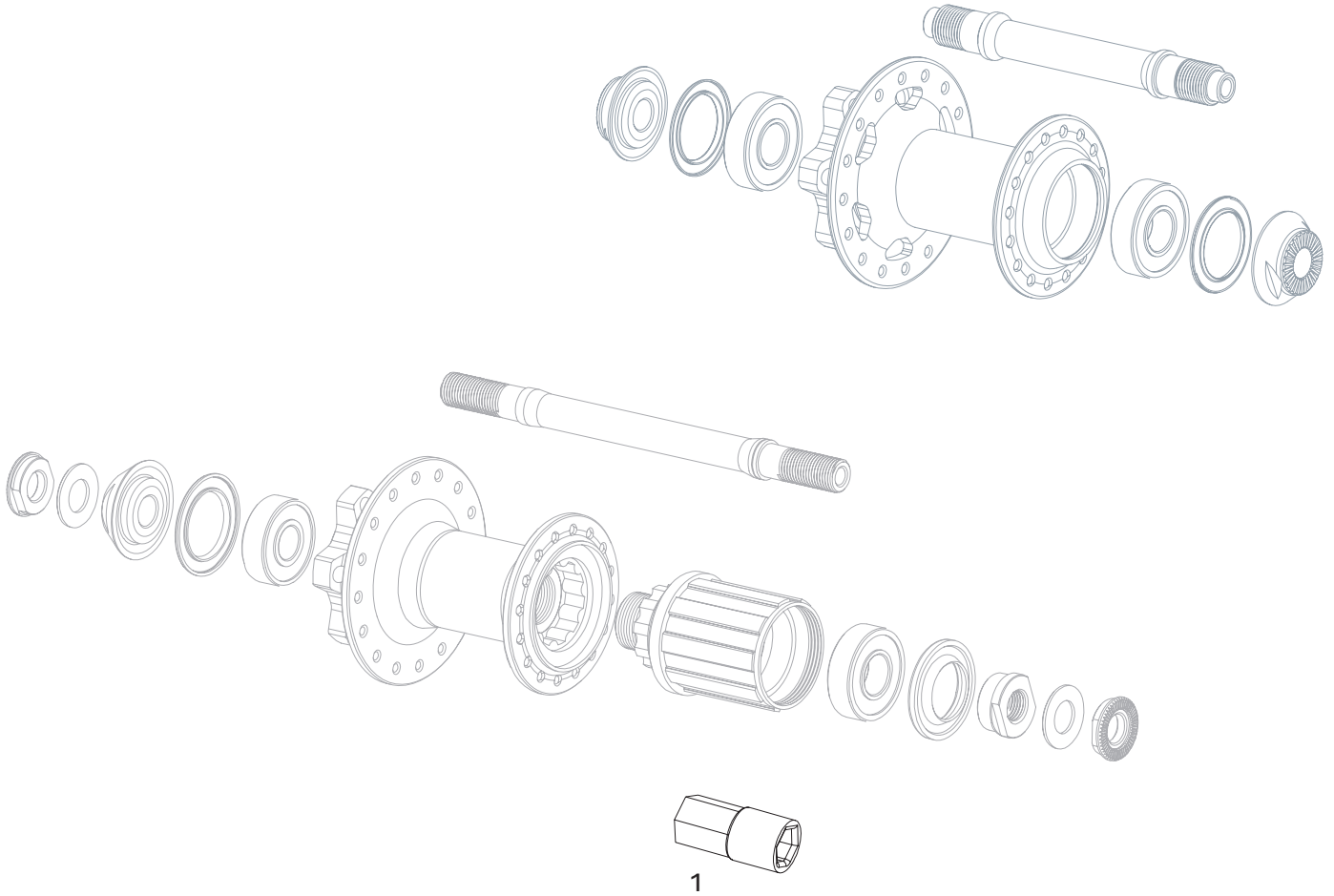
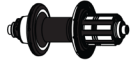
- 1. 746 hubs are not convertible from 9/10 speed Cassette body to XD Cassette Driver body
- 2. 716 hubs use 18307 bearings

No.	PART NUMBER	DESCRIPTION
1	11.2018.026.000	WHEEL AXLE - REAR (INCLUDES AXLE, THREADED LOCK NUTS & END CAPS) - MTH-746 XD
1	11.2018.027.000	WHEEL AXLE - REAR (INCLUDES AXLE, THREADED LOCK NUTS & END CAPS) - MTH-746 CASSETTE
1	11.2018.028.000	WHEEL AXLE - REAR (INCLUDES AXLE, THREADED LOCK NUTS & END CAPS) - MTH-746 BOOST™ COMPATIBLE XD
1	11.2018.029.000	WHEEL AXLE - REAR (INCLUDES AXLE, THREADED LOCK NUTS & END CAPS) - MTH-746 BOOST™ COMPATIBLE CASSETTE
2	11.2018.026.002	WHEEL HUB BEARINGS - REAR 2-6903/61903 - MTH-746
3	11.2018.026.001	WHEEL FREEHUB KIT - XD DRIVER BODY 11 SPEED - MTH-746
4	11.2018.027.001	WHEEL FREEHUB KIT - CASSETTE BODY 9/10 SPEED - MTH-746
ns	00.1918.145.008	CONVERSION CAPS HUB MTH 716 FRONT - 15 THROUGH AXLE



X7 - MTB HUB

HU-X7-A1

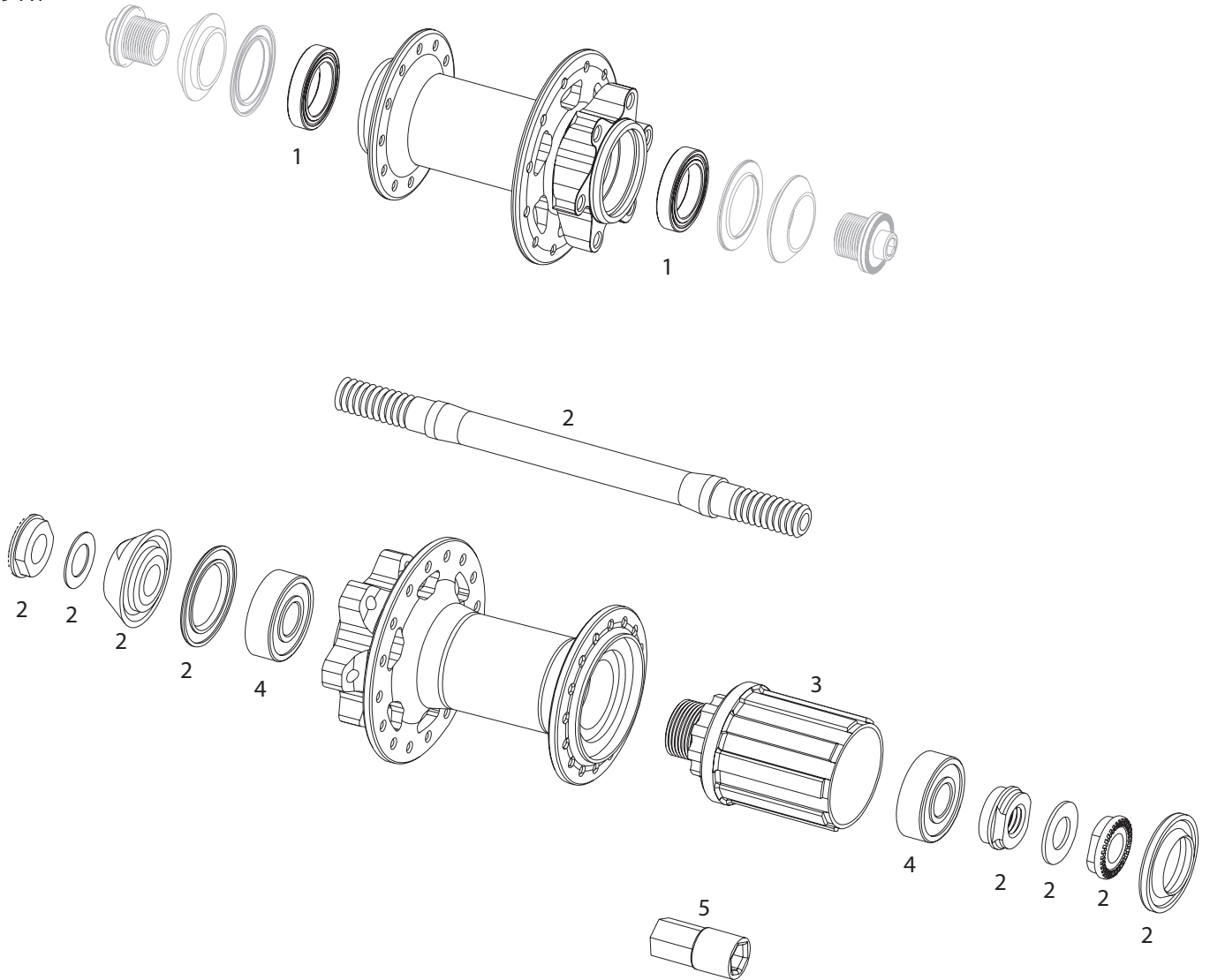
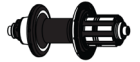


NO.	PART NUMBER	DESCRIPTION
1	14.2015.000.000	SRAM MTB HUB FH BODY REMOVAL TOOL (11MM ADAPTER)



X9 - MTB HUB

HU-X9-A1

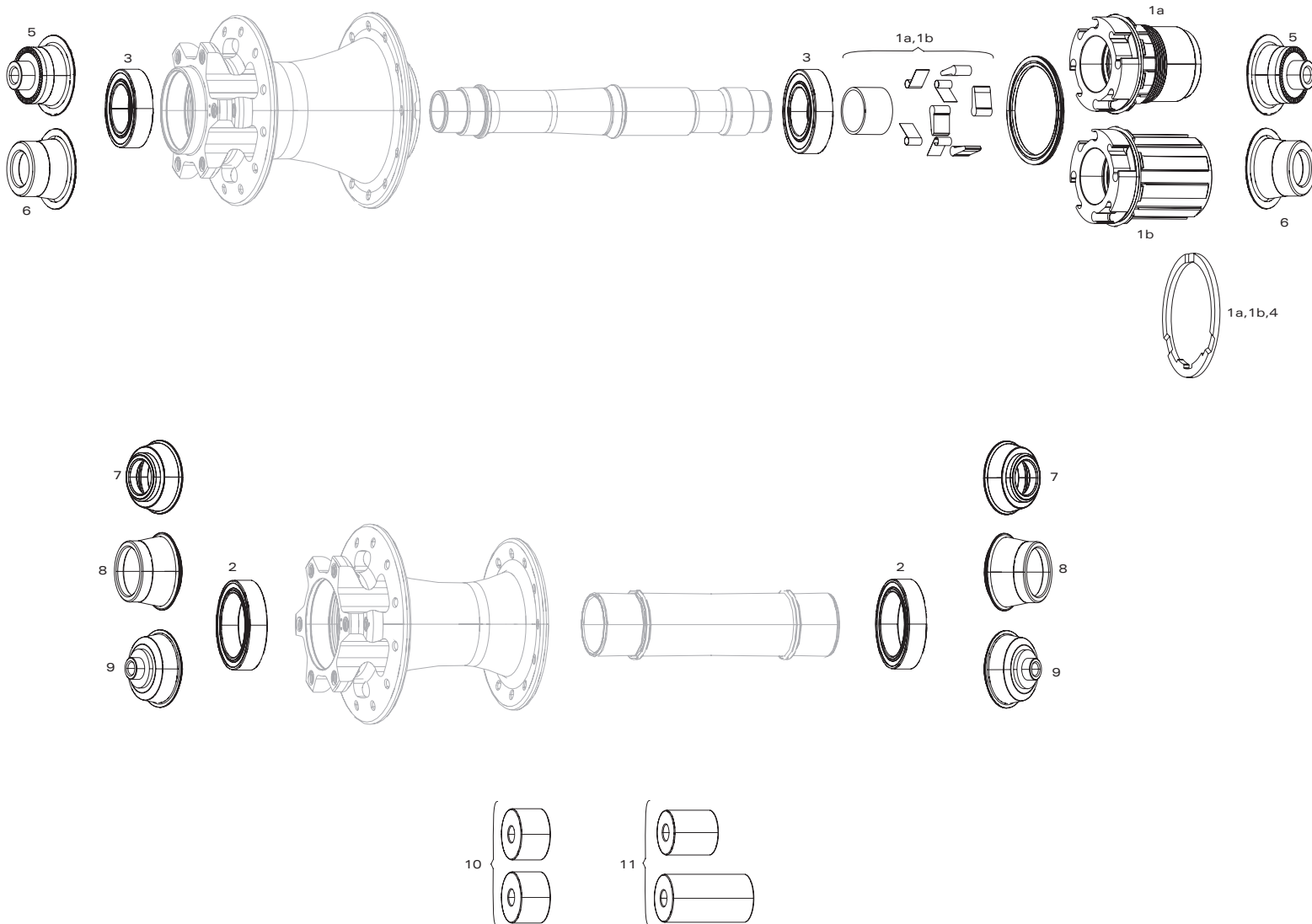


NO.	PART NUMBER	DESCRIPTION
1	11.2015.020.100	WHEEL HUB BEARINGS - FRONT, 2-6001 - X-9 V2
1	11.2015.026.100	WHEEL HUB BEARINGS - FRONT 15X100, 2-6804 - X-9/RISE 40
2	11.2015.019.000	WHEEL AXLE - REAR - X-9 V2
2	11.2015.030.000	WHEEL AXLE - REAR 12X142 - X-9/RISE 40
3	11.2015.019.200	WHEEL FREEHUB KIT - X-9 V2
3	11.2015.028.100	WHEEL FREEHUB KIT - X-9/X-7/RISE 40,
3	11.2015.029.100	WHEEL FREEHUB KIT - X-9/RISE 40 12X135/142
4	11.2015.019.100	WHEEL HUB BEARINGS - REAR, 1-6803/61803, 1-6000 - X-9 V2
4	11.2015.028.200	WHEEL HUB BEARINGS - REAR, 2-6000 - X-9/RISE 40
4	11.2015.029.200	WHEEL HUB BEARINGS - REAR 12X135/142, 2-6903/61903 - X-9
5	14.2015.000.000	SRAM MTB HUB FH BODY REMOVAL TOOL (11MM ADAPTER)



900 - MTB HUB (2017-2018)

HU-900-A1



NOTES:

- 1. 900 hubs use Double Time internals.
- 2. 900 Hubs use XD-R Driver which requires a 1.85 cassette spacer to install XD 10-42T Cassette.
- 3. See Maxle page for complete list of Maxle options

NO.	PART NUMBER	DESCRIPTION
1a	11.1918.000.013	WHEEL FREEHUB KIT - (INCLUDES BEARINGS & PAWLS) DOUBLE TIME 11/12 SPEED XD-R (28.6MMLONG DRIVER) - 900
1b	11.1918.000.014	WHEEL FREEHUB KIT - (INCLUDES BEARINGS & PAWLS) DOUBLE TIME 9/10/11 SPEED DOUBLE TIME - 900
2	11.1918.003.030	WHEEL HUB BEARINGS - FRONT DOUBLE TIME (INCLUDES 2-23327) - X0 HUBS/RISE 60 (B1)/ROAM 30/ROAM 40/ROAM 50/60(B1)/RAIL 40
3	11.1918.003.040	WHEEL HUB BEARINGS - REAR DOUBLE TIME (INCLUDES 1-6903/61903 & 1-63803D28) - X0 HUBS/RISE 60 (B1)/ROAM 30/ROAM 40/ROAM 50/60 (B1)/RAIL 40
ns	11.1918.003.050	WHEEL HUB BEARINGS - FREEHUB DOUBLE TIME (INCLUDES 2-63803D28) -X0 HUBS/RISE60 (B1)/ROAM 30/ROAM 40/ROAM 50/60 (B1)/RAIL 40
4	11.1918.008.000	WHEEL CASSETTE SPACER 10 SPEED 188 SRAM FREEHUB 11 SPEED - ZIPP 188/177/ SRAM 900 HUB



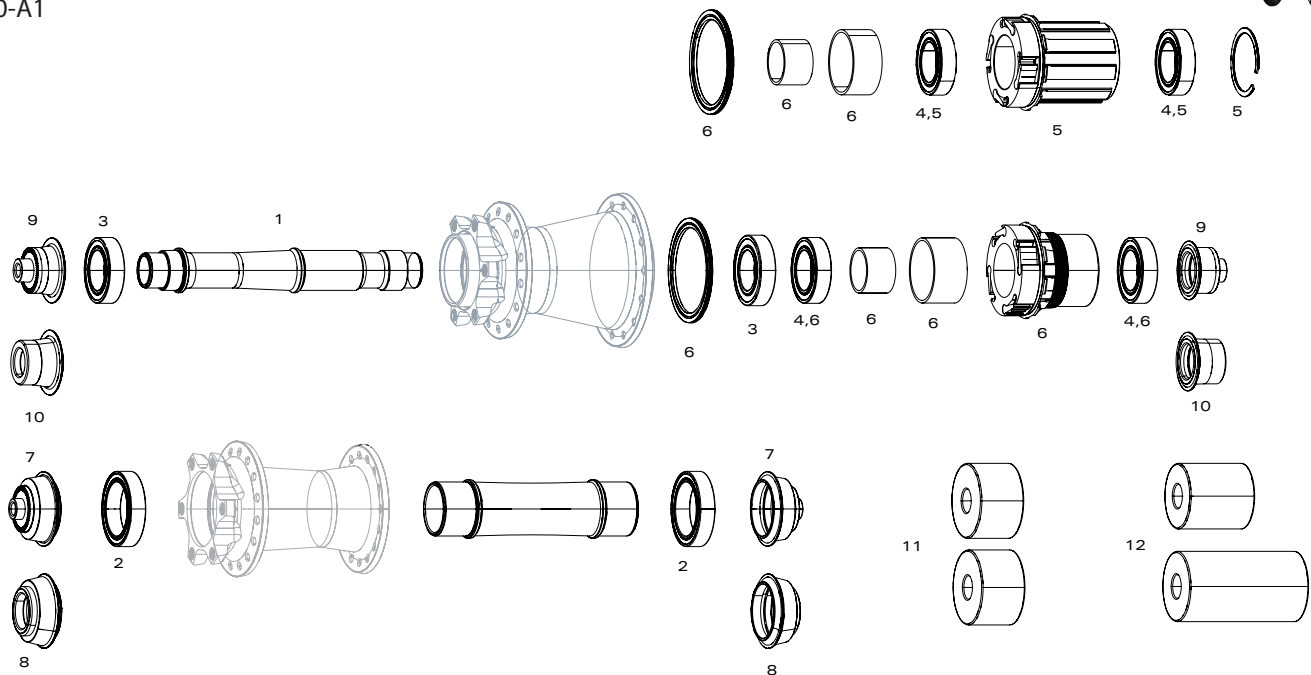


NO.	PART NUMBER	DESCRIPTION
	CONVERSION CAPS	
5	00.1918.145.004	CONVERSION CAPS HUB DOUBLE TIME REAR, 10X135 QR, FITS 9/10 SPEED DRIVER BODY - X0HUBS/900HUBS/RISE60 (B1)/ROAM30/ROAM40/ROAM50/60(B1)/RAIL40/RISEXX
5	00.1918.145.006	CONVERSION CAPS HUB DOUBLE TIME REAR, 10X135 QR, FITS XD/XDR DRIVER BODIES - X0HUBS/900HUBS/RISE60 (B1)/ROAM30/ROAM40/ROAM50/60(B1)/RAIL40/RISEXX
6	00.1918.145.007	CONVERSION CAPS HUB DOUBLE TIME REAR, 12X142/12X157 X0 DH/12X148 BOOST, FITS XD/XDR DRIVER BODIES - X0HUBS/900HUBS/RISE60(B1)/ROAM30/ROAM40/ROAM50/60(B1)/RAIL40/RISEXX
6	00.1918.145.010	CONVERSION CAPS HUB DOUBLE TIME REAR, 12X142/12X157 X0 DH/12X148 BOOST, THROUGH AXLE, 9/10 SPEED DRIVER BODY - X0HUBS/900HUBS/RISE60 (B1)/ROAM30/ROAM40/ROAM50/60(B1)/RAIL40/RISEXX
6	00.1918.145.012	CONVERSION CAPS HUB DOUBLE TIME REAR - 12X135, 12X150 X0 DH THROUGH AXLE, FITS XD/XDR DRIVER BODIES - X0HUBS/900HUBS/RISE60 (B1)/ROAM30/ROAM40/ROAM50/60(B1)/RAIL40/RISEXX
7	00.1918.145.002	CONVERSION CAPS HUB DOUBLE TIME FRONT, 15X100MM THROUGH AXLE - X0HUBS/900HUBS/RISE60 (B1)/ROAM30/ROAM40/ROAM50/60(B1)/RAIL40/RISEXX
7	00.1918.145.013	CONVERSION CAPS HUB DOUBLE TIME FRONT - 12X100 - X0HUBS/900HUBS/RISE60 (B1)/ROAM30/ROAM40/ROAM50/60(B1)/RAIL40/RISEXX
8	00.1918.145.003	CONVERSION CAPS HUB DOUBLE TIME FRONT, 20X110 THROUGH AXLE - X0HUBS/900HUBS/RISE60 (B1)/ROAM30/ROAM40/ROAM50/60(B1)/RAIL40/RISEXX
9	00.1918.145.000	CONVERSION CAPS HUB DOUBLE TIME FRONT, 9X100 QR 19MM STANDARD - X0HUBS/900HUBS/RISE60 (B1)/ROAM30/ROAM40/ROAM50/60(B1)/RAIL40/RISEXX

NO.	PART NUMBER	DESCRIPTION
	AXLE AND QUICK RELEASE	
ns	00.4318.005.001	AXLE MAXLE ULTIMATE FRONT MTB, 15X100, LENGTH 148MM, THREAD LENGTH 9MM, THREAD PITCH M15X1.50 - PIKE, RS1, LYRIK B1, YARI
ns	00.4318.005.002	AXLE MAXLE LITE FRONT MTB, 15X100, LENGTH 148MM, THREAD LENGTH 9MM, THREAD PITCH M15X1.50 - SID/REBA/REVELATION/RECON/SEKTOR/XC32
ns	00.4318.005.004	AXLE MAXLE LITE FRONT MTB, 15X110, LENGTH 158MM, THREAD LENGTH 9MM, THREAD PITCH M15X1.50 BOOST COMPATIBLE - SID/REBA
ns	00.4318.005.007	AXLE MAXLE ULTIMATE FRONT MTB, 15X110, LENGTH 158MM, THREAD LENGTH 9MM, THREAD PITCH M15X1.50 - PIKE, LYRIK B1, YARI BOOST COMPATIBLE
ns	00.4318.005.008	AXLE MAXLE ULTIMATE REAR MTB, 12X135, LENGTH 167MM, THREAD LENGTH 20MM, THREAD PITCH M12X1.75 - STANDARD
ns	00.4318.005.009	AXLE MAXLE ULTIMATE REAR MTB, 12X142, LENGTH 174MM, THREAD LENGTH 20MM, THREAD PITCH M12X1.75 - STANDARD
ns	00.4318.005.010	AXLE MAXLE ULTIMATE REAR MTB, 12X148, LENGTH 180MM, THREAD LENGTH 20MM, THREAD PITCH M12X1.75 - BOOST COMPATIBLE
ns	00.4318.005.011	AXLE MAXLE ULTIMATE REAR MTB, 12X150, LENGTH 182MM, THREAD LENGTH 20MM, THREAD PITCH M12X1.75 - STANDARD
ns	00.4318.005.012	AXLE MAXLE ULTIMATE REAR MTB, 12X148, LENGTH 188MM, THREAD LENGTH 20MM, THREAD PITCH M12X1.75 - BOOST COMPATIBLE
ns	00.4318.005.018	AXLE MAXLE STEALTH FRONT MTB, 15X100, LENGTH 148MM, THREAD LENGTH 9MM, THREAD PITCH M15X1.50 (NOT COMPATIBLE WITH RS-1) - STANDARD
ns	00.4318.005.019	AXLE MAXLE STEALTH FRONT MTB, 15X110, LENGTH 158MM, THREAD LENGTH 9MM, THREAD PITCH M15X1.50 - BOOST COMPATIBLE
ns	00.1915.232.010	QUICK RELEASE PAIR RISE 60 STAINLESS
ns	00.1915.002.020	QUICK RELEASE PAIR X.9 STEEL BLACK FOR MTB WHEELS
ns	00.4318.005.020	AXLE MAXLE STEALTH FRONT MTB, 15X150, LENGTH 198MM, THREAD LENGTH 9MM, THREAD PITCH M15X1.50 - BLUTO
ns	00.4318.005.021	AXLE MAXLE STEALTH FRONT ROAD, 12X100, LENGTH 118.5MM, THREAD LENGTH 9MM, THREAD PITCH M12X1.5 - ROAD FORKS
ns	00.4318.005.022	AXLE MAXLE STEALTH REAR MTB, 12X142, LENGTH 160MM, THREAD LENGTH 20MM, THREAD PITCH M12X1.5 - ROAD FRAMES
ns	00.4318.005.023	AXLE MAXLE STEALTH REAR MTB, 12X142, LENGTH 164MM, THREAD LENGTH 10MM, THREAD PITCH M12X1.5 - STANDARD FRAMES
ns	00.4318.005.024	AXLE MAXLE STEALTH REAR MTB, 12X142, LENGTH 167MM, THREAD LENGTH 20MM, THREAD PITCH M12X1.0 - SANTA CRUZ, SCOTT FRAMES
ns	00.4318.005.025	AXLE MAXLE STEALTH REAR MTB, 12X148, LENGTH 170MM, THREAD LENGTH 10MM, THREAD PITCH M12X1.5 - BOOST E-THRU INTERFACE FRAMES
ns	00.4318.005.026	AXLE MAXLE STEALTH REAR MTB, 12X142, LENGTH 170.5MM, THREAD LENGTH 14MM, THREAD PITCH M12X1.5 - GIANT FRAMES
ns	00.4318.005.027	AXLE MAXLE STEALTH REAR MTB, 12X142, LENGTH 174MM, THREAD LENGTH 20MM, THREAD PITCH M12X1.75 - STANDARD FRAMES
ns	00.4318.005.028	AXLE MAXLE STEALTH REAR MTB, 12X148, LENGTH 180MM, THREAD LENGTH 20MM, THREAD PITCH M12X1.75 - BOOST FRAMES
ns	00.4318.005.029	AXLE MAXLE STEALTH REAR MTB, 12X148, LENGTH 188MM, THREAD LENGTH 20MM, THREAD PITCH M12X1.75 - BOOST SPLIT PIVOT FRAMES
ns	00.4318.005.030	AXLE MAXLE STEALTH REAR MTB, 12X148, LENGTH 195MM, THREAD LENGTH 20MM, THREAD PITCH M12X1.75 - BOOST TREK ABP FRAMES
10	00.1918.177.010	BEARING PRESS TOOL 23X32X7, FRONT HUB - X0 HUBS/900 HUBS/RISE 60 (B1)/ROAM 30/ROAM 40/ROAM 60(B1)/RAIL 40/RISE XX
11	00.1918.177.040	BEARING PRESS TOOLS 6903/63803D28, REAR HUB - X0 HUBS/900 HUBS/RISE 60 (B1)/ROAM 30/ROAM 40/ROAM 60(B1)/RAIL 40/RISE XX

X0 - MTB HUB (2015-2018) A1

HU-X0-A1

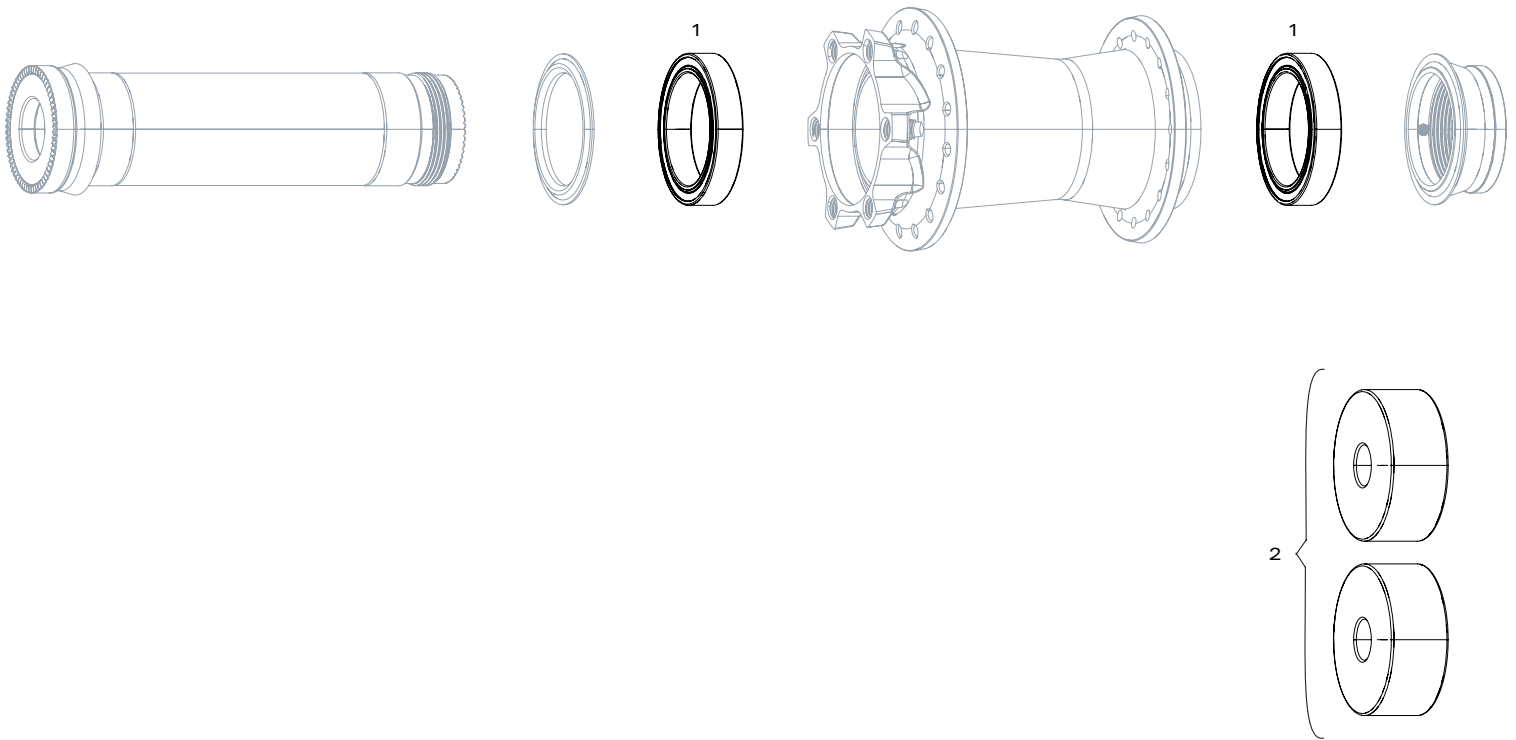


NOTES:
 1. X0 hubs use Double Time internals.
 2. See Maxle page for complete list of Maxle options

NO.	PART NUMBER	DESCRIPTION
1	11.1918.002.013	WHEEL SPARE PARTS HUB AXLE REAR - X0 HUBS/RISE 60 (B1)/ROAM 30/ROAM 40/RAIL 40/RISE XX/ ROAM 50/60 (B1)
2	11.1918.003.030	WHEEL SPARE PARTS HUB BEARING SET FRONT DOUBLE TIME (INCLUDES 2-23327) - X0 HUBS/RISE 60 (B1)/ROAM 30/ROAM 40/ROAM 50/60 (B1)/RAIL 40
3	11.1918.003.040	WHEEL SPARE PARTS HUB BEARING SET REAR DOUBLE TIME (INCLUDES 1-6903/61903 & 1-63803D28) - X0 HUBS/RISE 60 (B1)/ROAM 30/ROAM 40/ROAM 50/60 (B1)/RAIL 40
4	11.1918.003.050	WHEEL SPARE PARTS HUB BEARING SET FREEHUB DOUBLE TIME (INCLUDES 2-63803D28) -X0 HUBS/RISE60 (B1)/ROAM 30/ROAM 40/ROAM 50/60 (B1)/RAIL 40
5	11.1918.000.011	WHEEL SPARE PARTS HUB AXLE REAR - X0 HUBS/RISE 60 (B1)/ROAM 30/ROAM 40/RAIL 40/RISE XX/ ROAM 50/60 (B1)
6	11.1918.000.012	WHEEL SPARE PARTS FREEHUB BODY WITH BEARINGS 11/12 SPEED XD - X0 HUBS/RISE 60 (B1)/ROAM 30/ROAM 40/RAIL 40/RISE XX/ROAM 50/60 (B1)
CONVERSION CAPS		
NO.	PART NUMBER	DESCRIPTION
7	00.1918.145.000	CONVERSION CAPS HUB DOUBLE TIME FRONT, 9X100 QR 19MM STANDARD - X0HUBS/900HUBS/RISE60 (B1)/ROAM30/ROAM40/ROAM50/60 (B1)/RAIL40/RISEXX
8	00.1918.145.002	CONVERSION CAPS HUB DOUBLE TIME FRONT, 15X100MM THROUGH AXLE - X0HUBS/900HUBS/RISE60 (B1)/ROAM30/ROAM40/ROAM50/60(B1)/RAIL40/RISEXX
8	00.1918.145.003	CONVERSION CAPS HUB DOUBLE TIME FRONT, 20X110 THROUGH AXLE - X0HUBS/900HUBS/RISE60 (B1)/ROAM30/ROAM40/ROAM50/60(B1)/RAIL40/RISEXX
ns	00.1918.145.014	CONVERSION CAPS HUB DOUBLE TIME FRONT, 20X110 BOOST, THROUGH AXLE (ONLY COMPATIBLE WITH BOOST HUBS) - X0HUBS/900HUBS
9	00.1918.145.004	CONVERSION CAPS HUB DOUBLE TIME REAR, 10X135 QR, FITS 9/10 SPEED DRIVER BODY - X0HUBS/900HUBS/RISE60 (B1)/ROAM30/ROAM40/ROAM50/60(B1)/RAIL40/RISEXX
9	00.1918.145.006	CONVERSION CAPS HUB DOUBLE TIME REAR, 10X135 QR, FITS XD/XDR DRIVER BODIES - X0HUBS/900HUBS/RISE60 (B1)/ROAM30/ROAM40/ROAM50/60(B1)/RAIL40/RISEXX
10	00.1918.145.007	CONVERSION CAPS HUB DOUBLE TIME REAR, 12X142/12X157 X0 DH/12X148 BOOST, FITS XD/XDR DRIVER BODIES - X0HUBS/900HUBS/RISE60(B1)/ROAM30/ROAM40/ROAM50/60(B1)/RAIL40/RISEXX
10	00.1918.145.010	CONVERSION CAPS HUB DOUBLE TIME REAR, 12X142/12X157 X0 DH/12X148 BOOST, THROUGH AXLE, 9/10 SPEED DRIVER BODY - X0HUBS/900HUBS/RISE60 (B1)/ROAM30/ROAM40/ROAM50/60(B1)/RAIL40/RISEXX
10	00.1918.145.012	CONVERSION CAPS HUB DOUBLE TIME REAR - 12X135, 12X150 X0 DH THROUGH AXLE, FITS XD/XDR DRIVER BODIES - X0HUBS/900HUBS/RISE60 (B1)/ROAM30/ROAM40/ROAM50/60(B1)/RAIL40/RISEXX
AXLE AND QUICK RELEASE		
NO.	PART NUMBER	DESCRIPTION
ns	00.4318.005.001	AXLE MAXLE ULTIMATE FRONT MTB, 15X100, LENGTH 148MM, THREAD LENGTH 9MM, THREAD PITCH M15X1.50 - PIKE, RS1, LYRIK B1, YARI
ns	00.4318.005.002	AXLE MAXLE LITE FRONT MTB, 15X100, LENGTH 148MM, THREAD LENGTH 9MM, THREAD PITCH M15X1.50 - SID/REBA/REVELATION/RECON/SEKTOR/XC32
GREASE AND TOOLS		
NO.	PART NUMBER	DESCRIPTION
11	00.1918.177.010	BEARING PRESS TOOL 23X32X7, FRONT HUB - X0 HUBS/900 HUBS/RISE 60 (B1)/ROAM 30/ROAM 40/ROAM 60(B1)/RAIL 40/RISE XX
12	00.1918.177.040	BEARING PRESS TOOLS 6903/63803D28, REAR HUB - X0 HUBS/900 HUBS/RISE 60 (B1)/ROAM 30/ROAM 40/ROAM 60(B1)/RAIL 40/RISE XX
ns	00.4318.008.000	GREASE SRAM BUTTER 20ML SYRINGE, FRICTION REDUCING GREASE BYSLICKOLEUM - DOUBLE TIME HUB PAWLS, FORKS & REVERB SERVICE

PREDICTIVE STEERING - MTB HUB

HU-X0-PS-A1



NOTES:

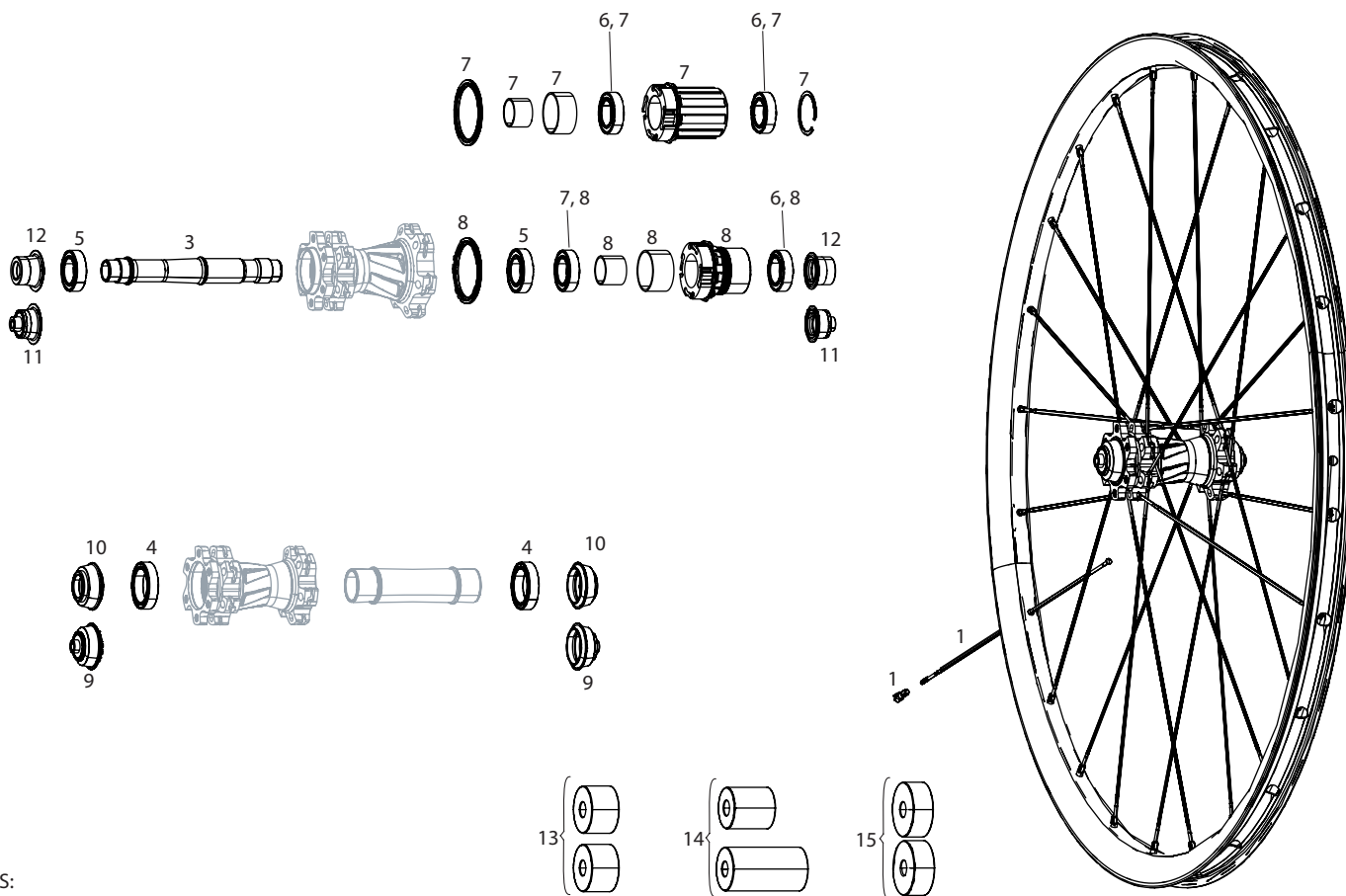
- 1. Predictive Steering hubs are not convertible to any other axle type.
- 2. Predictive Steering hubs may only be used with 00.4318.005.001 Maxle Ultimate 15mm Black.

NO.	PART NUMBER	DESCRIPTION
1	11.1918.003.110	WHEEL HUB BEARINGS - FRONT (INCLUDES 2-27.5X37X7 STEEL) - PREDICTIVE STEERING A1
ns	00.4318.005.001	AXLE MAXLE ULTIMATE FRONT MTB, 15X100, LENGTH 148MM, THREAD LENGTH 9MM, THREAD PITCH M15X1.50 - PIKE, RS1, LYRIK B1, YARI
2	00.1918.177.030	BEARING PRESS TOOL 27.5X37X7, PREDICTIVE STEERING FRONT HUB - RISE60(A1,B1)/ROAM50/RISE XX
ns	00.4318.008.000	GREASE SRAM BUTTER 20ML SYRINGE, FRICTION REDUCING GREASE BYSLICKOLEUM - DOUBLE TIME HUB PAWLS, FORKS & REVERB SERVICE



WHEELS - RISE 60, B1 (2015-2018)

WH-RISE-60-B1



NOTES:

- 1. X0 hubs use Double Time internals.
- 2. See Maxle page for complete list of Maxle options

NO.	PART NUMBER	DESCRIPTION
1	11.1918.027.023	SPOKES & NIPPLES 3-PACK 278MM CX-RAY STRAIGHT-PULL EXTERNAL BLACK - RISE 60 (B1) 27.5"
1	11.1918.027.024	SPOKES & NIPPLES 3-PACK 298MM CX-RAY STRAIGHT-PULL EXTERNAL BLACK - RISE 60 (B1) 29"
ns	00.1918.126.004	TUBELESS KIT INCLUDES 26MM TAPE, 2 UNIVERSAL VALVES & 1 VALVE CORE WRENCH (FITS 21MM INNER WIDTH RIMS, RISE 60 [B1]/ROAM [A1]WHEELS)
ns	00.1918.325.000	TUBELESS UNIVERSAL VALVE, REMOVABLE VALVE CORE (INCLUDES 1 TUBELESS VALVE & 1 VALVE CORE WRENCH) - SRAM MTB WHEELS
3	11.1918.002.013	WHEEL AXLE - REAR - X0 HUBS/RISE 60 (B1)/ROAM30/ROAM 40/RAIL 40/RISE XX/ ROAM 50/60 B1
4	11.1918.003.030	WHEEL HUB BEARINGS - FRONT DOUBLE TIME (INCLUDES 2-23327) - X0 HUBS/RISE 60 (B1)/ROAM 30/ROAM 40/ROAM 50/60(B1)/RAIL 40
5	11.1918.003.040	WHEEL HUB BEARINGS - REAR DOUBLE TIME (INCLUDES 1-6903/61903 & 1-63803D28) - X0 HUBS/RISE 60 (B1)/ROAM 30/ROAM 40/ROAM 50/60 (B1)/RAIL 40
6	11.1918.003.050	WHEEL HUB BEARINGS - FREEHUB DOUBLE TIME (INCLUDES 2-63803D28) -X0 HUBS/RISE60 (B1)/ROAM 30/ROAM 40/ROAM 50/60 (B1)/RAIL 40
7	11.1918.000.011	WHEEL FREEHUB KIT - (INCLUDES BEARINGS & PAWLS) 9/10 SPEED - X0HUBS/RISE 60 (B1)/ROAM 30/ROAM 40/RAIL 40/RISE XX/ROAM 50/60 (B1)
8	11.1918.000.012	WHEEL FREEHUB KIT - (INCLUDES BEARINGS & PAWLS) 11/12 SPEED XD - X0 HUBS/RISE 60 (B1)/ROAM 30/ROAM 40/RAIL 40/RISE XX/ROAM 50/60 (B1)



WHEELS - RISE 60, B1 (2015-2018)

WH-RISE-60-B1



CONVERSION CAPS		
NO.	PART NUMBER	DESCRIPTION
9	00.1918.145.000	CONVERSION CAPS HUB DOUBLE TIME FRONT, 9X100 QR 19MM STANDARD - X0HUBS/900HUBS/RISE60 (B1)/ROAM30/ROAM40/ROAM50/60(B1)/RAIL40/RISEXX
10	00.1918.145.002	CONVERSION CAPS HUB DOUBLE TIME FRONT, 15X100/15X110 BOOST THROUGH AXLE X0HUBS/900HUBS/RISE60 (B1)/ROAM30/ROAM40/ROAM50/60(B1)/RAIL40/RISEXX
10	00.1918.145.003	CONVERSION CAPS HUB DOUBLE TIME FRONT, 20X110 THROUGH AXLE - X0HUBS/900HUBS/RISE60 (B1)/ROAM30/ROAM40/ROAM50/60(B1)/RAIL40/RISEXX
11	00.1918.145.004	CONVERSION CAPS HUB DOUBLE TIME REAR, 10X135 QR, FITS 9/10 SPEED DRIVER BODY - X0HUBS/900HUBS/RISE60 (B1)/ROAM30/ROAM40/ROAM50/60(B1)/RAIL40/RISEXX
11	00.1918.145.006	CONVERSION CAPS HUB DOUBLE TIME REAR, 10X135 QR, FITS XD/XDR DRIVER BODIES - X0HUBS/900HUBS/RISE60 (B1)/ROAM30/ROAM40/ROAM50/60(B1)/RAIL40/RISEXX
12	00.1918.145.007	CONVERSION CAPS HUB DOUBLE TIME REAR, 12X142/12X157 X0 DH/12X148 BOOST, FITS XD/XDR DRIVER BODIES - X0HUBS/900HUBS/RISE60(B1)/ROAM30/ROAM40/ROAM50/60(B1)/RAIL40/RISEXX
12	00.1918.145.010	CONVERSION CAPS HUB DOUBLE TIME REAR, 12X142/12X157 X0 DH/12X148 BOOST, THROUGH AXLE, 9/10 SPEED DRIVER BODY - X0HUBS/900HUBS/RISE60 (B1)/ROAM30/ROAM40/ROAM50/60(B1)/RAIL40/RISEXX
12	00.1918.145.011	CONVERSION CAPS HUB DOUBLE TIME FRONT, 15X100/15X110 BOOST, 31MM THROUGH AXLE, TORQUE CAP ROCKSHOX FORKS - X0HUBS/900HUBS/RISE60 (B1)/ROAM30/ROAM40/ROAM50/60(B1)/RAIL40/RISEXX
12	00.1918.145.012	CONVERSION CAPS HUB DOUBLE TIME REAR - 12X135, 12X150 X0 DH THROUGH AXLE, FITS XD/XDR DRIVER BODIES - X0HUBS/900HUBS/RISE60 (B1)/ROAM30/ROAM40/ROAM50/60(B1)/RAIL40/RISEXX

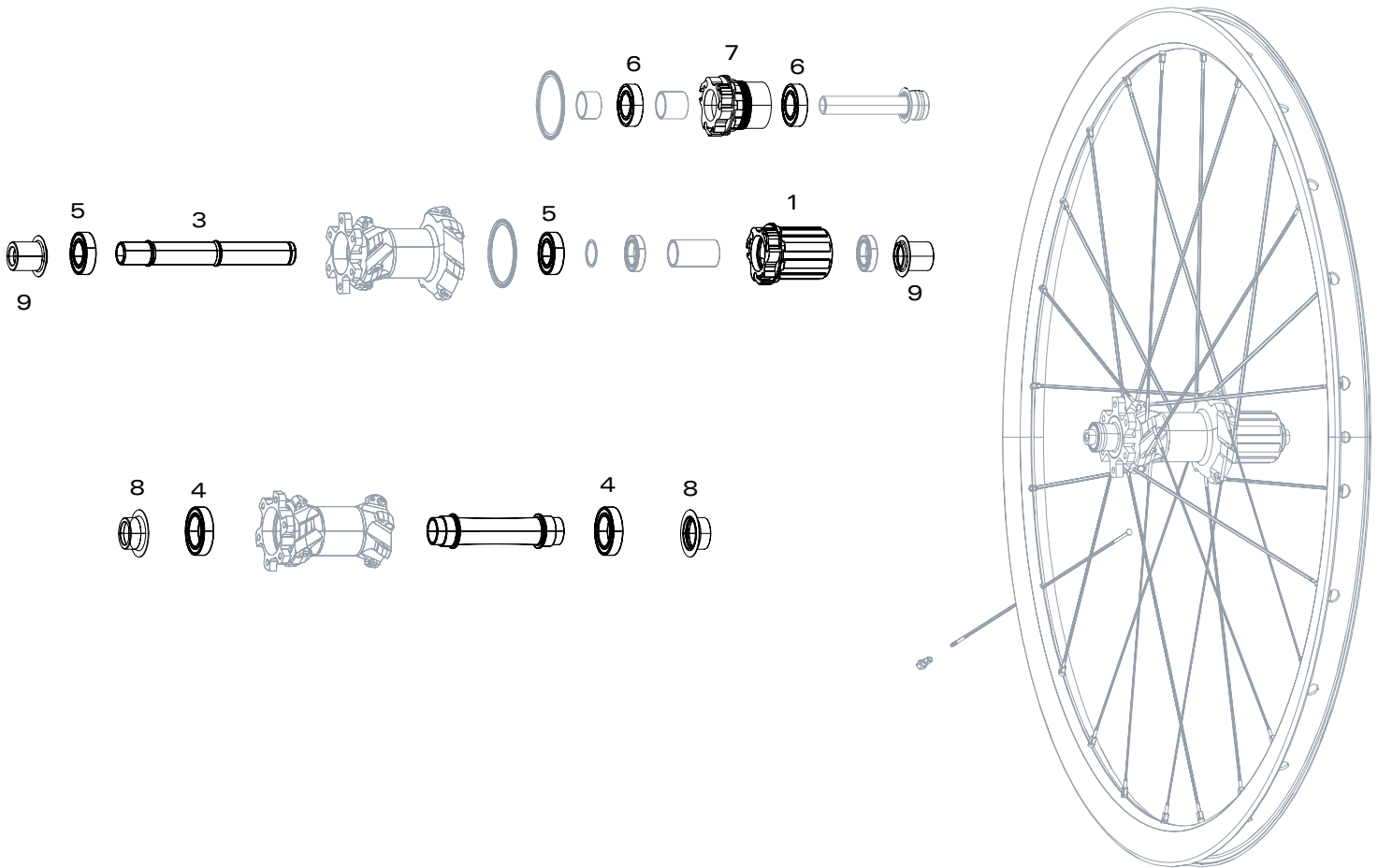
MAXLE AND QUICK RELEASE		
NO.	PART NUMBER	DESCRIPTION
ns	00.1915.232.010	QUICK RELEASE PAIR RISE 60 STAINLESS
ns	00.1915.002.020	QUICK RELEASE PAIR X.9 STEEL BLACK FOR MTB WHEELS
ns	00.4318.005.001	AXLE MAXLE ULTIMATE FRONT MTB, 15X100, LENGTH 148MM, THREADLENGTH 9MM, THREAD PITCH M15X1.50 - PIKE, RS1, LYRIK B1, YARI
ns	00.4318.005.018	AXLE MAXLE STEALTH FRONT MTB, 15X100, LENGTH 148MM, THREAD LENGTH 9MM, THREAD PITCH M15X1.50 (NOT COMPATIBLE WITH RS-1) STANDARD
ns	00.4318.005.002	AXLE MAXLE LITE FRONT MTB, 15X100, LENGTH 148MM, THREAD LENGTH 9MM, THREAD PITCH M15X1.50 - SID/REBA/REVELATION/RECON/SEKTOR/XC32

TOOLS AND GREASE		
NO.	PART NUMBER	DESCRIPTION
13	00.1918.177.010	BEARING PRESS TOOL 23X32X7, FRONT HUB - X0 HUBS/900 HUBS/RISE 60 (B1)/ROAM 30/ROAM 40/ROAM 60(B1)/RAIL 40/RISE XX
14	00.1918.177.040	BEARING PRESS TOOLS 6903/63803D28, REAR HUB - X0 HUBS/900 HUBS/RISE 60 (B1)/ROAM 30/ROAM 40/ROAM 60(B1)/RAIL 40/RISE XX
15	00.1918.177.030	BEARING PRESS TOOL 27.5X37X7, PREDICTIVE STEERING FRONT HUB - RISE60(A1,B1)/ROAM50/RISE XX
ns	00.4318.008.000	GREASE SRAM BUTTER 20ML SYRINGE, FRICTION REDUCING GREASE BYSLICKOLEUM - DOUBLE TIME HUB PAWLS, FORKS & REVERB SERVICE
	00.4318.008.003	GREASE SRAM BUTTER 500ML CONTAINER, FRICTION REDUCING GREASEBY SLICKOLEUM - RECOMMENDED FOR SRAM DOUBLE TIME HUBS & WHEELS, ROCKSHOX FORKS AND REVERB SERVICE



WHEELS - RISE 40/60, A1 (2012-2014)

WH-RISE-40-A1 / WH-RISE-60-A1



NOTES:

1. Part # 00.1915.231.010 Tool Conversion Cap Rise 40 Front is needed to change Conversion Caps of Rise 40 front wheels.
2. Rise 40 rear wheels are not convertible.
3. See Maxle page for complete list of Maxle options

NO.	PART NUMBER	DESCRIPTION
1	11.2015.028.100	WHEEL FREEHUB KIT - X-9/X-7/RISE 40,
1	11.2015.029.100	WHEEL FREEHUB KIT - X-9/RISE 40 12X135/142
ns	11.1918.001.000	WHEEL FREEHUB KIT - (INCLUDES BEARINGS & PAWLS) - RISE 60
2	11.1918.000.000	WHEEL FREEHUB KIT - (INCLUDES BEARINGS & PAWLS) - RISE 60
3	11.2015.030.000	WHEEL AXLE - REAR 12X142 - X-9/RISE 40
4	11.2015.026.100	WHEEL HUB BEARINGS - FRONT 15X100, 2-6804 - X-9/RISE 40
5	11.2015.028.200	WHEEL HUB BEARINGS - REAR, 2-6000 - X-9/RISE 40
6	11.1918.003.020	WHEEL HUB BEARINGS - REAR (INCLUDES 4-6902) RISE 60 XD
7	00.2018.004.000	WHEEL FREEHUB KIT - (INCLUDES BEARINGS & PAWLS) 11/12 SPEED XD RISE 60 A1 (2012-2015)
ns	00.1915.228.010	RIM STRIP 26" PAIR FOR RISE 40, RISE 60
ns	00.1915.228.020	RIM STRIP 29" PAIR FOR RISE 40, RISE 60



WHEELS - RISE 40/60, A1 (2012-2014)

WH-RISE-40-A1 / WH-RISE-60-A1



CONVERSION CAPS

NO.	PART NUMBER	DESCRIPTION
8	00.1915.230.060	CONVERSION CAPS WHEEL RISE 60 FRONT - 15X100
9	00.1915.230.100	CONVERSION CAPS WHEEL RISE 60 REAR 12X142, FITS XD DRIVER BODY

MAXLE AND QUICK RELEASE

NO.	PART NUMBER	DESCRIPTION
ns	00.1915.232.010	QUICK RELEASE PAIR RISE 60 STAINLESS
ns	00.1915.002.020	QUICK RELEASE PAIR X.9 STEEL BLACK FOR MTB WHEELS
ns	00.4318.005.001	AXLE MAXLE ULTIMATE FRONT MTB, 15X100, LENGTH 148MM, THREADLENGTH 9MM, THREAD PITCH M15X1.50 - PIKE, RS1, LYRIK B1, YARI
ns	00.4318.005.002	AXLE MAXLE LITE FRONT MTB, 15X100, LENGTH 148MM, THREAD LENGTH 9MM, THREAD PITCH M15X1.50 - SID/REBA/REVELATION/RECON/SEKTOR/XC32 SEE ALSO MAXLE PAGE

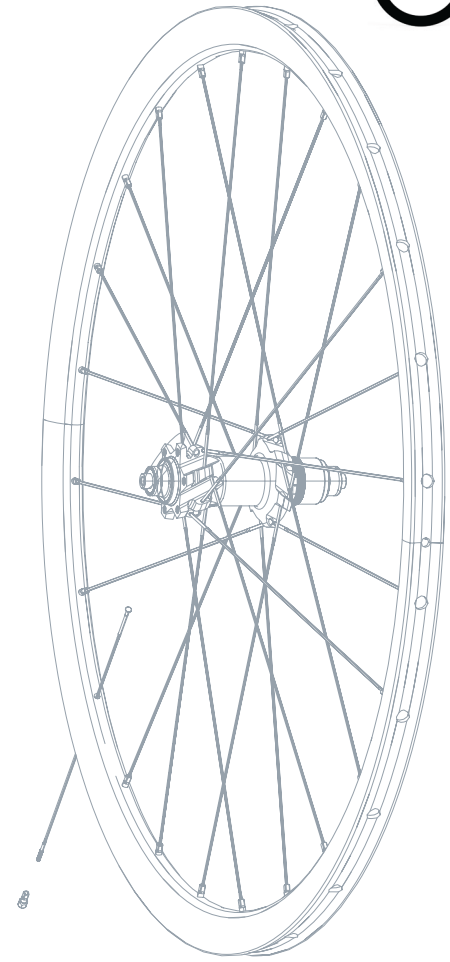
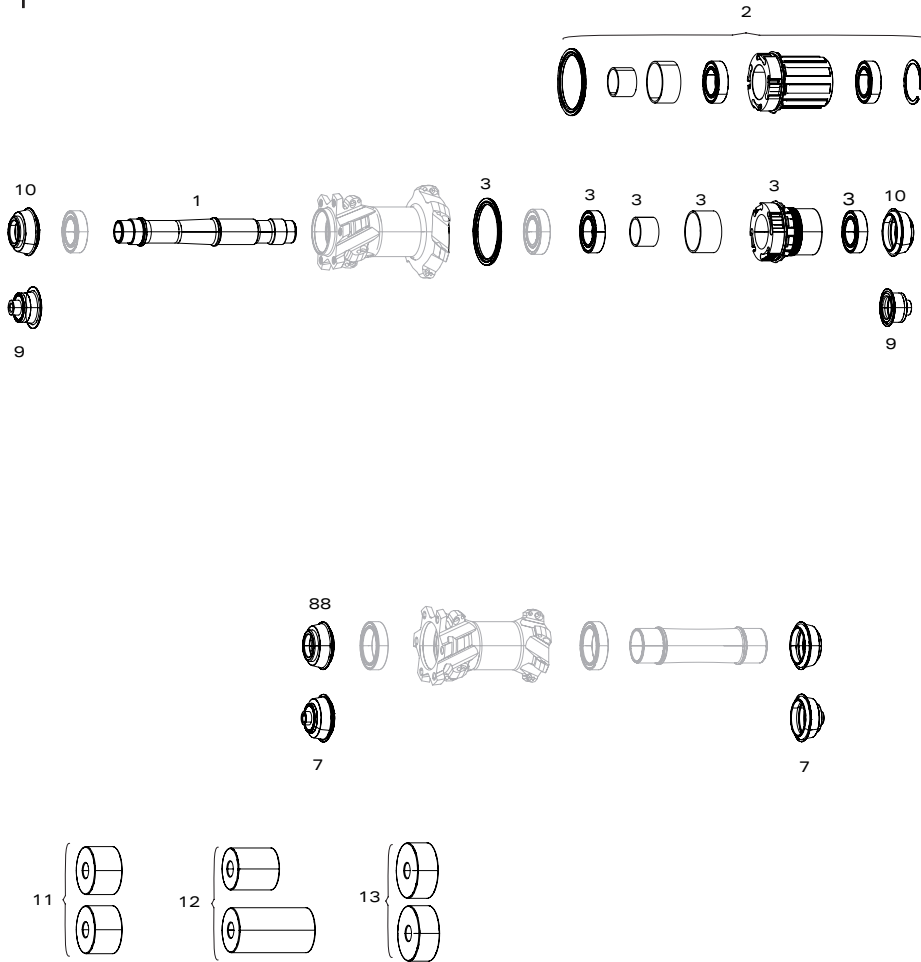
TOOLS AND GREASE

NO.	PART NUMBER	DESCRIPTION
ns	00.4318.008.000	GREASE SRAM BUTTER 20ML SYRINGE, FRICTION REDUCING GREASE BYSLICKOLEUM - DOUBLE TIME HUB PAWLS, FORKS & REVERB SERVICE
ns	00.4318.008.003	GREASE SRAM BUTTER 500ML CONTAINER, FRICTION REDUCING GREASEBY SLICKOLEUM - RECOMMENDED FOR SRAM DOUBLE TIME HUBS & WHEELS, ROCKSHOX FORKS AND REVERB SERVICE



WHEELS - RISE XX A1 (2015-2017)

WH-RISE-XX-A1



NOTES:

- 1. Rise XX uses Double Time hub internals
- 2. All Rise XX hubs use ceramic ball bearings.
- 3. See Maxle page for complete list of Maxle options

NO.	PART NUMBER	DESCRIPTION
1	11.1918.002.013	WHEEL AXLE - REAR - X0 HUBS/RISE 60 (B1)/ROAM30/ROAM 40/RAIL 40/RISE XX/ ROAM 50/60 B1
2	11.1918.000.011	WHEEL FREEHUB KIT - (INCLUDES BEARINGS & PAWLS) 9/10 SPEED - X0HUBS/RISE 60 (B1)/ROAM 30/ROAM 40/RAIL 40/RISE XX/ROAM 50/60 (B1)
3	11.1918.000.012	WHEEL FREEHUB KIT - (INCLUDES BEARINGS & PAWLS) 11/12 SPEED XD - X0 HUBS/RISE 60 (B1)/ROAM 30/ROAM 40/RAIL 40/RISE XX/ROAM 50/60 (B1)
CONVERSION CAPS		
NO.	PART NUMBER	DESCRIPTION
7	00.1918.145.000	CONVERSION CAPS HUB DOUBLE TIME FRONT, 9X100 QR 19MM STANDARD - X0HUBS/900HUBS/RISE60 (B1)/ROAM30/ROAM40/ROAM50/60(B1)/RAIL40/RISEXX
8	00.1918.145.002	CONVERSION CAPS HUB DOUBLE TIME FRONT, 15X100/15X110 BOOST THROUGH AXLE X0HUBS/900HUBS/RISE60 (B1)/ROAM30/ROAM40/ROAM50/60(B1)/RAIL40/RISEXX
8	00.1918.145.003	CONVERSION CAPS HUB DOUBLE TIME FRONT, 20X110 THROUGH AXLE - X0HUBS/900HUBS/RISE60 (B1)/ROAM30/ROAM40/ROAM50/60(B1)/RAIL40/RISEXX
9	00.1918.145.004	CONVERSION CAPS HUB DOUBLE TIME REAR, 10X135 QR, FITS 9/10 SPEED DRIVER BODY - X0HUBS/900HUBS/RISE60 (B1)/ROAM30/ROAM40/ROAM50/60(B1)/RAIL40/RISEXX
9	00.1918.145.006	CONVERSION CAPS HUB DOUBLE TIME REAR, 10X135 QR, FITS XD/XDR DRIVER BODIES - X0HUBS/900HUBS/RISE60 (B1)/ROAM30/ROAM40/ROAM50/60(B1)/RAIL40/RISEXX
10	00.1918.145.007	CONVERSION CAPS HUB DOUBLE TIME REAR, 12X142/12X157 X0 DH/12X148 BOOST, FITS XD/XDR DRIVER BODIES - X0HUBS/900HUBS/RISE60(B1)/ROAM30/ROAM40/ROAM50/60(B1)/RAIL40/RISEXX
10	00.1918.145.010	CONVERSION CAPS HUB DOUBLE TIME REAR, 12X142/12X157 X0 DH/12X148 BOOST, THROUGH AXLE, 9/10 SPEED DRIVER BODY - X0HUBS/900HUBS/RISE60 (B1)/ROAM30/ROAM40/ROAM50/60(B1)/RAIL40/RISEXX
10	00.1918.145.012	CONVERSION CAPS HUB DOUBLE TIME REAR - 12X135, 12X150 X0 DH THROUGH AXLE, FITS XD/XDR DRIVER BODIES - X0HUBS/900HUBS/RISE60 (B1)/ROAM30/ROAM40/ROAM50/60(B1)/RAIL40/RISEXX

WHEELS - RISE XX A1 (2015-2017)



WH-RISE-XX-A1

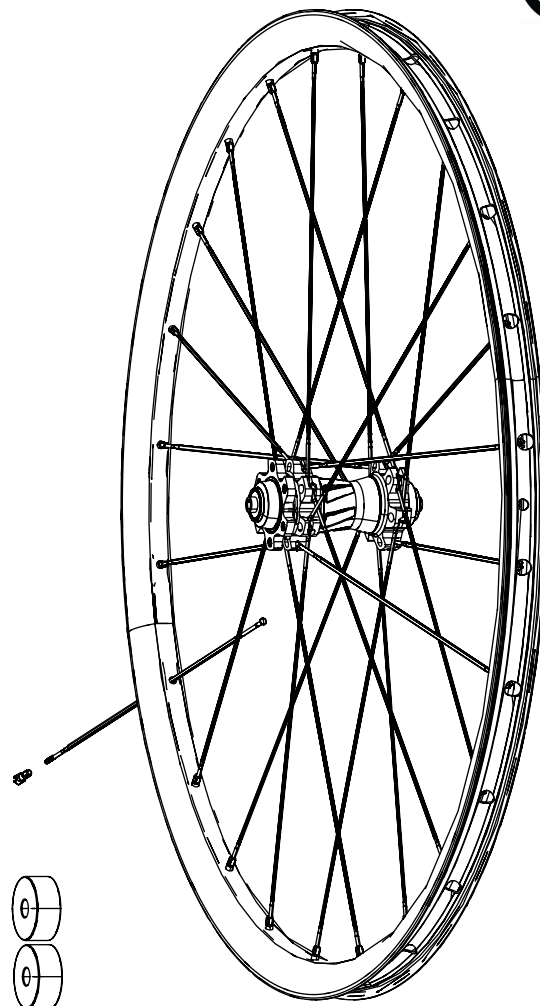
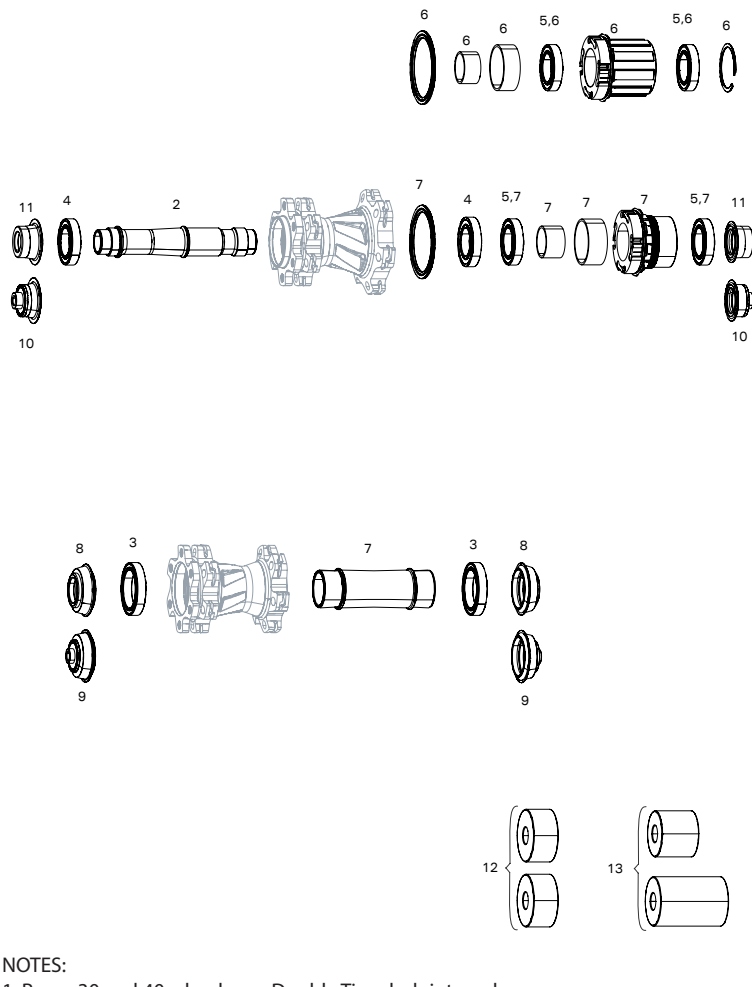
MAXLE AND QUICK RELEASE		
NO.	PART NUMBER	DESCRIPTION
ns	00.1915.232.010	QUICK RELEASE PAIR RISE 60 STAINLESS
ns	00.4318.005.001	AXLE MAXLE ULTIMATE FRONT MTB, 15X100, LENGTH 148MM, THREADLENGTH 9MM, THREAD PITCH M15X1.50 - PIKE, RS1, LYRIK B1, YARI
ns	00.4318.005.018	AXLE MAXLE STEALTH FRONT MTB, 15X100, LENGTH 148MM, THREAD LENGTH 9MM, THREAD PITCH M15X1.50 (NOT COMPATIBLE WITH RS-1) STANDARD
ns	00.4318.005.002	AXLE MAXLE LITE FRONT MTB, 15X100, LENGTH 148MM, THREAD LENGTH 9MM, THREAD PITCH M15X1.50 - SID/REBA/REVELATION/RECON/SEKTOR/XC32

TOOLS AND GREASE		
NO.	PART NUMBER	DESCRIPTION
11	00.1918.177.010	BEARING PRESS TOOL 23X32X7, FRONT HUB - X0 HUBS/900 HUBS/RISE 60 (B1)/ROAM 30/ROAM 40/ROAM 60(B1)/RAIL 40/RISE XX
12	00.1918.177.040	BEARING PRESS TOOLS 6903/63803D28, REAR HUB - X0 HUBS/900 HUBS/RISE 60 (B1)/ROAM 30/ROAM 40/ROAM 60(B1)/ RAIL 40/RISE XX
13	00.1918.177.030	BEARING PRESS TOOL 27.5X37X7, PREDICTIVE STEERING FRONT HUB - RISE60(A1,B1)/ROAM50/RISE XX
ns	00.4318.008.000	GREASE SRAM BUTTER 20ML SYRINGE, FRICTION REDUCING GREASE BYSLICKOLEUM - DOUBLE TIME HUB PAWLS, FORKS & REVERB SERVICE
ns	00.4318.008.003	GREASE SRAM BUTTER 500ML CONTAINER, FRICTION REDUCING GREASEBY SLICKOLEUM - RECOMMENDED FOR SRAM DOUBLE TIME HUBS & WHEELS, ROCKSHOX FORKS AND REVERB SERVICE



WHEELS - ROAM 30/40 (2015-2017) A1

WH-ROAM-30-A1 / WH-ROAM-40-A1



NOTES:

- 1. Roam 30 and 40 wheels use Double Time hub internals.
- 2. See Maxle page for complete list of Maxle options

NO.	PART NUMBER	DESCRIPTION
1	11.1918.027.009	SPOKES & NIPPLES 3-PACK 264MM STRAIGHT-PULL EXTERNAL BLACK -ROAM 30 26"
1	11.1918.027.010	SPOKES & NIPPLES 3-PACK 276MM STRAIGHT-PULL EXTERNAL BLACK -ROAM 30 27.5"
1	11.1918.027.011	SPOKES & NIPPLES 3-PACK 294MM STRAIGHT-PULL EXTERNAL BLACK -ROAM 30 29"
1	11.1918.027.013	SPOKES & NIPPLES 3-PACK 276MM STRAIGHT-PULL EXTERNAL BLACK -ROAM 40/RAIL 40 27.5"
1	11.1918.027.014	SPOKES & NIPPLES 3-PACK 294MM STRAIGHT-PULL EXTERNAL BLACK -ROAM 40/RAIL 40 29"
NO.	PART NUMBER	DESCRIPTION
2	11.1918.002.013	WHEEL AXLE - REAR - X0 HUBS/RISE 60 (B1)/ROAM30/ROAM 40/RAIL40/RISE XX/ ROAM 50/60 B1
3	11.1918.003.030	WHEEL HUB BEARINGS - FRONT DOUBLE TIME (INCLUDES 2-23327) - X0 HUBS/RISE 60 (B1)/ROAM 30/ROAM 40/ROAM 50/60(B1)/RAIL 40
4	11.1918.003.040	WHEEL HUB BEARINGS - REAR DOUBLE TIME (INCLUDES1-6903/61903 & 1-63803D28) - X0 HUBS/RISE 60 (B1)/ROAM 30/ROAM 40/ROAM 50/60 (B1)/RAIL 40
5	11.1918.003.050	WHEEL HUB BEARINGS - FREEHUB DOUBLE TIME (INCLUDES 2-63803D28) -X0 HUBS/RISE60 (B1)/ROAM 30/ROAM 40/ROAM 50/60 (B1)/RAIL40
6	11.1918.000.011	WHEEL FREEHUB KIT - (INCLUDES BEARINGS & PAWLS) 9/10 SPEED -X0HUBS/RISE 60 (B1)/ROAM 30/ROAM 40/RAIL 40/RISE XX/ROAM 50 /60 (B1)
7	11.1918.000.012	WHEEL FREEHUB KIT - (INCLUDES BEARINGS & PAWLS) 11/12 SPEED XD X0 HUBS/RISE 60 (B1)/ROAM 30/ROAM 40/RAIL 40/RISE XX/ROAM 50/60 (B1)
ns	00.1918.126.004	TUBELESS KIT INCLUDES 26MM TAPE, 2 UNIVERSAL VALVES & 1 VALVE CORE WRENCH (FITS 21MM INNER WIDTH RIMS, RISE 60 [B1]/ROAM [A1]WHEELS)
ns	00.1918.325.000	TUBELESS UNIVERSAL VALVE, REMOVABLE VALVE CORE (INCLUDES 1 TUBELESS VALVE & 1 VALVE CORE WRENCH) - SRAM MTB WHEELS

WHEELS - ROAM 30/40 (2015-2017) A1



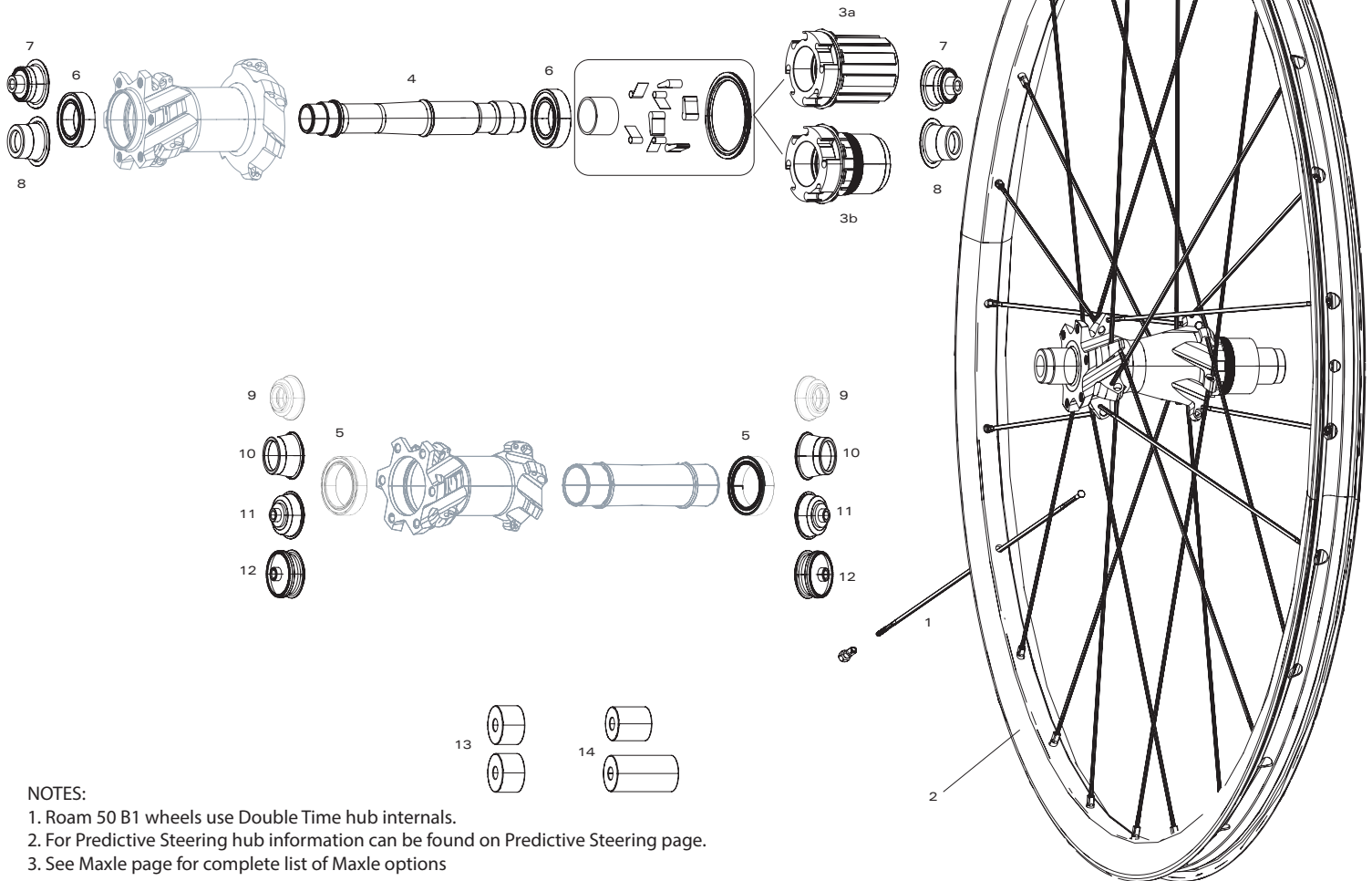
WH-ROAM-30-A1 / WH-ROAM-40-A1

CONVERSION CAPS		
NO.	PART NUMBER	DESCRIPTION
8	00.1918.145.000	CONVERSION CAPS HUB DOUBLE TIME FRONT, 9X100 QR 19MM STANDARD
9	00.1918.145.002	CONVERSION CAPS HUB DOUBLE TIME FRONT, 15X100MM THROUGH AXLE
9	00.1918.145.003	CONVERSION CAPS HUB DOUBLE TIME FRONT, 20X110 THROUGH AXLE
10	00.1918.145.004	CONVERSION CAPS HUB DOUBLE TIME REAR, 10X135 QR, FITS 9/10 SPEED DRIVER BODY
10	00.1918.145.006	CONVERSION CAPS HUB DOUBLE TIME REAR, 10X135 QR, FITS XD/XD-R DRIVER BODIES
11	00.1918.145.007	CONVERSION CAPS HUB DOUBLE TIME REAR, 12X142/12X157 X0 DH/12X148 BOOST, FITS XD/XD-R DRIVER BODIES
11	00.1918.145.010	CONVERSION CAPS HUB DOUBLE TIME REAR, 12X142/12X157 X0 DH/12X148 BOOST, THROUGH AXLE, 9/10 SPEED DRIVER BODY
11	00.1918.145.011	CONVERSION CAPS HUB DOUBLE TIME FRONT, 15X100/15X110 BOOST, 31MM THROUGH AXLE, TORQUE CAP ROCKSHOX FORKS
11	00.1918.145.012	CONVERSION CAPS HUB DOUBLE TIME REAR - 12X135, 12X150 X0 DH THROUGH AXLE, FITS XD/XD-R DRIVER BODIES
11	00.1918.145.013	CONVERSION CAPS HUB DOUBLE TIME FRONT - 12X100 - X0HUBS/900HUBS/RISE60 (B1)/ROAM30/ROAM40/ROAM50/60(B1)/RAIL40/RISEXX
MAXLE AND QUICK RELEASE		
NO.	PART NUMBER	DESCRIPTION
ns	00.1915.232.010	QUICK RELEASE PAIR RISE 60 STAINLESS
ns	00.1915.002.020	QUICK RELEASE PAIR X.9 STEEL BLACK FOR MTB WHEELS
ns	00.4318.005.001	AXLE MAXLE ULTIMATE FRONT MTB, 15X100, LENGTH 148MM, THREADLENGTH 9MM, THREAD PITCH M15X1.50 - PIKE, RS1, LYRIK B1, YARI
ns	00.4318.005.002	AXLE MAXLE LITE FRONT MTB, 15X100, LENGTH 148MM, THREAD LENGTH 9MM, THREAD PITCH M15X1.50 - SID/REBA/REVELATION/RECON/SEKTOR/XC32
TOOLS AND GREASE		
NO.	PART NUMBER	DESCRIPTION
12	00.1918.177.010	BEARING PRESS TOOL 23X32X7, FRONT HUB - X0 HUBS/900 HUBS/RISE 60 (B1)/ROAM 30/ROAM 40/ROAM 60(B1)/RAIL 40/RISE XX
13	00.1918.177.040	BEARING PRESS TOOLS 6903/63803D28, REAR HUB - X0 HUBS/900 HUBS/RISE 60 (B1)/ROAM 30/ROAM 40/ROAM 60(B1)/RAIL 40/RISE XX
ns	00.1918.177.030	BEARING PRESS TOOL 27.5X37X7, PREDICTIVE STEERING FRONT HUB - RISE60(A1,B1)/ROAM50/RISE XX
ns	00.4318.008.000	GREASE SRAM BUTTER 20ML SYRINGE, FRICTION REDUCING GREASE BY SLICKOLEUM - DOUBLE TIME HUB PAWLS, FORKS & REVERB SERVICE
ns	00.4318.008.003	GREASE SRAM BUTTER 500ML CONTAINER, FRICTION REDUCING GREASE BY SLICKOLEUM - RECOMMENDED FOR SRAM DOUBLE TIME HUBS & WHEELS, ROCKSHOX FORKS AND REVERB SERVICE



WHEELS - ROAM 50 29" B1 (2017-2018)

WH-ROAM-50-B1



NOTES:

1. Roam 50 B1 wheels use Double Time hub internals.
2. For Predictive Steering hub information can be found on Predictive Steering page.
3. See Maxle page for complete list of Maxle options

NO.	PART NUMBER	DESCRIPTION
1	11.1918.027.029	SPOKES & NIPPLES 3-PACK 292MM STRAIGHT-PULL .95X2.0 2.2HD BLACK - ROAM 50 CARBON (B1) 29"
ns	11.1918.027.030	SPOKES & NIPPLES 3-PACK 298MM STRAIGHT-PULL .95X2.0 2.2HD BLACK - ROAM 50 CARBON (B1) 29" (PREDICTIVE STEERING)
2	11.1918.028.029	RIM - 24H 29" ASYMMETRIC (INCLUDES DECALS & TUBELESS TAPE - 25MM) - ROAM 50 B1
ns	11.1915.084.213	WHEEL DECAL SET - RED/BLUE/GREEN/YELLOW/ORANGE/RED-ORANGE (INCLUDES FULL DECAL KITS ENOUGH FOR 2 WHEELS) - ROAM 50 MTB 29B1
ns	00.1918.126.006	TUBELESS KIT INCLUDES 32MM TAPE, 2 UNIVERSAL VALVES & 1 VALVE CORE WRENCH (FITS 30MM INNER WIDTH RIMS, ROAM 60[B1] WHEELS)
ns	00.1918.325.000	TUBELESS UNIVERSAL VALVE, REMOVABLE VALVE CORE (INCLUDES 1 TUBELESS VALVE & 1 VALVE CORE WRENCH) - SRAM MTB WHEELS
3a	11.1918.000.011	WHEEL FREEHUB KIT - (INCLUDES BEARINGS & PAWLS) 9/10 SPEED -X0HUBS/RISE 60 (B1)/ROAM 30/ROAM 40/RAIL 40/RISE XX/ROAM 50/60 (B1)
3b	11.1918.000.012	WHEEL FREEHUB KIT - (INCLUDES BEARINGS & PAWLS) 11 SPEED XD X0 HUBS/RISE 60 (B1)/ROAM 30/ROAM 40/RAIL 40/RISE XX/ROAM 50/60 (B1)
4	11.1918.002.013	WHEEL AXLE - REAR - X0 HUBS/RISE 60 (B1)/ROAM30/ROAM 40/RAIL40/RISE XX/ ROAM 50/60 B1
5	11.1918.003.030	WHEEL HUB BEARINGS - FRONT DOUBLE TIME (INCLUDES 2-23327) - X0 HUBS/RISE 60 (B1)/ROAM 30/ROAM 40/ROAM 50/60(B1)/RAIL 40
6	11.1918.003.040	WHEEL HUB BEARINGS - REAR DOUBLE TIME (INCLUDES 1-6903/61903 & 1-63803D28) - X0 HUBS/RISE 60 (B1)/ROAM 30/ROAM 40/ROAM 50/60 (B1)/RAIL 40
ns	11.1918.003.050	WHEEL HUB BEARINGS - FREEHUB DOUBLE TIME (INCLUDES 2-63803D28) -X0 HUBS/RISE60 (B1)/ROAM 30/ROAM 40/ROAM 50/60 (B1)/RAIL40

WHEELS - ROAM 50 29" B1 (2017-2018)

WH-ROAM-50-B1

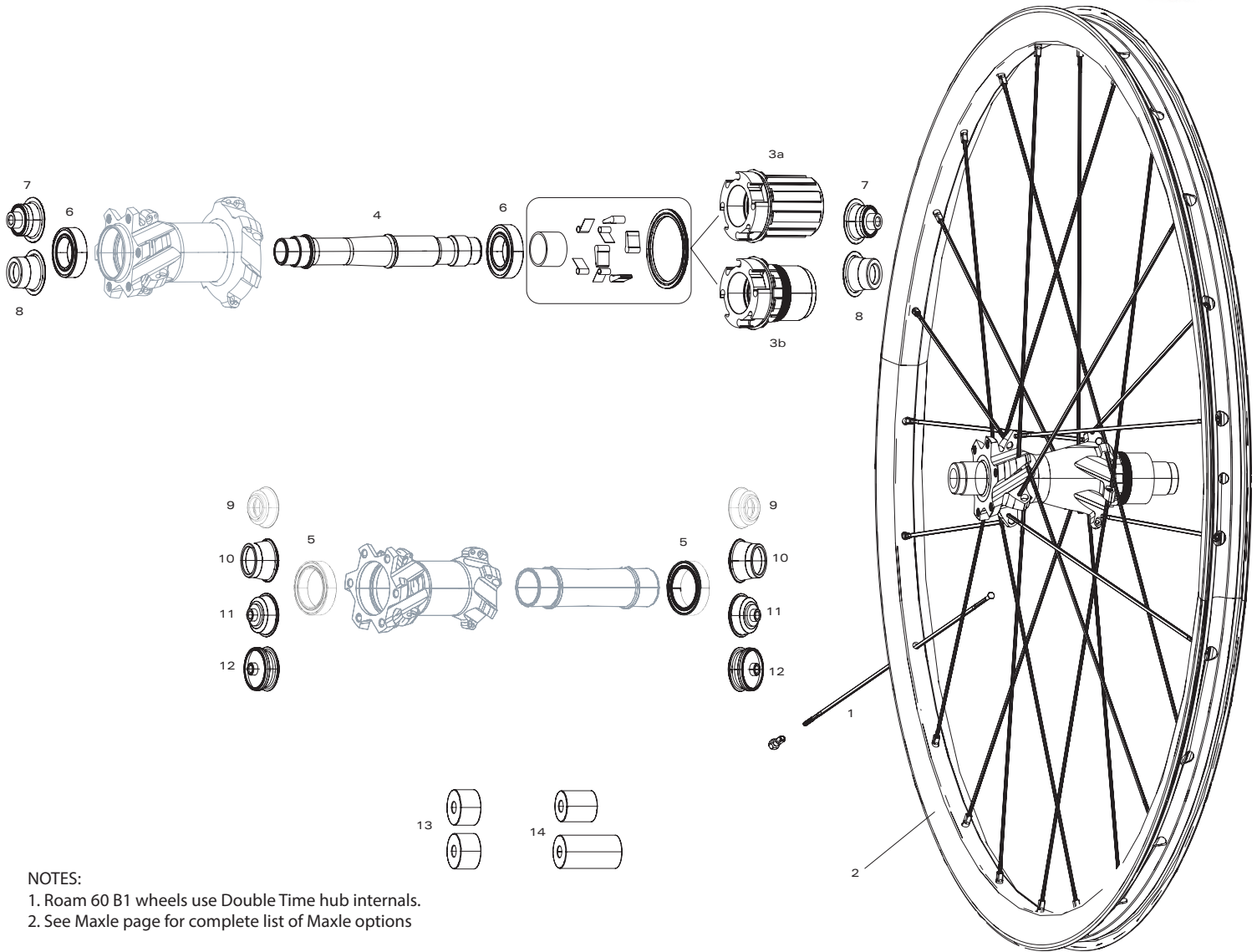


CONVERSION CAPS		
NO.	PART NUMBER	DESCRIPTION
7	00.1918.145.004	CONVERSION CAPS HUB DOUBLE TIME REAR, 10X135 QR, FITS 9/10 SPEED DRIVER BODY
7	00.1918.145.006	CONVERSION CAPS HUB DOUBLE TIME REAR, 10X135 QR, FITS XD/XD-R DRIVER BODIES
8	00.1918.145.007	CONVERSION CAPS HUB DOUBLE TIME REAR, 12X142/12X157 X0 DH/12X148 BOOST, FITS XD/XD-R DRIVER BODIES
8	00.1918.145.010	CONVERSION CAPS HUB DOUBLE TIME REAR, 12X142/12X157 X0 DH/12X148 BOOST, THROUGH AXLE, 9/10 SPEED DRIVER BODY
8	00.1918.145.012	CONVERSION CAPS HUB DOUBLE TIME REAR - 12X135, 12X150 X0 DH THROUGH AXLE, FITS XD/XD-R DRIVER BODIES
9	00.1918.145.002	CONVERSION CAPS HUB DOUBLE TIME FRONT, 15X100MM THROUGH AXLE
9	00.1918.145.011	CONVERSION CAPS HUB DOUBLE TIME FRONT, 15X100/15X110 BOOST, 31MM THROUGH AXLE, TORQUE CAP ROCKSHOX FORKS
10	00.1918.145.003	CONVERSION CAPS HUB DOUBLE TIME FRONT, 20X110 THROUGH AXLE
11	00.1918.145.000	CONVERSION CAPS HUB DOUBLE TIME FRONT, 9X100 QR 19MM STANDARD
ns	00.1918.145.013	CONVERSION CAPS HUB DOUBLE TIME FRONT - 12X100 - X0HUBS/900HUBS/RISE60 (B1)/ROAM30/ROAM40/ROAM50/60(B1)/RAIL40/RISEXX
MAXLE AND QUICK RELEASE		
NO.	PART NUMBER	DESCRIPTION
ns	00.1915.232.010	QUICK RELEASE PAIR RISE 60 STAINLESS
ns	00.1915.002.020	QUICK RELEASE PAIR X.9 STEEL BLACK FOR MTB WHEELS
ns	00.4318.005.001	AXLE MAXLE ULTIMATE FRONT MTB, 15X100, LENGTH 148MM, THREADLENGTH 9MM, THREAD PITCH M15X1.50 - PIKE, RS1, LYRIK B1, YARI
ns	00.4318.005.018	AXLE MAXLE STEALTH FRONT MTB, 15X100, LENGTH 148MM, THREAD LENGTH 9MM, THREAD PITCH M15X1.50 (NOT COMPATIBLE WITH RS-1) STANDARD
ns	00.4318.005.002	AXLE MAXLE LITE FRONT MTB, 15X100, LENGTH 148MM, THREAD LENGTH 9MM, THREAD PITCH M15X1.50 - SID/REBA/REVELATION/RECON/SEKTOR/XC32 SEE ALSO MAXLE PAGE
TOOLS AND GREASE		
NO.	PART NUMBER	DESCRIPTION
13	00.1918.177.010	BEARING PRESS TOOL 23X32X7, FRONT HUB - X0 HUBS/900 HUBS/RISE 60 (B1)/ROAM 30/ROAM 40/ROAM 60(B1)/RAIL 40/RISE XX
14	00.1918.177.040	BEARING PRESS TOOLS 6903/63803D28, REAR HUB - X0 HUBS/900 HUBS/RISE 60 (B1)/ROAM 30/ROAM 40/ROAM 60(B1)/RAIL 40/RISE XX
ns	00.4318.008.000	GREASE SRAM BUTTER 20ML SYRINGE, FRICTION REDUCING GREASE BY SLICKOLEUM - DOUBLE TIME HUB PAWLS, FORKS & REVERB SERVICE
ns	00.4318.008.003	GREASE SRAM BUTTER 500ML CONTAINER, FRICTION REDUCING GREASE BY SLICKOLEUM - RECOMMENDED FOR SRAM DOUBLE TIME HUBS & WHEELS, ROCKSHOX FORKS AND REVERB SERVICE



WHEELS - ROAM 60 27.5"/29" B1 (2017-2018)

WH-ROAM-60-B1



NOTES:

- 1. Roam 60 B1 wheels use Double Time hub internals.
- 2. See Maxle page for complete list of Maxle options

NO.	PART NUMBER	DESCRIPTION
1	11.1918.027.028	SPOKES & NIPPLES 3-PACK 284MM CX-RAY STRAIGHT-PULL EXTERNAL BLACK - ROAM 60 (B1) 27.5"
1	11.1918.073.000	SPOKES & NIPPLES 3-PACK 307MM STRAIGHT-PULL 1.6X2.0 2.2HD BLACK - ROAM 60 CARBON (B1) 29"
2	11.1918.028.030	RIM - 28H 29" ASYMMETRIC (INCLUDES DECALS & TUBELESS TAPE - 30MM) - ROAM 60 B1
ns	00.1918.126.006	TUBELESS KIT INCLUDES 32MM TAPE, 2 UNIVERSAL VALVES & 1 VALVE CORE WRENCH (FITS 30MM INNER WIDTH RIMS, ROAM 60[B1] WHEELS)
ns	00.1918.325.000	TUBELESS UNIVERSAL VALVE, REMOVABLE VALVE CORE (INCLUDES 1 TUBELESS VALVE & 1 VALVE CORE WRENCH) - SRAM MTB WHEELS
3a	11.1918.000.011	WHEEL FREEHUB KIT - (INCLUDES BEARINGS & PAWLS) 9/10 SPEED -X0HUBS/RISE 60 (B1)/ROAM 30/ROAM 40/RAIL 40/RISE XX/ROAM 50 /60 (B1)
3b	11.1918.000.012	WHEEL FREEHUB KIT - (INCLUDES BEARINGS & PAWLS) 11/12 SPEED XD X0 HUBS/RISE 60 (B1)/ROAM 30/ROAM 40/RAIL 40/RISE XX/ROAM 50/60 (B1)
4	11.1918.002.013	WHEEL AXLE - REAR - X0 HUBS/RISE 60 (B1)/ROAM30/ROAM 40/RAIL40/RISE XX/ ROAM 50/60 B1
5	11.1918.003.030	WHEEL HUB BEARINGS - FRONT DOUBLE TIME (INCLUDES 2-23327) - X0 HUBS/RISE 60 (B1)/ROAM 30/ROAM 40/ROAM 50/60(B1)/RAIL 40
6	11.1918.003.040	WHEEL HUB BEARINGS - REAR DOUBLE TIME (INCLUDES1-6903/61903 & 1-63803D28) - X0 HUBS/RISE 60 (B1)/ROAM 30/ROAM 40/ROAM 50/60 (B1)/RAIL 40
ns	11.1918.003.050	WHEEL HUB BEARINGS - FREEHUB DOUBLE TIME (INCLUDES 2-63803D28) -X0 HUBS/RISE60 (B1)/ROAM 30/ROAM 40/ROAM 50/60 (B1)/RAIL40



WHEELS - ROAM 60 27.5" B1 (2017-2018)

WH-ROAM-60-B1



CONVERSION CAPS

NO.	PART NUMBER	DESCRIPTION
7	00.1918.145.004	CONVERSION CAPS HUB DOUBLE TIME REAR, 10X135 QR, FITS 9/10 SPEED DRIVER BODY
7	00.1918.145.006	CONVERSION CAPS HUB DOUBLE TIME REAR, 10X135 QR, FITS XD/XD-R DRIVER BODIES
8	00.1918.145.007	CONVERSION CAPS HUB DOUBLE TIME REAR, 12X142/12X157 X0 DH/12X148 BOOST, FITS XD/XD-R DRIVER BODIES
8	00.1918.145.010	CONVERSION CAPS HUB DOUBLE TIME REAR, 12X142/12X157 X0 DH/12X148 BOOST, THROUGH AXLE, 9/10 SPEED DRIVER BODY
8	00.1918.145.012	CONVERSION CAPS HUB DOUBLE TIME REAR - 12X135, 12X150 X0 DH THROUGH AXLE, FITS XD/XD-R DRIVER BODIES
9	00.1918.145.002	CONVERSION CAPS HUB DOUBLE TIME FRONT, 15X100MM THROUGH AXLE
9	00.1918.145.011	CONVERSION CAPS HUB DOUBLE TIME FRONT, 15X100/15X110 BOOST, 31MM THROUGH AXLE, TORQUE CAP ROCKSHOX FORKS
10	00.1918.145.003	CONVERSION CAPS HUB DOUBLE TIME FRONT, 20X110 THROUGH AXLE
11	00.1918.145.000	CONVERSION CAPS HUB DOUBLE TIME FRONT, 9X100 QR 19MM STANDARD

MAXLE AND QUICK RELEASE

NO.	PART NUMBER	DESCRIPTION
ns	00.1915.232.010	QUICK RELEASE PAIR RISE 60 STAINLESS
ns	00.1915.002.020	QUICK RELEASE PAIR X.9 STEEL BLACK FOR MTB WHEELS
ns	00.4318.005.001	AXLE MAXLE ULTIMATE FRONT MTB, 15X100, LENGTH 148MM, THREAD LENGTH 9MM, THREAD PITCH M15X1.50 - PIKE, RS1, LYRIK B1, YARI
ns	00.4318.005.002	AXLE MAXLE LITE FRONT MTB, 15X100, LENGTH 148MM, THREAD LENGTH 9MM, THREAD PITCH M15X1.50 - SID/REBA/REVELATION/RECON/SEKTOR/XC32

SEE ALSO MAXLE PAGE

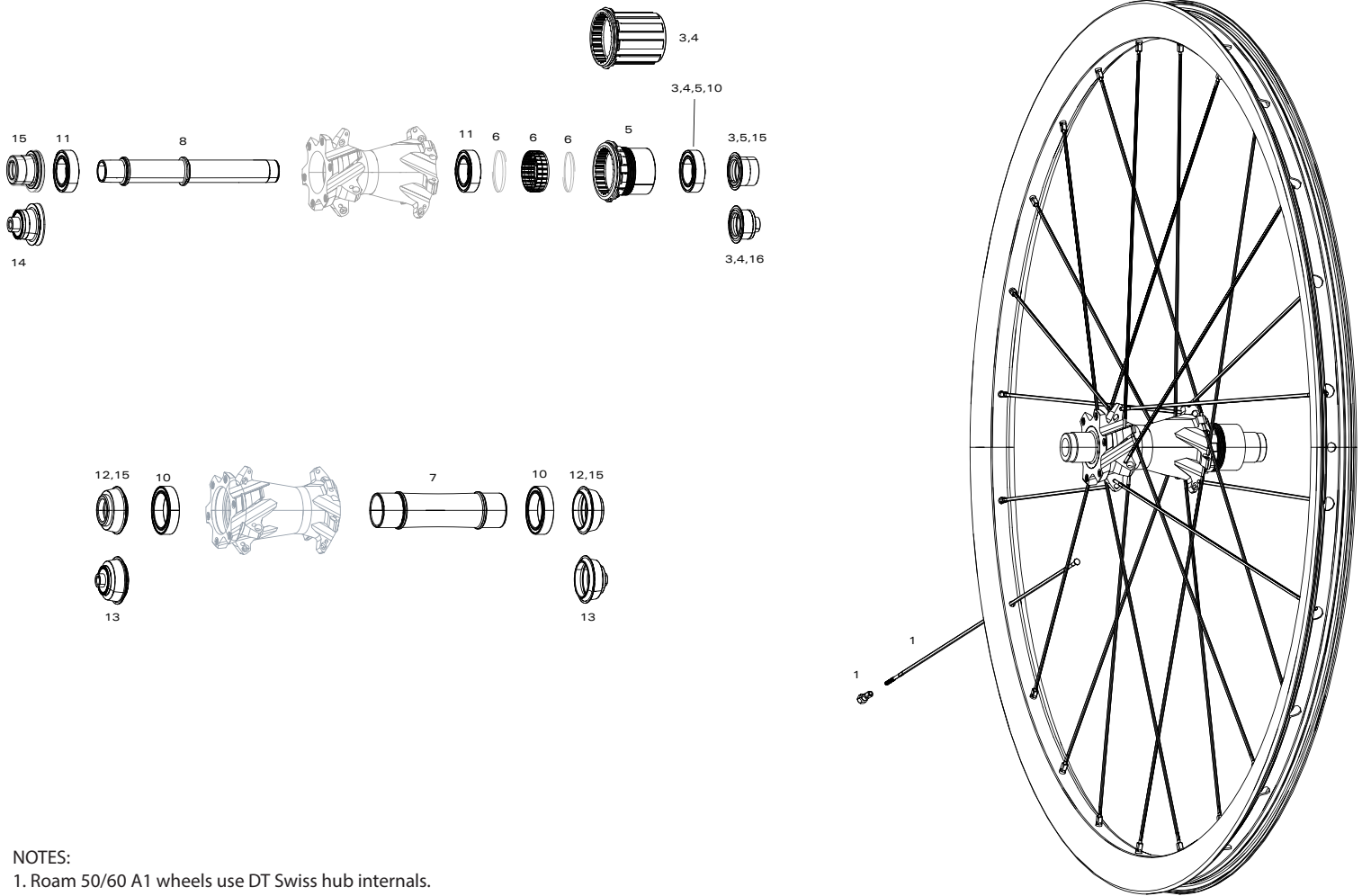
TOOLS AND GREASE

NO.	PART NUMBER	DESCRIPTION
13	00.1918.177.010	BEARING PRESS TOOL 23X32X7, FRONT HUB - X0 HUBS/900 HUBS/RISE 60 (B1)/ROAM 30/ROAM 40/ROAM 60(B1)/RAIL 40/RISE XX
14	00.1918.177.040	BEARING PRESS TOOLS 6903/63803D28, REAR HUB - X0 HUBS/900 HUBS/RISE 60 (B1)/ROAM 30/ROAM 40/ROAM 60(B1)/RAIL 40/RISE XX
ns	00.4318.008.000	GREASE SRAM BUTTER 20ML SYRINGE, FRICTION REDUCING GREASE BY SLICKOLEUM - DOUBLE TIME HUB PAWLS, FORKS & REVERB SERVICE
ns	00.4318.008.003	GREASE SRAM BUTTER 500ML CONTAINER, FRICTION REDUCING GREASE BY SLICKOLEUM - RECOMMENDED FOR SRAM DOUBLE TIME HUBS & WHEELS, ROCKSHOX FORKS AND REVERB SERVICE



WHEELS - ROAM 50/60 (2014-2016) A1

WH-ROAM-50-A1 / WH-ROAM-60-A1



NOTES:

- 1. Roam 50/60 A1 wheels use DT Swiss hub internals.
- 2. See Maxle page for complete list of Maxle options

NO.	PART NUMBER	DESCRIPTION
1	11.1918.027.001	SPOKES & NIPPLES & WASHERS 3-PACK 280MM CX-SPRINT STRAIGHT-PULL EXTERNAL BLACK - ROAM 60 27.5"
1	11.1918.027.002	SPOKES & NIPPLES & WASHERS 3-PACK 298MM CX-SPRINT STRAIGHT-PULL EXTERNAL BLACK - ROAM 60 29"
1	11.1918.027.003	SPOKES & NIPPLES 3-PACK 270MM BLADED STRAIGHT-PULL EXTERNAL BLACK - ROAM 50 26"
1	11.1918.027.004	SPOKES & NIPPLES 3-PACK 281MM BLADED STRAIGHT-PULL EXTERNAL BLACK - ROAM 50 27.5"
ns	00.1918.126.004	TUBELESS KIT INCLUDES 26MM TAPE, 2 UNIVERSAL VALVES & 1 VALVE CORE WRENCH (FITS 21MM INNER WIDTH RIMS, RISE 60 [B1]/ROAM [A1]WHEELS)
ns	00.1918.325.000	TUBELESS UNIVERSAL VALVE, REMOVABLE VALVE CORE (INCLUDES 1 TUBELESS VALVE & 1 VALVE CORE WRENCH) - SRAM MTB WHEELS



WHEELS - ROAM 50/60 (2014-2016) A1

WH-ROAM-50-A1 / WH-ROAM-60-A1



NO.	PART NUMBER	DESCRIPTION
3		DT Part No. HWYABX00S1239S
4		DT Part No. HWRABX00S1239S
5		DT Part No. HWYAAAX00S3115S
6		DT Part No. HWTXXX00NSK24S
6		DT Part No. HWDXXX00N2884S
7		DT Part No. HCCXXX00S1792S
7		DT Part No. HRCXXX00N2147S
8		DT Part No. HCCXXX00S2216S
9		DT Part No. HSBXXX00N2453S
10		DT Part No. HSBXXX00N2148S
11		DT Part No. HSBXXX00N1468S
12		DT Part No. HWYAAAX00S3382S
12		DT Part No. HWYAAAX00S3188S
13		DT Part No. HWYXXX00S2479S
13		DT Part No. N/A
14		DT Part No. HWYXXX00S2477S
14		DT Part No. N/A
15		DT Part No. HWYXXX00S2480S
16		DT Part No. HWGXXX0001528S
16		DT Part No. HWGXXX00S3115S
17		DT Part No. N/A
17		DT Part No. HWGXXX00S3382S
17		DT Part No. HWGXXX0002193C
17		DT Part No. HWGXXX00S3188S

MAXLE AND QUICK RELEASE

NO.	PART NUMBER	DESCRIPTION
ns	00.1915.232.010	QUICK RELEASE PAIR RISE 60 STAINLESS
ns	00.1915.002.020	QUICK RELEASE PAIR X.9 STEEL BLACK FOR MTB WHEELS
ns	00.4318.005.001	AXLE MAXLE ULTIMATE FRONT MTB, 15X100, LENGTH 148MM, THREADLENGTH 9MM, THREAD PITCH M15X1.50 - PIKE, RS1, LYRIK B1, YARI
ns	00.4318.005.018	AXLE MAXLE LITE FRONT MTB, 15X100, LENGTH 148MM, THREAD LENGTH 9MM, THREAD PITCH M15X1.50 - SID/REBA/REVELATION/RECON/SEKTOR/XC32

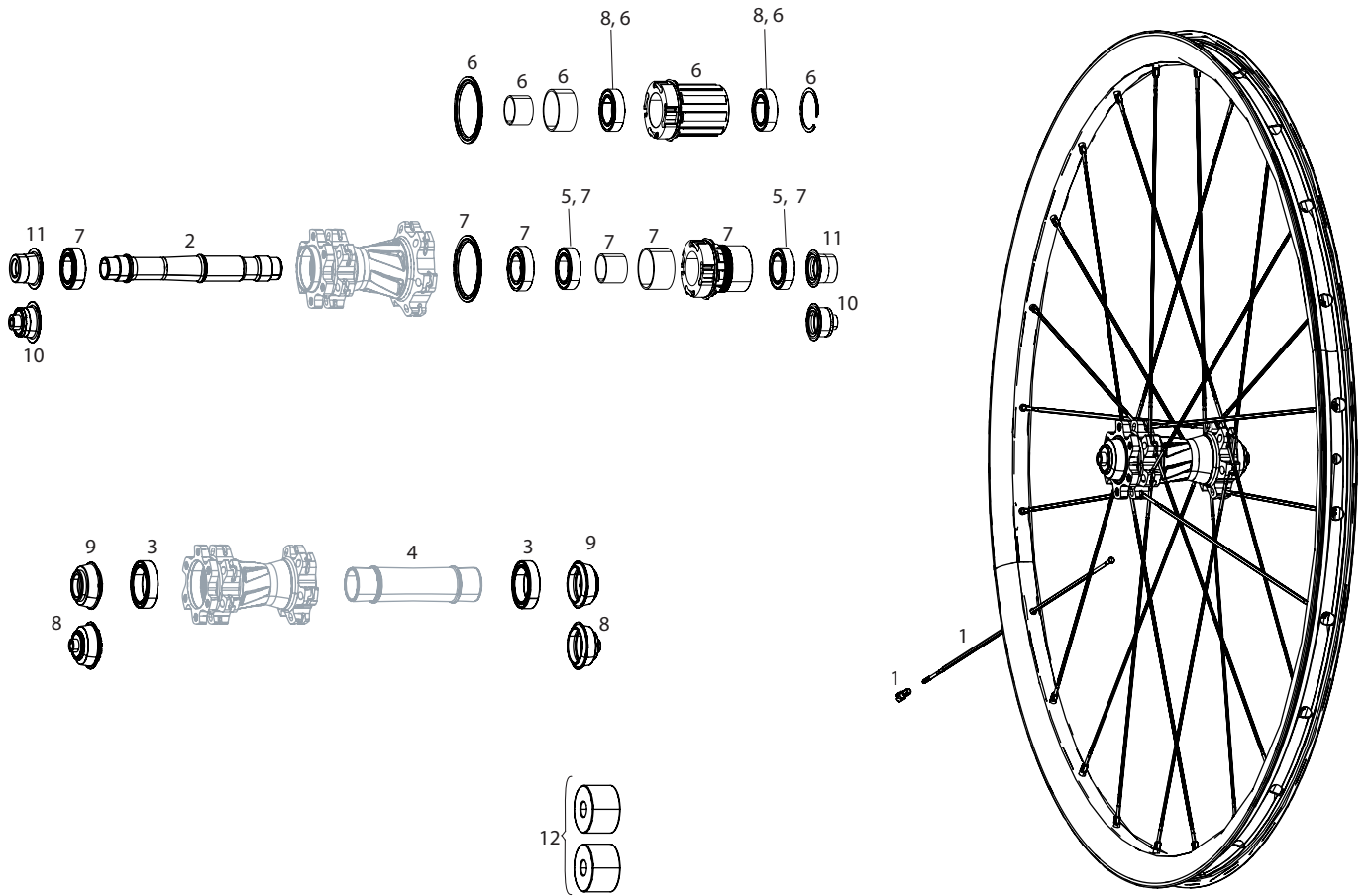
TOOLS AND GREASE

NO.	PART NUMBER	DESCRIPTION
13	00.1918.177.010	BEARING PRESS TOOL 23X32X7, FRONT HUB - X0 HUBS/900 HUBS/RISE 60 (B1)/ROAM 30/ROAM 40/ROAM 60(B1)/RAIL 40/RISE XX
14	00.1918.177.040	BEARING PRESS TOOLS 6903/63803D28, REAR HUB - X0 HUBS/900 HUBS/RISE 60 (B1)/ROAM 30/ROAM 40/ROAM 60(B1)/RAIL 40/RISE XX
ns	00.4318.008.000	GREASE SRAM BUTTER 20ML SYRINGE, FRICTION REDUCING GREASE BYSLICKOLEUM - DOUBLE TIME HUB PAWLS, FORKS & REVERB SERVICE
ns	00.4318.008.003	GREASE SRAM BUTTER 500ML CONTAINER, FRICTION REDUCING GREASEBY SLICKOLEUM - RECOMMENDED FOR SRAM DOUBLE TIME HUBS & WHEELS, ROCKSHOX FORKS AND REVERB SERVICE



WHEELS - RAIL 40 (2015-2016) A1

WH-RAIL-40-A1



NOTES:

- 1. Rail 40 wheels use Double Time hub internals.
- 2. See Maxle page for complete list of Maxle options

NO.	PART NUMBER	DESCRIPTION
1	11.1918.027.013	SPOKES & NIPPLES 3-PACK 276MM STRAIGHT-PULL EXTERNAL BLACK -ROAM 40/RAIL 40 27.5"
1	11.1918.027.014	SPOKES & NIPPLES 3-PACK 294MM STRAIGHT-PULL EXTERNAL BLACK -ROAM 40/RAIL 40 29"
ns	00.1918.126.005	TUBELESS KIT INCLUDES 28MM TAPE, 2 UNIVERSAL VALVES & 1 VALVE CORE WRENCH (FITS 23MM INNER WIDTH RIMS, RAIL [A1]/ ROAM 50[B1]WHEELS)
ns	00.1918.325.000	TUBELESS UNIVERSAL VALVE, REMOVABLE VALVE CORE (INCLUDES 1 TUBELESS VALVE & 1 VALVE CORE WRENCH) - SRAM MTB WHEELS
2	11.1918.002.013	WHEEL AXLE - REAR - X0 HUBS/RISE 60 (B1)/ROAM30/ROAM 40/RAIL40/RISE XX/ ROAM 50/60 B1
3	11.1918.003.030	WHEEL HUB BEARINGS - FRONT DOUBLE TIME (INCLUDES 2-23327) - X0 HUBS/RISE 60 (B1)/ROAM 30/ROAM 40/ROAM 50/60(B1)/RAIL 40
4	11.1918.003.040	WHEEL HUB BEARINGS - REAR DOUBLE TIME (INCLUDES1-6903/61903 & 1-63803D28) - X0 HUBS/RISE 60 (B1)/ROAM 30/ROAM 40/ROAM 50/60 (B1)/RAIL 40
5	11.1918.003.050	WHEEL HUB BEARINGS - FREEHUB DOUBLE TIME (INCLUDES 2-63803D28) -X0 HUBS/RISE60 (B1)/ROAM 30/ROAM 40/ROAM 50/60 (B1)/RAIL40
6	11.1918.000.011	WHEEL FREEHUB KIT - (INCLUDES BEARINGS & PAWLS) 9/10 SPEED -X0HUBS/RISE 60 (B1)/ROAM 30/ROAM 40/RAIL 40/RISE XX/ROAM 50 /60 (B1)
7	11.1918.000.012	WHEEL FREEHUB KIT - (INCLUDES BEARINGS & PAWLS) XD X0 HUBS/RISE 60 (B1)/ROAM 30/ROAM 40/RAIL 40/RISE XX/ROAM 50/60 (B1)



WHEELS - RAIL 40 (2015-2016) A1

WH-RAIL-40-A1

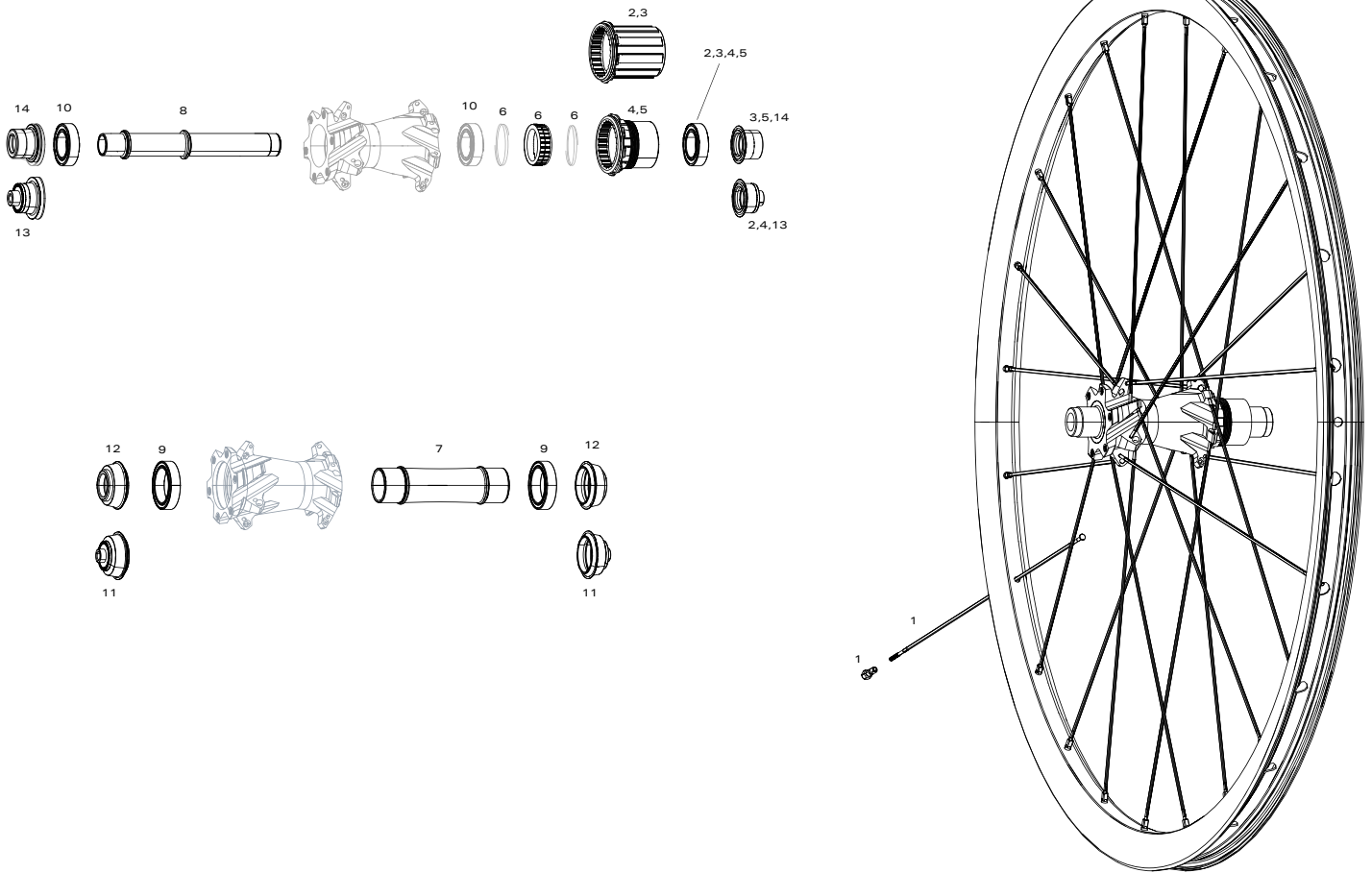


NO.	PART NUMBER	DESCRIPTION
8	00.1918.145.000	CONVERSION CAPS HUB DOUBLE TIME FRONT, 9X100 QR 19MM STANDARD
9	00.1918.145.002	CONVERSION CAPS HUB DOUBLE TIME FRONT, 15X100MM THROUGH AXLE
ns	00.1918.145.003	CONVERSION CAPS HUB DOUBLE TIME FRONT, 20X110 THROUGH AXLE
9	00.1918.145.011	CONVERSION CAPS HUB DOUBLE TIME FRONT, 15X100/15X110 BOOST, 31MM THROUGH AXLE, TORQUE CAP ROCKSHOX FORKS
10	00.1918.145.004	CONVERSION CAPS HUB DOUBLE TIME REAR, 10X135 QR, FITS 9/10 SPEED DRIVER BODY
10	00.1918.145.006	CONVERSION CAPS HUB DOUBLE TIME REAR, 10X135 QR, FITS XD/XD-R DRIVER BODIES
11	00.1918.145.007	CONVERSION CAPS HUB DOUBLE TIME REAR, 12X142/12X157 X0 DH/12X148 BOOST, FITS XD/XD-R DRIVER BODIES
11	00.1918.145.010	CONVERSION CAPS HUB DOUBLE TIME REAR, 12X142/12X157 X0 DH/12X148 BOOST, THROUGH AXLE, 9/10 SPEED DRIVER BODY
11	00.1918.145.012	CONVERSION CAPS HUB DOUBLE TIME REAR - 12X135, 12X150 X0 DH THROUGH AXLE, FITS XD/XD-R DRIVER BODIES - X0HUBS/900HUBS/RISE60 (B1)/ROAM30/ROAM40/ROAM50/60(B1)/RAIL40/RISEXX
ns	00.1915.232.010	QUICK RELEASE PAIR RISE 60 STAINLESS
ns	00.1915.002.020	QUICK RELEASE PAIR X.9 STEEL BLACK FOR MTB WHEELS
ns	00.4318.005.001	AXLE MAXLE ULTIMATE FRONT MTB, 15X100, LENGTH 148MM, THREADLENGTH 9MM, THREAD PITCH M15X1.50 - PIKE, RS1, LYRIK B1, YARI
ns	00.4318.005.002	AXLE MAXLE LITE FRONT MTB, 15X100, LENGTH 148MM, THREAD LENGTH 9MM, THREAD PITCH M15X1.50 - SID/REBA/REVELATION/RECON/SEKTOR/XC32
12	00.1918.177.010	BEARING PRESS TOOL 23X32X7, FRONT HUB - X0 HUBS/900 HUBS/RISE 60 (B1)/ROAM 30/ROAM 40/ROAM 60(B1)/RAIL 40/RISE XX
ns	00.4318.008.000	GREASE SRAM BUTTER 20ML SYRINGE, FRICTION REDUCING GREASE BYSLICKOLEUM - DOUBLE TIME HUB PAWLS, FORKS & REVERB SERVICE



WHEELS - RAIL 50 (2014-2016) A1

WH-RAIL-50-A1



NOTES:

1. RAIL 50 wheels use DT Swiss hub internals.
2. See Maxle page for complete list of Maxle options

NO.	PART NUMBER	DESCRIPTION
1	11.1918.027.007	SPOKES & NIPPLES 3-PACK 281MM BLADED STRAIGHT-PULL EXTERNAL BLACK - RAIL 50 27.5"
ns	00.1918.126.005	TUBELESS KIT INCLUDES 28MM TAPE, 2 UNIVERSAL VALVES & 1 VALVE CORE WRENCH (FITS 23MM INNER WIDTH RIMS, RAIL [A1] WHEELS)
ns	00.1918.325.000	TUBELESS UNIVERSAL VALVE, REMOVABLE VALVE CORE (INCLUDES 1TUBELESS VALVE & 1 VALVE CORE WRENCH) - SRAM MTB WHEELS
2		DT Part No. HWYABX00S1239S
3		DT Part No. HWRABX00S1239S
3		DT Part No. HWRABX00S1239S
4		DT Part No. HWYAAAX00S3115S
5		DT Part No. HWYAAAX00S3382S
5		DT Part No. HWYAAAX00S3188S
6		DT Part No. HWTXXX00NSK24S
6		DT Part No. HWDXXX00N2884S
7		DT Part No. HCCXXX00S1792S
8		DT Part No. HCCXXX00S2216S
9		DT Part No. HSBXXX00N2453S
10		DT Part No. HSBXXX00N1468S



WHEELS - RAIL 50 (2014-2016) A1

WH-RAIL-50-A1



NO.	PART NUMBER	DESCRIPTION
11		DT Part No. HWYXXX00S2479S
12		DT Part No. HWYXXX00S2477S
12		DT Part No. HWYXXX00S2480S
13		DT PartNo. HWGXXX0001528S
13		DT Part No. HWGXXX00S3115S
14		DT Part No. N/A
14		DT Part No. HWGXXX00S3382S
14		DT Part No. HWGXXX0002193C
14		DT Part No. HWGXXX00S3188S
ns	00.1915.232.010	QUICK RELEASE PAIR RISE 60 STAINLESS
ns	00.1915.002.020	QUICK RELEASE PAIR X.9 STEEL BLACK FOR MTB WHEELS
ns	00.4318.005.001	AXLE MAXLE ULTIMATE FRONT MTB, 15X100, LENGTH 148MM, THREAD LENGTH 9MM, THREAD PITCH M15X1.50 - PIKE, RS1, LYRIK B1, YARI
ns	00.4318.005.002	AXLE MAXLE LITE FRONT MTB, 15X100, LENGTH 148MM, THREAD LENGTH 9MM, THREAD PITCH M15X1.50 - SID/REBA/REVELATION/RECON/SEKTOR/XC32
ns	00.4318.005.018	AXLE MAXLE STEALTH FRONT MTB, 15X100, LENGTH 148MM, THREAD LENGTH 9MM, THREAD PITCH M15X1.50 (NOT COMPATIBLE WITH RS-1) - STANDARD
SEE ALSO MAXLE PAGE		
ns	00.4318.008.000	GREASE SRAM BUTTER 20ML SYRINGE, FRICTION REDUCING GREASE BYSLICKOLEUM - DOUBLE TIME HUB PAWLS, FORKS & REVERB SERVICE

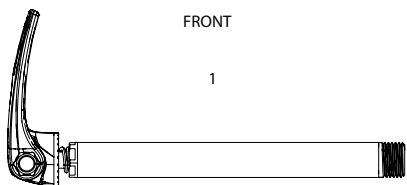


MAXLE

FRONT

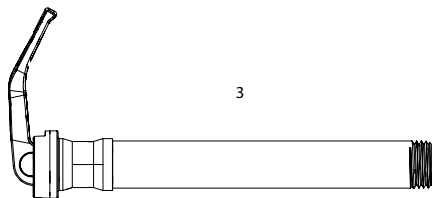
1

MAXLE ULTIMATE



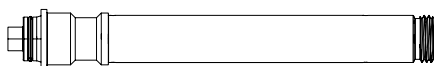
3

MAXLE LITE 20X110



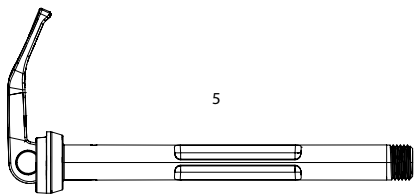
4

MAXLE DH



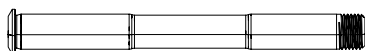
5

MAXLE LITE



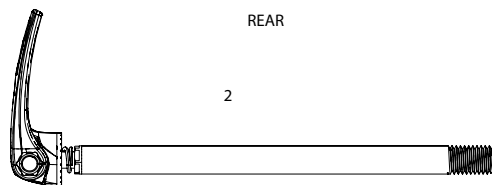
7

MAXLE STEALTH

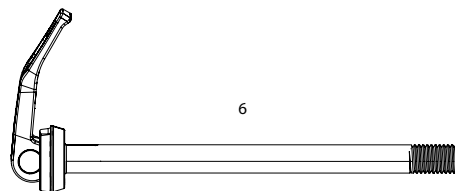


REAR

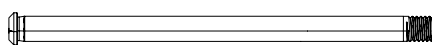
2



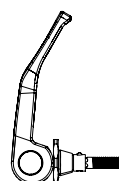
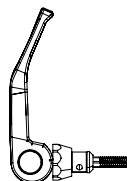
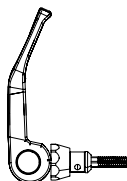
6



8

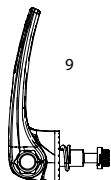


MAXLE LITE LEVER

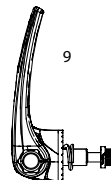


MAXLE ULTIMATE LEVER

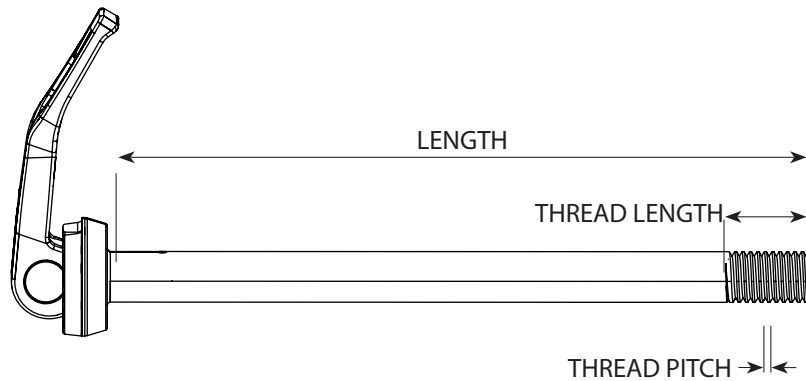
9



9



MAXLE



Note:

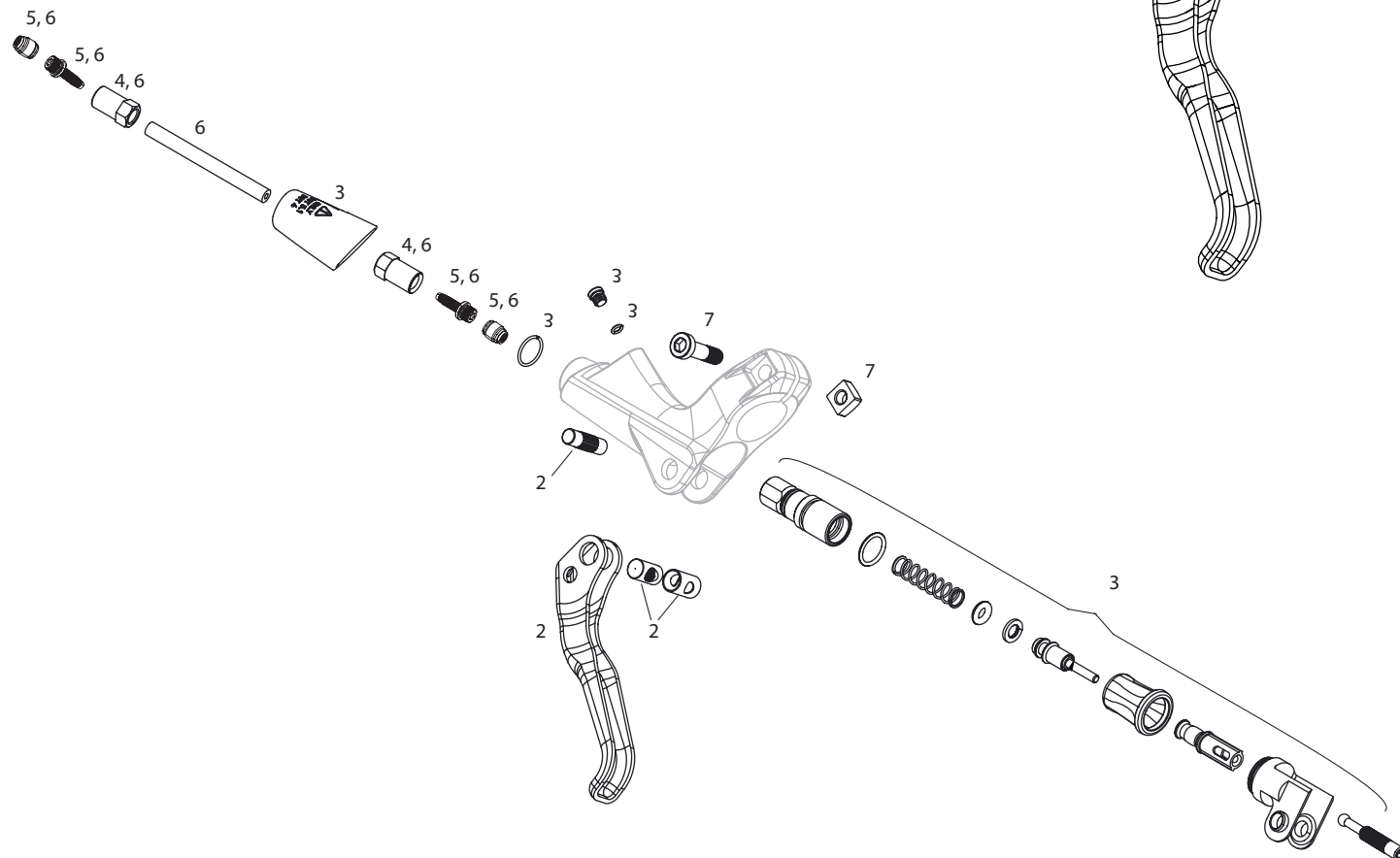
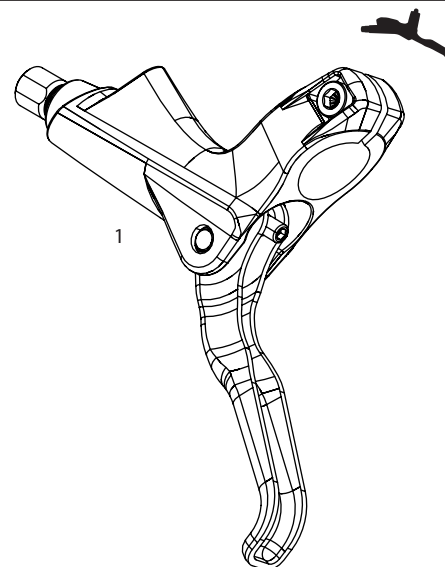
1. Rear Maxle requires compatible bicycle frame/drop-out.
2. Rear Maxle Lite or Ultimate lever and internals are NOT compatible with original Rear Maxle.

NO.	PART NUMBER	DESCRIPTION
1	00.4318.005.001	AXLE MAXLE ULTIMATE FRONT MTB, 15X100, LENGTH 148MM, THREAD LENGTH 9MM, THREAD PITCH M15X1.50 - PIKE, RS1, LYRIK B1, YARI
1	00.4318.005.007	AXLE MAXLE ULTIMATE FRONT MTB, 15X110, LENGTH 158MM, THREAD LENGTH 9MM, THREAD PITCH M15X1.50 - PIKE, LYRIK B1, YARI BOOST COMPATIBLE
1	00.4318.005.006	AXLE MAXLE ULTIMATE FRONT ROAD, 15X100, LENGTH 125MM, THREAD LENGTH 9MM, THREAD PITCH M15X1.50 - ROAD
1	00.4318.005.005	AXLE MAXLE ULTIMATE FRONT ROAD, 12X100, LENGTH 125MM, THREAD LENGTH 12MM, THREAD PITCH M12X1.50 - ROAD
2	00.4318.005.008	AXLE MAXLE ULTIMATE REAR MTB, 12X135, LENGTH 167MM, THREAD LENGTH 20MM, THREAD PITCH M12X1.75 - STANDARD
2	00.4318.005.009	AXLE MAXLE ULTIMATE REAR MTB, 12X142, LENGTH 174MM, THREAD LENGTH 20MM, THREAD PITCH M12X1.75 - STANDARD
2	00.4318.005.010	AXLE MAXLE ULTIMATE REAR MTB, 12X148, LENGTH 180MM, THREAD LENGTH 20MM, THREAD PITCH M12X1.75 - BOOST COMPATIBLE
2	00.4318.005.011	AXLE MAXLE ULTIMATE REAR MTB, 12X150, LENGTH 182MM, THREAD LENGTH 20MM, THREAD PITCH M12X1.75 - STANDARD
2	00.4318.005.012	AXLE MAXLE ULTIMATE REAR MTB, 12X148, LENGTH 188MM, THREAD LENGTH 20MM, THREAD PITCH M12X1.75 - BOOST COMPATIBLE
2	00.4318.005.013	AXLE MAXLE ULTIMATE REAR MTB, 12X142, LENGTH 195MM, THREAD LENGTH 20MM, THREAD PITCH M12X1.75 - SPLIT PIVOT CUSTOM
2	00.4318.005.014	AXLE MAXLE ULTIMATE REAR MTB, 12X177, LENGTH 217MM, THREAD LENGTH 20MM, THREAD PITCH M12X1.75 - FAT BIKE CUSTOM
2	00.4318.005.015	AXLE MAXLE ULTIMATE REAR MTB, 12X197, LENGTH 229MM, THREAD LENGTH 20MM, THREAD PITCH M12X1.50 - FAT BIKE CUSTOM
3	00.4315.013.010	AXLE MAXLE LITE FRONT MTB 20X110 LENGTH 158MM THREAD LENGTH 9MM THREAD PITCH M20X2.0 - 32MM CHASSIS (2011-2016)
3	00.4315.013.030	AXLE MAXLE LITE FRONT MTB 20X110 LENGTH 165MM THREAD LENGTH 9MM THREAD PITCH M20X2.0 - 35MM/40MM CHASSIS (2011-2016)
4	00.4315.013.040	AXLE MAXLE DH FRONT MTB 20X110 LENGTH 165MM THREAD LENGTH 9MM THREAD PITCH M20X2.0 - 35MM CHASSIS
5	00.4318.005.002	AXLE MAXLE LITE FRONT MTB, 15X100, LENGTH 148MM, THREAD LENGTH 9MM, THREAD PITCH M15X1.50 - SID/REBA/REVELATION/RECON/SEKTOR/XC32
5	00.4318.005.003	AXLE MAXLE LITE FRONT MTB, 15X150, LENGTH 198MM, THREAD LENGTH 9MM, THREAD PITCH M15X1.50 - BLUTO A1
5	00.4318.005.004	AXLE MAXLE LITE FRONT MTB, 15X110, LENGTH 158MM, THREAD LENGTH 9MM, THREAD PITCH M15X1.50 BOOST COMPATIBLE - SID/REBA
6	00.4315.015.020	AXLE MAXLE LITE REAR 12X142, LENGTH 174MM, THREAD LENGTH 20MM, THREAD PITCH M12X1.75 - STANDARD
6	00.4315.015.030	AXLE MAXLE LITE REAR 12X150, LENGTH 182MM, THREAD LENGTH 20MM, THREAD PITCH M12X1.75 - STANDARD
7	00.4318.005.016	AXLE MAXLE STEALTH FRONT ROAD, 12X100, LENGTH 125MM, THREAD LENGTH 12MM, THREAD PITCH M12X1.50 - ROAD
7	00.4318.005.017	AXLE MAXLE STEALTH FRONT ROAD, 15X100, LENGTH 125MM, THREAD LENGTH 9MM, THREAD PITCH M15X1.50 ROAD
7	00.4318.005.018	AXLE MAXLE STEALTH FRONT MTB, 15X100, LENGTH 148MM, THREAD LENGTH 9MM, THREAD PITCH M15X1.50 (NOT COMPATIBLE WITH RS-1) STANDARD
7	00.4318.005.019	AXLE MAXLE STEALTH FRONT MTB, 15X110, LENGTH 158MM, THREAD LENGTH 9MM, THREAD PITCH M15X1.50 - BOOST COMPATIBLE
7	00.4318.005.020	AXLE MAXLE STEALTH FRONT MTB, 15X150, LENGTH 198MM, THREAD LENGTH 9MM, THREAD PITCH M15X1.50 - BLUTO
8	00.4318.005.021	AXLE MAXLE STEALTH FRONT ROAD, 12X100, LENGTH 118.5MM, THREAD LENGTH 9MM, THREAD PITCH M12X1.5 - ROAD FORKS
8	00.4318.005.022	AXLE MAXLE STEALTH REAR MTB, 12X142, LENGTH 160MM, THREAD LENGTH 20MM, THREAD PITCH M12X1.5 - ROAD FRAMES
8	00.4318.005.023	AXLE MAXLE STEALTH REAR MTB, 12X142, LENGTH 164MM, THREAD LENGTH 10MM, THREAD PITCH M12X1.5 - STANDARD FRAMES
8	00.4318.005.024	AXLE MAXLE STEALTH REAR MTB, 12X142, LENGTH 167MM, THREAD LENGTH 20MM, THREAD PITCH M12X1.0 - SANTA CRUZ, SCOTT FRAMES
8	00.4318.005.025	AXLE MAXLE STEALTH REAR MTB, 12X148, LENGTH 170MM, THREAD LENGTH 10MM, THREAD PITCH M12X1.5 - BOOST E-THRU INTERFACE FRAMES
8	00.4318.005.026	AXLE MAXLE STEALTH REAR MTB, 12X142, LENGTH 170.5MM, THREAD LENGTH 14MM, THREAD PITCH M12X1.5 - GIANT FRAMES
8	00.4318.005.027	AXLE MAXLE STEALTH REAR MTB, 12X142, LENGTH 174MM, THREAD LENGTH 20MM, THREAD PITCH M12X1.75 - STANDARD FRAMES
8	00.4318.005.028	AXLE MAXLE STEALTH REAR MTB, 12X148, LENGTH 180MM, THREAD LENGTH 20MM, THREAD PITCH M12X1.75 - BOOST FRAMES
8	00.4318.005.029	AXLE MAXLE STEALTH REAR MTB, 12X148, LENGTH 188MM, THREAD LENGTH 20MM, THREAD PITCH M12X1.75 - BOOST SPLIT PIVOT FRAMES
8	00.4318.005.030	AXLE MAXLE STEALTH REAR MTB, 12X148, LENGTH 195MM, THREAD LENGTH 20MM, THREAD PITCH M12X1.75 - BOOST TREK ABP FRAMES
8	11.4318.004.001	AXLE MAXLE - LITE 15MM XC LEVER ASSEMBLY
9	11.4318.004.000	AXLE MAXLE - ULTIMATE LEVER ASSEMBLY B1



DB 1 - HYDRAULIC DISC BRAKE - LEVERS A1 (2015-2016)

DB-DB1-A1



Notes:

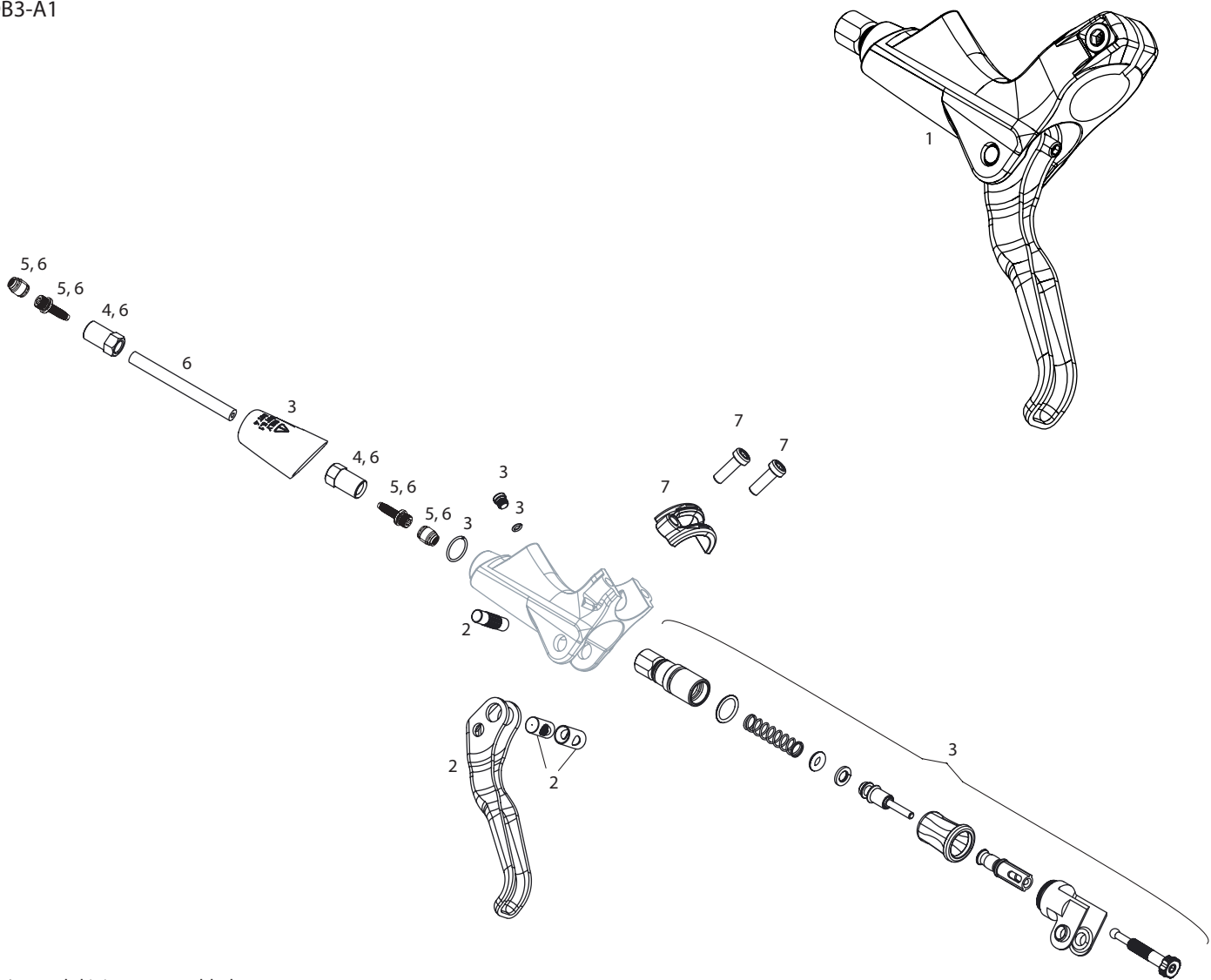
1. Lever Internals kit is pre-assembled

NO.	PART NUMBER	
LEVER SPARES		
1	11.5015.030.650	DISC BRAKE LEVER ASSEMBLY - ALUMINUM LEVER (ASSEMBLED, NO HOSE) BLACK - DB1
2	11.5018.003.007	DISC BRAKE LEVER BLADE KIT - ALUMINUM BLACK (INCLUDES BLADE,PIN & BUSHINGS) - DB1/DB3 A1
3	11.5018.005.002	DISC BRAKE LEVER INTERNALS/SERVICE KIT - (INCLUDES PISTON ASSEMBLY, BLADDER & SPRING) - DB1/DB3 A1
HYDRAULIC LINES & FITTING		
4	11.5309.766.000	DISC BRAKE COMPRESSION HOSE NUT - (QTY 5)
5	11.5378.803.004	DISC BRAKE HOSE FITTING KIT - (INCLUDES 1 THREADED HOSE BARB, 1 RED COMP FITTING) - AVID & SRAM BRAKES
6	00.5016.168.010	HYDRAULIC LINE KIT - CODE/CODE R/ELIXIR 3/ELIXIR 1/JUICY 3/DB 3/DB 1/LEVEL ULT/TLM B1 (2020+)/LEVEL T/LEVEL/GUIDE RE, 2000MM, BLACK, QTY 1
6	00.5016.168.020	HYDRAULIC LINE KIT - CODE/CODE R/ELIXIR 3/ELIXIR 1/JUICY 3/DB 3/DB 1/LEVEL ULT/TLM B1 (2020+)/LEVEL T/LEVEL/GUIDE RE, 2000MM, WHITE, QTY 1
LEVER CLAMPS		
7	11.5018.019.000	DISC BRAKE LEVER CLAMP BOLT KIT - (INCLUDES BOLT & SQUARE NUT) - DB1/LEVEL



DB 3 - HYDRAULIC DISC BRAKE - LEVERS A1 (2015-2016)

DB-DB3-A1



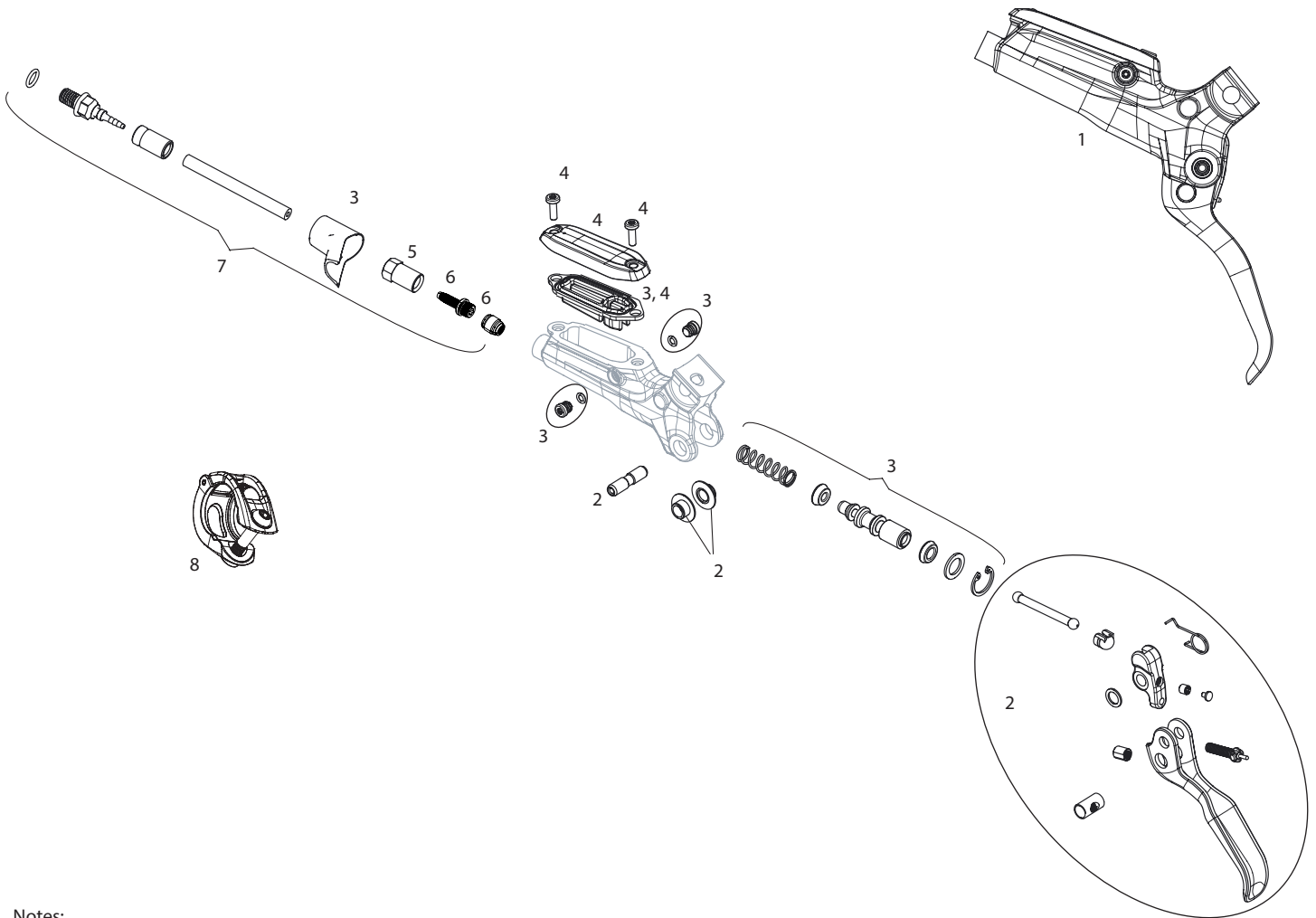
Notes:
1. Lever Internals kit is pre-assembled

LEVER SPARES		
NO.	PART NUMBER	
1	11.5015.030.610	DISC BRAKE LEVER ASSEMBLY - ALUMINUM LEVER (ASSEMBLED, NO HOSE) BLACK - DB3
2	11.5018.003.007	DISC BRAKE LEVER BLADE KIT - ALUMINUM BLACK (INCLUDES BLADE,PIN & BUSHINGS) - DB1/DB3 A1
3	11.5018.005.002	DISC BRAKE LEVER INTERNALS/SERVICE KIT - (INCLUDES PISTON ASSEMBLY, BLADDER & SPRING) - DB1/DB3 A1
HYDRAULIC LINES & FITTING		
NO.	PART NUMBER	
4	11.5309.766.000	DISC BRAKE COMPRESSION HOSE NUT - (QTY 5)
5	11.5378.803.004	DISC BRAKE HOSE FITTING KIT - (INCLUDES 1 THREADED HOSE BARB, 1 RED COMP FITTING) - AVID & SRAM BRAKES
6	00.5016.168.010	HYDRAULIC LINE KIT - CODE/CODE R/ELIXIR 3/ELIXIR 1/JUICY 3/DB 3/DB 1/LEVEL ULT/TLM B1 (2020+)/LEVEL T/LEVEL/GUIDE RE, 2000MM, BLACK, QTY 1
6	00.5016.168.020	HYDRAULIC LINE KIT - CODE/CODE R/ELIXIR 3/ELIXIR 1/JUICY 3/DB 3/DB 1/LEVEL ULT/TLM B1 (2020+)/LEVEL T/LEVEL/GUIDE RE, 2000MM, WHITE, QTY 1
LEVER CLAMPS		
NO.	PART NUMBER	
7	11.5015.029.030	DISC BRAKE LEVER CLAMP - SPLIT CLAMP BLACK (INCLUDES CLAMP & BOLTS) - ELIXIR 5/3,DB 3/1/LEVEL T



DB5 - HYDRAULIC DISC BRAKE - LEVERS A1 (2015-2016)

DB-DB5-A1



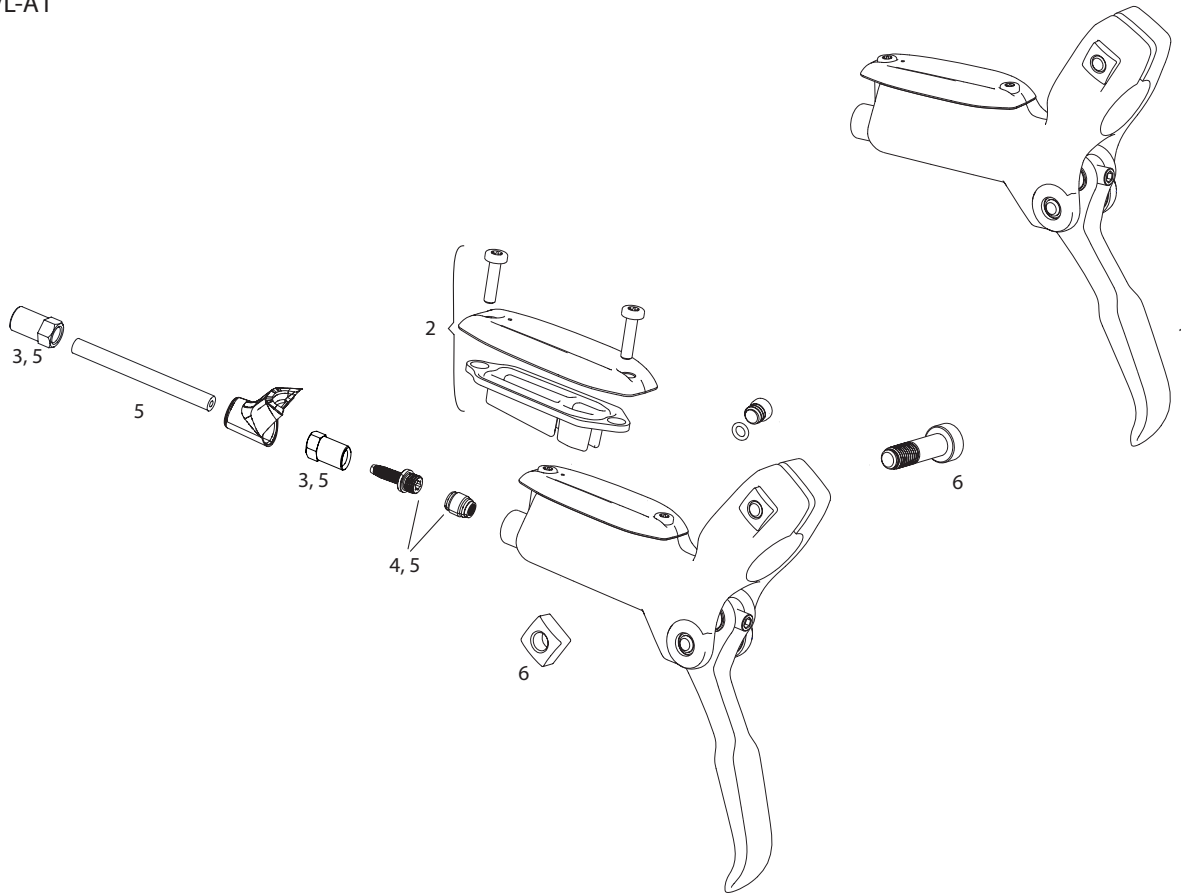
Notes:
1. Lever Internals kit is pre-assembled

NO.	PART NUMBER	
LEVER SPARES		
1	11.5018.046.010	DISC BRAKE LEVER ASSEMBLY - ALUMINUM LEVER (ASSEMBLED, NO HOSE, INCLUDES BARB & OLIVE) VERSION 2 BLACK - LEVEL TL (TOOLED, LIGHT)
2	11.5018.003.008	DISC BRAKE LEVER BLADE KIT - ALUMINUM BLACK (INCLUDES BLADE, PIN, REACH KNOB, CAM & BUSHINGS) - DB5
3	11.5018.005.008	DISC BRAKE LEVER INTERNALS/SERVICE KIT - (INCLUDES PISTON ASSEMBLY, BLADDER & SPRING) - VERSION 2 GUIDE R/RE/DB5/ CODE R/G2 R
4	11.5018.022.000	DISC BRAKE LEVER RESERVOIR CAP KIT - (INCLUDES RESERVOIR CAP, BLADDER & HARDWARE) - GUIDE R/RE/RS/RSC/ULTIMATE/DB5
HYDRAULIC LINES & FITTING		
PART NUMBER		
5	11.5309.766.000	DISC BRAKE COMPRESSION HOSE NUT - (QTY 5)
6	11.5378.803.004	DISC BRAKE HOSE FITTING KIT - (INCLUDES 1 THREADED HOSE BARB, 1 RED COMP FITTING) - AVID & SRAM BRAKES
7	00.5016.168.130	HYDRAULIC LINE KIT - G2/GUIDE RSC/GUIDE RS/GUIDE R/DB5/LEVEL TL, 2000MM, STAINLESS, BLACK, QTY 1
7	00.5016.168.140	HYDRAULIC LINE KIT - G2/GUIDE RSC/GUIDE RS/GUIDE R/DB5/LEVEL TL, 2000MM, STAINLESS, WHITE, QTY 1
LEVER CLAMPS		
PART NUMBER		
8	11.5315.048.050	DISC BRAKE LEVER CLAMP - (MMX) SILVER (STAINLESS STEEL BOLTT25) - G2 (A1), GUIDE (A1-B1), LEVEL ULT/TLM/TL, CODE RSC/R, DB5 ELIXIR 9/7/CR MAG/X0/ XX, QTY 1
8	11.5315.048.070	DISC BRAKE LEVER CLAMP - (MMX) BLACK (STAINLESS STEEL BOLT T25) - G2 (A1), GUIDE (A1-B1), LEVEL ULT/TLM/TL, CODE RSC/R, DB5 ELIXIR 9/7/CR MAG/X0/ XX, QTY 1
8	11.5315.048.080	DISC BRAKE LEVER CLAMP - (MMX) BLACK (TI BOLT T25) - G2 (A1), GUIDE (A1-B1), LEVEL ULT/TLM/TL, CODE RSC/R, DB5 ELIXIR9/7/ CR MAG/X0/ XX, QTY 1

LEVEL - HYDRAULIC DISC BRAKE - LEVERS A1 (2017-2020)



DB-LVL-A1



Notes:

- 1. Level lever replaces DB1
- 2. Level brakes use new threaded barb and olive with T8 Torx tool.

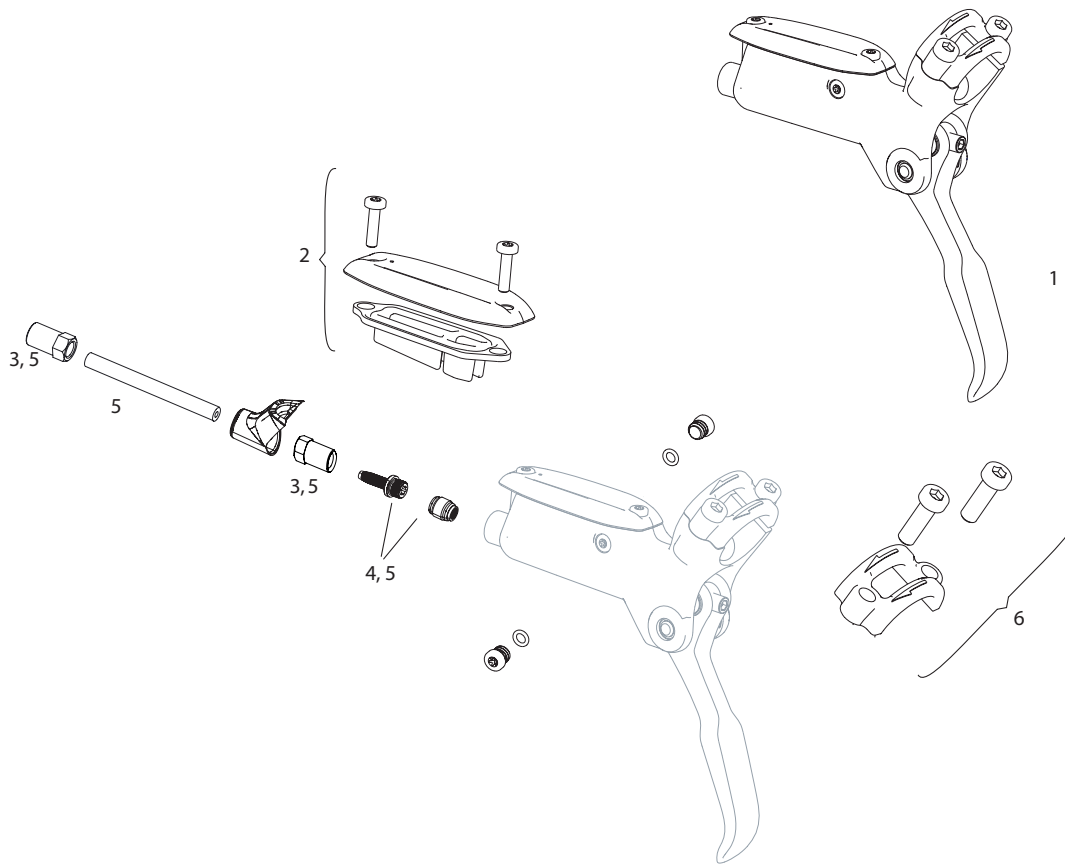
LEVER SPARES		
NO.	PART NUMBER	
1	11.5018.046.008	DISC BRAKE LEVER ASSEMBLY - ALUMINUM LEVER (ASSEMBLED, NO HOSE, INCLUDES BARB & OLIVE) VERSION 2 BLACK - LEVEL
2	11.5018.022.001	DISC BRAKE LEVER RESERVOIR CAP KIT - (INCLUDES RESERVOIR CAP, BLADDER & HARDWARE) - LEVEL ULTIMATE/TLM/TL/T/ LEVEL
HYDRAULIC LINES & FITTING		
NO.	PART NUMBER	
4	11.5378.803.004	DISC BRAKE HOSE FITTING KIT - (INCLUDES 1 THREADED HOSE BARB, 1 RED COMP FITTING) - AVID & SRAM BRAKES
5	00.5016.168.010	HYDRAULIC LINE KIT - CODE/CODE R/ELIXIR 3/ELIXIR 1/JUICY 3/DB 3/DB 1/LEVEL ULT/TLM B1 (2020+)/LEVEL T/LEVEL/GUIDE RE, 2000MM, BLACK, QTY 1
5	00.5016.168.020	HYDRAULIC LINE KIT - CODE/CODE R/ELIXIR 3/ELIXIR 1/JUICY 3/DB 3/DB 1/LEVEL ULT/TLM B1 (2020+)/LEVEL T/LEVEL/GUIDE RE, 2000MM, WHITE, QTY 1
LEVER CLAMPS		
NO.	PART NUMBER	
6	11.5018.019.000	DISC BRAKE LEVER CLAMP BOLT KIT - (INCLUDES BOLT & SQUARE NUT) - DB1/LEVEL



LEVEL T - HYDRAULIC DISC BRAKE - LEVERS A1 (2017-2020)



DB-LVL-T-A1



Notes:

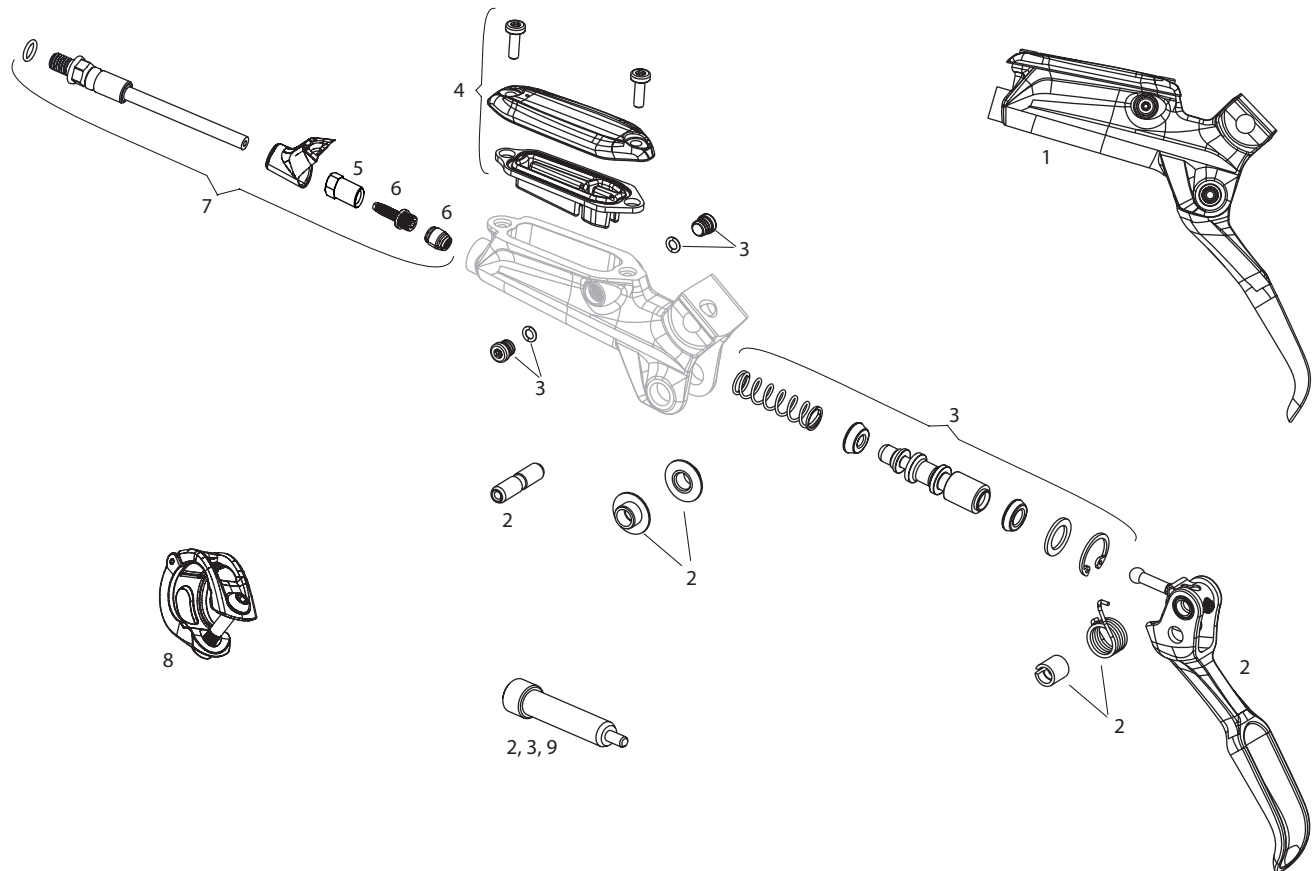
- 1. Level T lever replaces DB3
- 2. T is for Tooled reach adjust.
- 3. Level brakes use new threaded barb and olive with T8 Torx tool.

LEVER SPARES		
NO.	PART NUMBER	
1	11.5018.046.009	DISC BRAKE LEVER ASSEMBLY - ALUMINUM LEVER (ASSEMBLED, NO HOSE, INCLUDES BARB & OLIVE) VERSION 2 GLOSS BLACK - LEVEL T
2	11.5018.022.001	DISC BRAKE LEVER RESERVOIR CAP KIT - (INCLUDES RESERVOIR CAP, BLADDER & HARDWARE) - LEVEL ULTIMATE/TLM/TL/T/ LEVEL
HYDRAULIC LINES & FITTING		
NO.	PART NUMBER	
3	11.5309.766.000	DISC BRAKE COMPRESSION HOSE NUT - (QTY 5)
4	11.5378.803.004	DISC BRAKE HOSE FITTING KIT - (INCLUDES 1 THREADED HOSE BARB, 1 RED COMP FITTING) - AVID & SRAM BRAKES
5	00.5016.168.010	HYDRAULIC LINE KIT - CODE/CODE R/ELIXIR 3/ELIXIR 1/JUICY 3/DB 3/DB 1/LEVEL ULT/TLM B1 (2020+)/LEVEL T/LEVEL/GUIDE RE, 2000MM, BLACK, QTY 1
5	00.5016.168.020	HYDRAULIC LINE KIT - CODE/CODE R/ELIXIR 3/ELIXIR 1/JUICY 3/DB 3/DB 1/LEVEL ULT/TLM B1 (2020+)/LEVEL T/LEVEL/GUIDE RE, 2000MM, WHITE, QTY 1
LEVER CLAMPS		
NO.	PART NUMBER	
6	11.5015.029.030	DISC BRAKE LEVER CLAMP - SPLIT CLAMP BLACK (INCLUDES CLAMP & BOLTS) - ELIXIR 5/3, DB 3/1/LEVEL T
ns	00.5315.006.000	MATCHMAKER PAIR



LEVEL TL - HYDRAULIC DISC BRAKE - LEVERS A1 (2017-2020)

DB-LVL-TL-A1



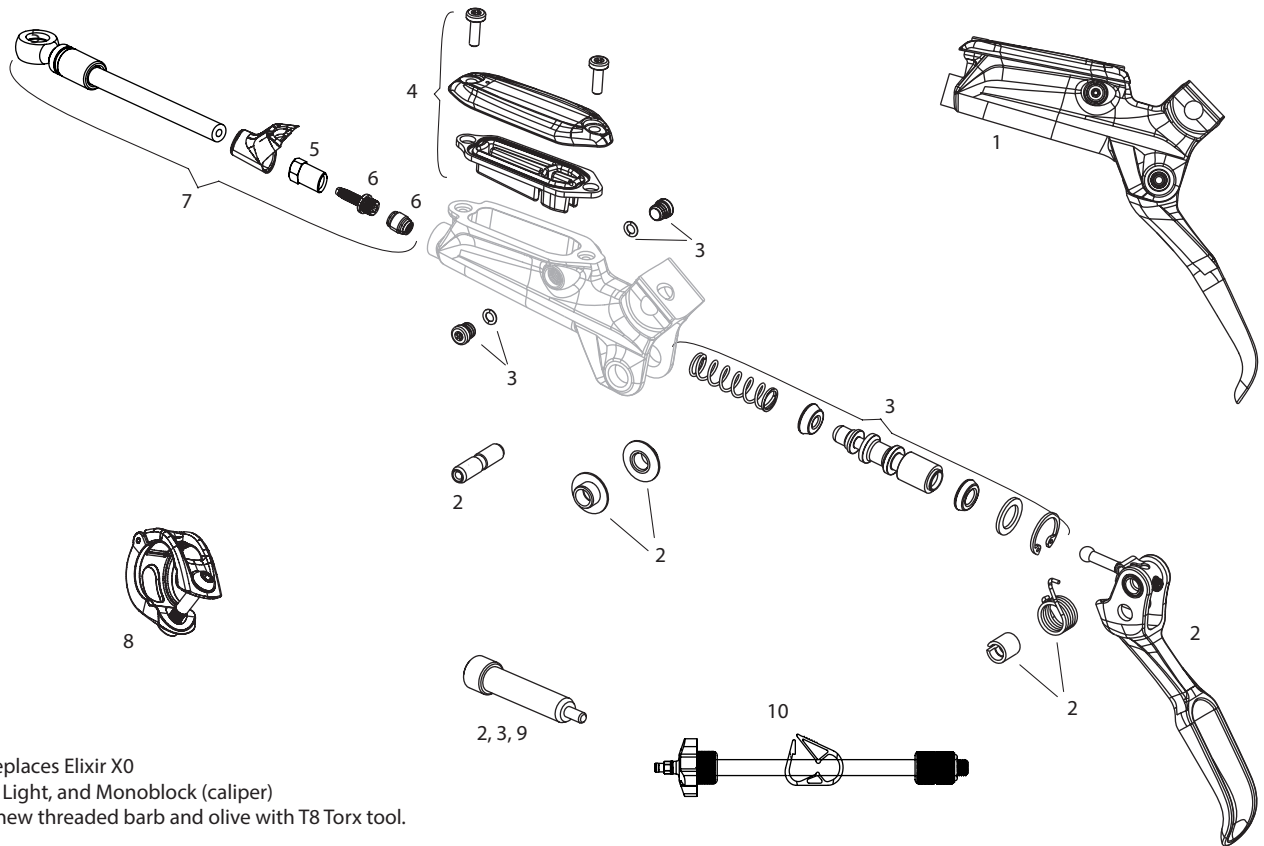
Notes:

- 1. Level TL lever replaces DB5
- 2. TL is for Tooled and Light
- 3. Level brakes use new threaded barb and olive with T8 Torx tool.

LEVER SPARES		
NO.	PART NUMBER	
1	11.5018.046.010	DISC BRAKE LEVER ASSEMBLY - ALUMINUM LEVER (ASSEMBLED, NO HOSE, INCLUDES BARB & OLIVE) VERSION 2 BLACK - LEVEL TL (TOOLED, LIGHT)
2	11.5018.003.018	DISC BRAKE LEVER BLADE KIT - ALUMINUM BLACK (INCLUDES BLADE, DOWEL, PUSHROD & BUSHINGS) - LEVEL TL
3	11.5018.005.011	DISC BRAKE LEVER INTERNALS/SERVICE KIT - (INCLUDES PISTON ASSEMBLY, BLADDER & SPRING) - VERSION 2 LEVEL ULTIMATE/TLM/TL
4	11.5018.022.001	DISC BRAKE LEVER RESERVOIR CAP KIT - (INCLUDES RESERVOIR CAP, BLADDER & HARDWARE) - LEVEL ULTIMATE/TLM/TL/T/ LEVEL
HYDRAULIC LINES & FITTING		
NO.	PART NUMBER	
5	11.5309.766.000	DISC BRAKE COMPRESSION HOSE NUT - (QTY 5)
6	11.5378.803.004	DISC BRAKE HOSE FITTING KIT - (INCLUDES 1 THREADED HOSE BARB, 1 RED COMP FITTING) - AVID & SRAM BRAKES
7	00.5016.168.130	HYDRAULIC LINE KIT - G2/GUIDE RSC/GUIDE RS/GUIDE R/DB5/LEVEL TL, 2000MM, STAINLESS, BLACK, QTY 1
7	00.5016.168.140	HYDRAULIC LINE KIT - G2/GUIDE RSC/GUIDE RS/GUIDE R/DB5/LEVEL TL, 2000MM, STAINLESS, WHITE, QTY 1
LEVER CLAMPS		
NO.	PART NUMBER	
8	11.5315.048.050	DISC BRAKE LEVER CLAMP - (MMX) SILVER (STAINLESS STEEL BOLT T25) - G2 (A1), GUIDE (A1-B1), LEVEL ULT/TLM/TL, CODE RSC/R, DB5 ELIXIR 9/7/CR MAG/X0/XX, QTY 1
8	11.5315.048.070	DISC BRAKE LEVER CLAMP - (MMX) BLACK (STAINLESS STEEL BOLT T25) - G2 (A1), GUIDE (A1-B1), LEVEL ULT/TLM/TL, CODE RSC/R, DB5 ELIXIR 9/7/CR MAG/X0/XX, QTY 1
8	11.5315.048.080	DISC BRAKE LEVER CLAMP - (MMX) BLACK (TI BOLT T25) - G2 (A1), GUIDE (A1-B1), LEVEL ULT/TLM/TL, CODE RSC/R, DB5 ELIXIR 9/7/CR MAG/X0/XX, QTY 1
TOOLS		
NO.	PART NUMBER	
9	00.5318.015.002	SRAM TOOL LEVER PIVOT TOOL (FOR LEVER REMOVAL & LEVER SERVICE) - LEVEL TLM/TL

LEVEL TLM - HYDRAULIC DISC BRAKE - LEVERS A1 (2017-2019)

DB-LVL-TLM-A1



Notes:

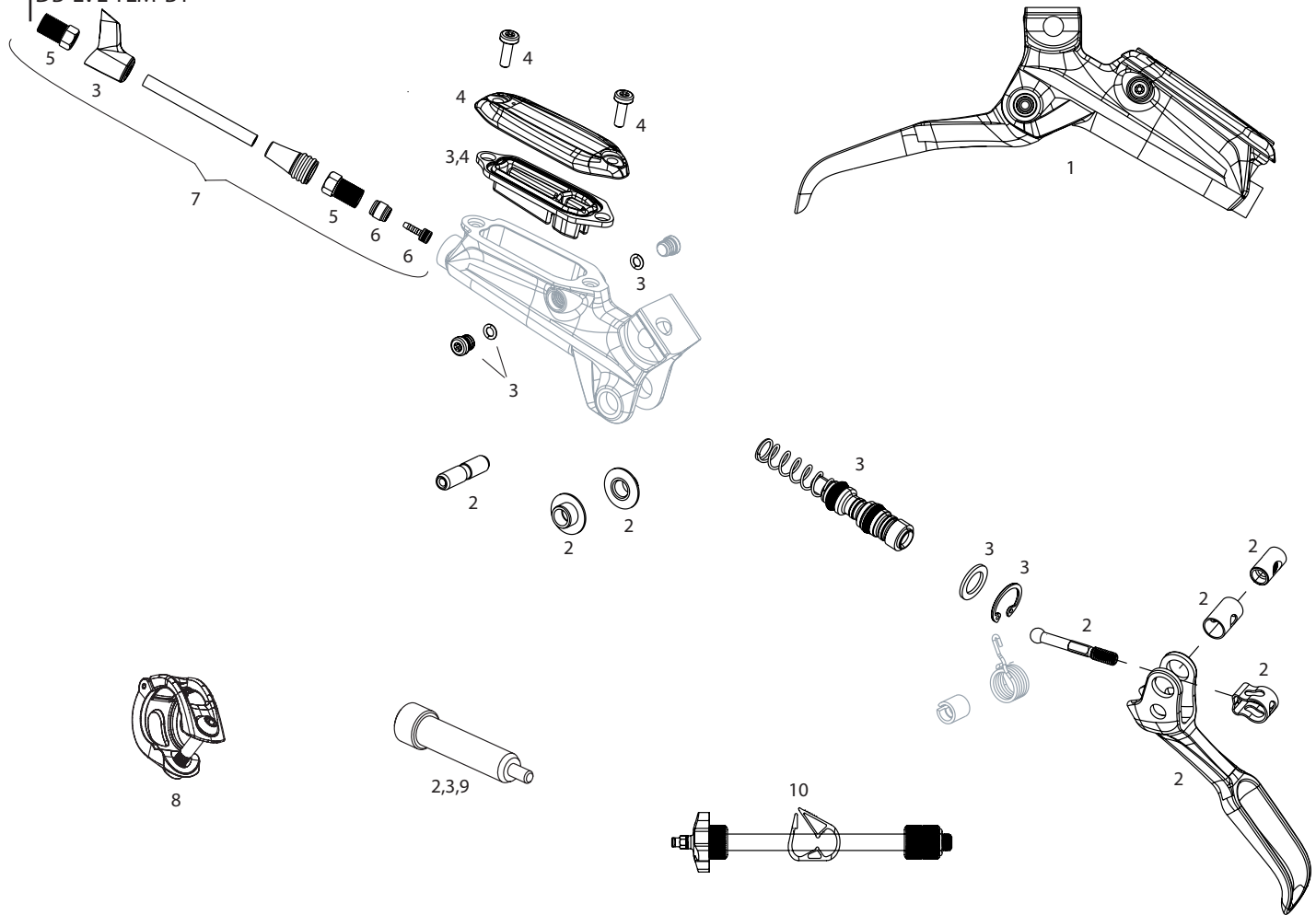
- 1. Level TLM lever replaces Elixir X0
- 2. TLM is for Tooled, Light, and Monoblock (caliper)
- 3. Level brakes use new threaded barb and olive with T8 Torx tool.

LEVER SPARES		
NO.	PART NUMBER	
1	11.5018.046.011	DISC BRAKE LEVER ASSEMBLY - ALUMINUM LEVER (ASSEMBLED, NO HOSE, INCLUDES BARB & OLIVE) VERSION 2 DARK GREY -LEVEL TLM (A1-B1)
2	11.5018.003.017	DISC BRAKE LEVER BLADE KIT - ALUMINUM BLACK (INCLUDES BLADE,DOWEL, PUSHROD & BUSHINGS) - LEVEL TLM
3	11.5018.005.011	DISC BRAKE LEVER INTERNALS/SERVICE KIT - (INCLUDES PISTON ASSEMBLY, BLADDER & SPRING) - VERSION 2 LEVEL ULTIMATE/TLM/TL
4	11.5018.022.001	DISC BRAKE LEVER RESERVOIR CAP KIT - (INCLUDES RESERVOIR CAP, BLADDER & HARDWARE) - LEVEL ULTIMATE/TLM/TL/T/LEVEL
HYDRAULIC LINES & FITTING		
NO.	PART NUMBER	
5	11.5309.766.000	DISC BRAKE COMPRESSION HOSE NUT - (QTY 5)
6	11.5378.803.004	DISC BRAKE HOSE FITTING KIT - (INCLUDES 1 THREADED HOSE BARB, 1 RED COMP FITTING) - AVID & SRAM BRAKES
7	00.5016.168.170	HYDRAULIC LINE KIT - MONOBLOCK, 2000MM, BLACK, QTY 1 - LEVEL ULTIMATE/LEVEL TLM (A1), CODE R/RSC B1 (2018+)
LEVER CLAMPS		
NO.	PART NUMBER	
8	11.5315.048.050	DISC BRAKE LEVER CLAMP - (MMX) SILVER (STAINLESS STEEL BOLTT25) - G2 (A1), GUIDE (A1-B1), LEVEL ULT/TLM/TL, CODE RSC/R, DB5 ELIXIR 9/7/CR MAG/X0/ XX, QTY 1
8	11.5315.048.070	DISC BRAKE LEVER CLAMP - (MMX) BLACK (STAINLESS STEEL BOLT T25) - G2 (A1), GUIDE (A1-B1),LEVEL ULT/TLM/TL, CODE RSC/R, DB5 ELIXIR 9/7/CR MAG/X0/ XX, QTY 1
8	11.5315.048.080	DISC BRAKE LEVER CLAMP - (MMX) BLACK (TI BOLT T25) - G2 (A1), GUIDE (A1-B1), LEVEL ULT/TLM/TL, CODE RSC/R,DB5 ELIXIR9/7/CR MAG/X0/ XX, QTY 1
TOOLS		
NO.	PART NUMBER	
9	00.5318.015.002	SRAM TOOL LEVER PIVOT TOOL (FOR LEVER REMOVAL & LEVER SERVICE) - LEVEL TLM/TL
10	00.5318.015.001	SRAM TOOL BLEEDING EDGE (WORKS WITH AVID/SRAM PRO BLEED KITS) -S4/MONOBLOCK CALIPERS, GUIDE ULTIMATE/RSC/RS/R (B1)/T (A1)/LEVEL ULT/ TLM (A1)/G2



LEVEL TLM - HYDRAULIC DISC BRAKE - LEVERS B1 (2020)

DB-LVL-TLM-B1

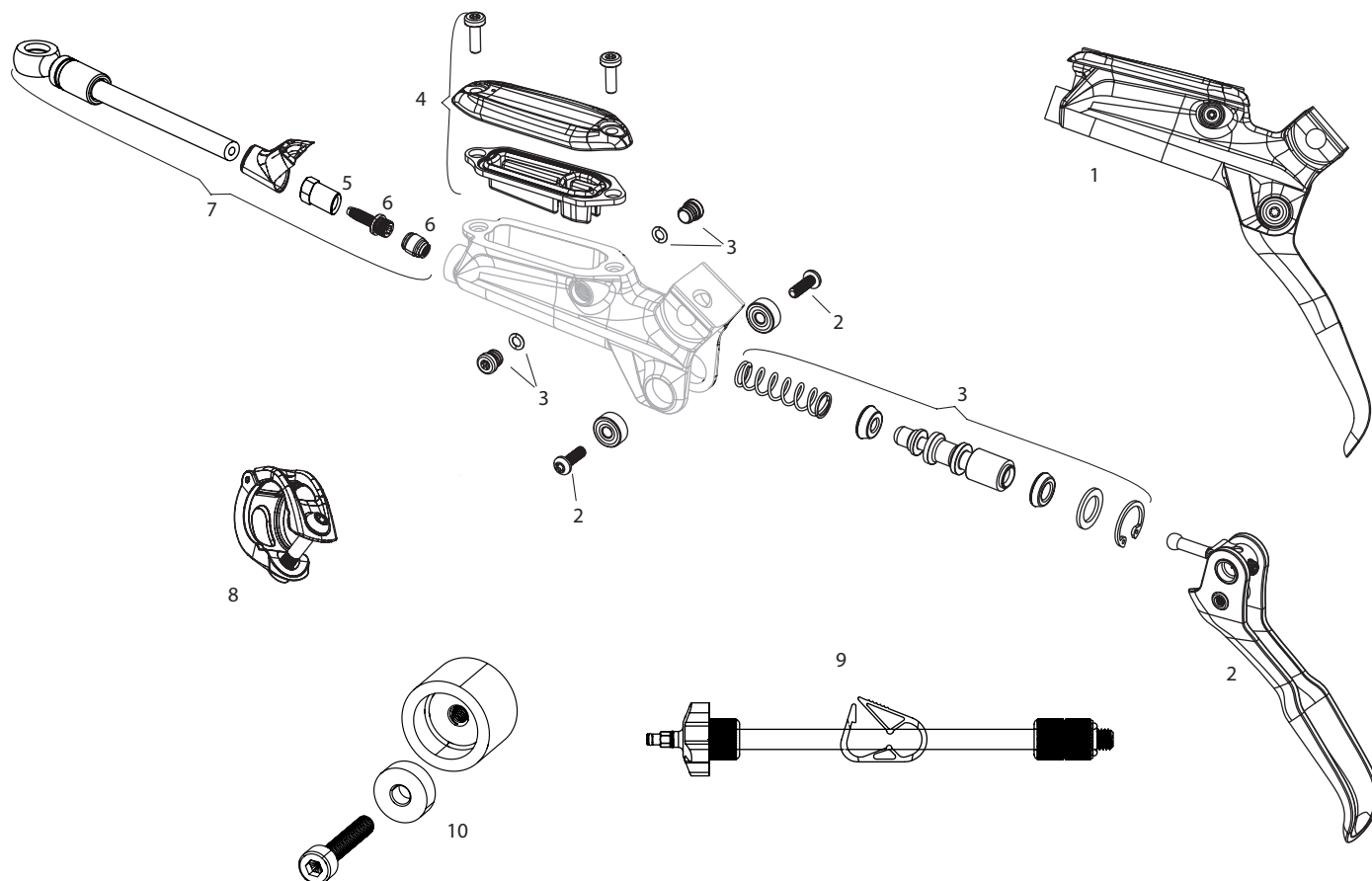


NO.	PART NUMBER	DESCRIPTION
LEVER SPARES		
1	11.5018.052.002	DISC BRAKE LEVER ASSEMBLY - ALUMINUM LEVER (ASSEMBLED, NO HOSE, INCLUDES BARB & OLIVE) LEVEL TLM B1
2	11.5018.003.017	DISC BRAKE LEVER BLADE KIT - ALUMINUM BLACK (INCLUDES BLADE, DOWEL, PUSHROD & BUSHINGS) - LEVEL TLM
3	11.5018.005.011	DISC BRAKE LEVER INTERNALS/SERVICE KIT - (INCLUDES PISTON ASSEMBLY, BLADDER & SPRING) - VERSION 2 LEVEL ULTIMATE/TLM/TL
4	11.5018.022.001	DISC BRAKE LEVER RESERVOIR CAP KIT - (INCLUDES RESERVOIR CAP, BLADDER & HARDWARE) - LEVEL ULTIMATE/TLM/TL/T/ LEVEL
HYDRAULIC LINES & FITTING		
5	11.5309.766.000	DISC BRAKE COMPRESSION HOSE NUT - (QTY 5)
6	11.5378.803.004	DISC BRAKE HOSE FITTING KIT - (INCLUDES 1 THREADED HOSE BARB, 1 RED COMP FITTING) - AVID & SRAM BRAKES
7	00.5016.168.010	HYDRAULIC LINE KIT - CODE/CODE R/ELIXIR 3/ELIXIR 1/JUICY 3/DB 3/DB 1/LEVEL ULT/TLM B1 (2020+)/LEVEL T/LEVEL/GUIDE RE/2000MM, BLACK, QTY 1
7	00.5016.168.020	HYDRAULIC LINE KIT - CODE/CODE R/ELIXIR 3/ELIXIR 1/JUICY 3/DB 3/DB 1/LEVEL ULT/TLM B1 (2020+)/LEVEL T/LEVEL/GUIDE RE/2000MM, WHITE, QTY 1
LEVER CLAMPS		
8	11.5315.048.050	DISC BRAKE LEVER CLAMP - (MMX) SILVER (STAINLESS STEEL BOLTT25) - G2 (A1), GUIDE (A1-B1), LEVEL ULT/TLM/TL, CODE RSC/R, DB5 ELIXIR 9/7/CR MAG/X0/ XX, QTY 1
8	11.5315.048.070	DISC BRAKE LEVER CLAMP - (MMX) BLACK (STAINLESS STEEL BOLT T25) - G2 (A1), GUIDE (A1-B1), LEVEL ULT/TLM/TL, CODE RSC/R, DB5 ELIXIR 9/7/CR MAG/X0/ XX, QTY 1
8	11.5315.048.080	DISC BRAKE LEVER CLAMP - (MMX) BLACK (TI BOLT T25) - G2 (A1), GUIDE (A1-B1), LEVEL ULT/TLM/TL, CODE RSC/R, DB5 ELIXIR 9/7/CR MAG/X0/ XX, QTY 1
TOOLS		
9	00.5318.015.002	SRAM TOOL LEVER PIVOT TOOL (FOR LEVER REMOVAL & LEVER SERVICE) - LEVEL TLM/TL
10	00.5318.015.001	SRAM TOOL BLEEDING EDGE (WORKS WITH AVID/SRAM PRO BLEED KITS) -S4/MONOBLOCK CALIPERS, GUIDE ULTIMATE/RSC/RS/R (B1)/T (A1)/LEVEL ULT/ TLM (A1)/G2



LEVEL ULTIMATE - HYDRAULIC DISC BRAKE - LEVERS A1 (2017-2019)

DB-LVL-ULT-A1



Notes:

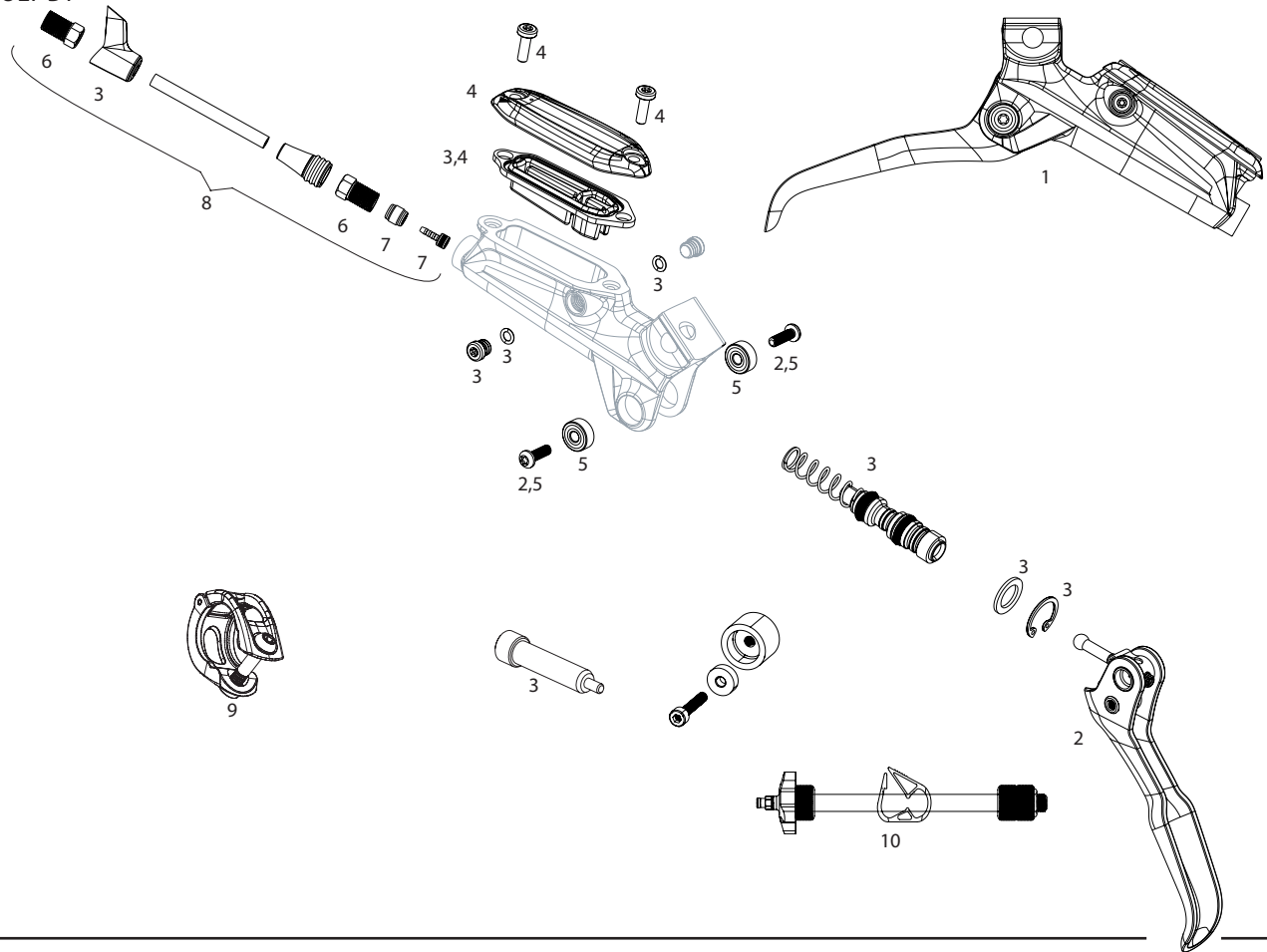
- 1. Level Ultimate lever replaces Elixir XX
- 2. Level brakes use new threaded barb and olive with T8 Torx tool.

LEVER SPARES		
NO.	PART NUMBER	
1	11.5018.046.012	DISC BRAKE LEVER ASSEMBLY - CARBON LEVER (ASSEMBLED, NO HOSE, INCLUDES BARB & OLIVE) VERSION 2 BLACK - LEVEL ULTIMATE A1-B1
1	11.5018.046.018	DISC BRAKE LEVER ASSEMBLY - CARBON LEVER (ASSEMBLED, NO HOSE, INCLUDES BARB & OLIVE) VERSION 2 BLACK/GOLD -LEVEL ULTIMATE
2	11.5018.003.016	DISC BRAKE LEVER BLADE KIT - CARBON BLACK (INCLUDES BLADE, DOWEL & PUSHROD) - LEVEL ULTIMATE
3	11.5018.005.011	DISC BRAKE LEVER INTERNALS/SERVICE KIT - (INCLUDES PISTON ASSEMBLY, BLADDER & SPRING) - VERSION 2 LEVEL ULTIMATE/TLM/TL
4	11.5018.022.001	DISC BRAKE LEVER RESERVOIR CAP KIT - (INCLUDES RESERVOIR CAP, BLADDER & HARDWARE) - LEVEL ULTIMATE/TLM/TL/T/ LEVEL
HYDRAULIC LINES & FITTING		
NO.	PART NUMBER	
5	11.5309.766.000	DISC BRAKE COMPRESSION HOSE NUT - (QTY 5)
6	11.5378.803.004	DISC BRAKE HOSE FITTING KIT - (INCLUDES 1 THREADED HOSE BARB, 1 RED COMP FITTING) - AVID & SRAM BRAKES
7	00.5016.168.170	HYDRAULIC LINE KIT - MONOBLOCK, 2000MM, BLACK, QTY 1 - LEVEL ULTIMATE/LEVEL TLM (A1), CODE R/RSC B1 (2018+)
LEVER CLAMPS		
NO.	PART NUMBER	
8	11.5315.048.050	DISC BRAKE LEVER CLAMP - (MMX) SILVER (STAINLESS STEEL BOLTT25) - G2 (A1), GUIDE (A1-B1), LEVEL ULT/TLM/TL, CODE RSC/R, DB5 ELIXIR 9/7/CR MAG/X0/ XX, QTY 1
8	11.5315.048.070	DISC BRAKE LEVER CLAMP - (MMX) BLACK (STAINLESS STEEL BOLT T25) - G2 (A1), GUIDE (A1-B1), LEVEL ULT/TLM/TL, CODE RSC/R, DB5 ELIXIR 9/7/CR MAG/X0/ XX, QTY 1
8	11.5315.048.080	DISC BRAKE LEVER CLAMP - (MMX) BLACK (TI BOLT T25) - G2 (A1), GUIDE (A1-B1), LEVEL ULT/TLM/TL, CODE RSC/R, DB5 ELIXIR9/7/ CR MAG/X0/ XX, QTY 1
TOOLS		
NO.	PART NUMBER	
9	00.5318.015.001	SRAM TOOL BLEEDING EDGE (WORKS WITH AVID/SRAM PRO BLEED KITS) -S4/MONOBLOCK CALIPERS, GUIDE ULTIMATE/RSC/RS/R(B1)/T (A1)/LEVEL ULT/ TLM (A1)/G2
10	00.5318.025.000	LEVER PIVOT BEARING PRESS TOOL- CODE RSC, XO TRAIL, LEVEL ULTIMATE, GUIDE ULTIMATE/RSC, G2 ULTIMATE

LEVEL ULTIMATE - HYDRAULIC DISC BRAKE - LEVERS B1 (2020)



DB-LVL-ULT-B1

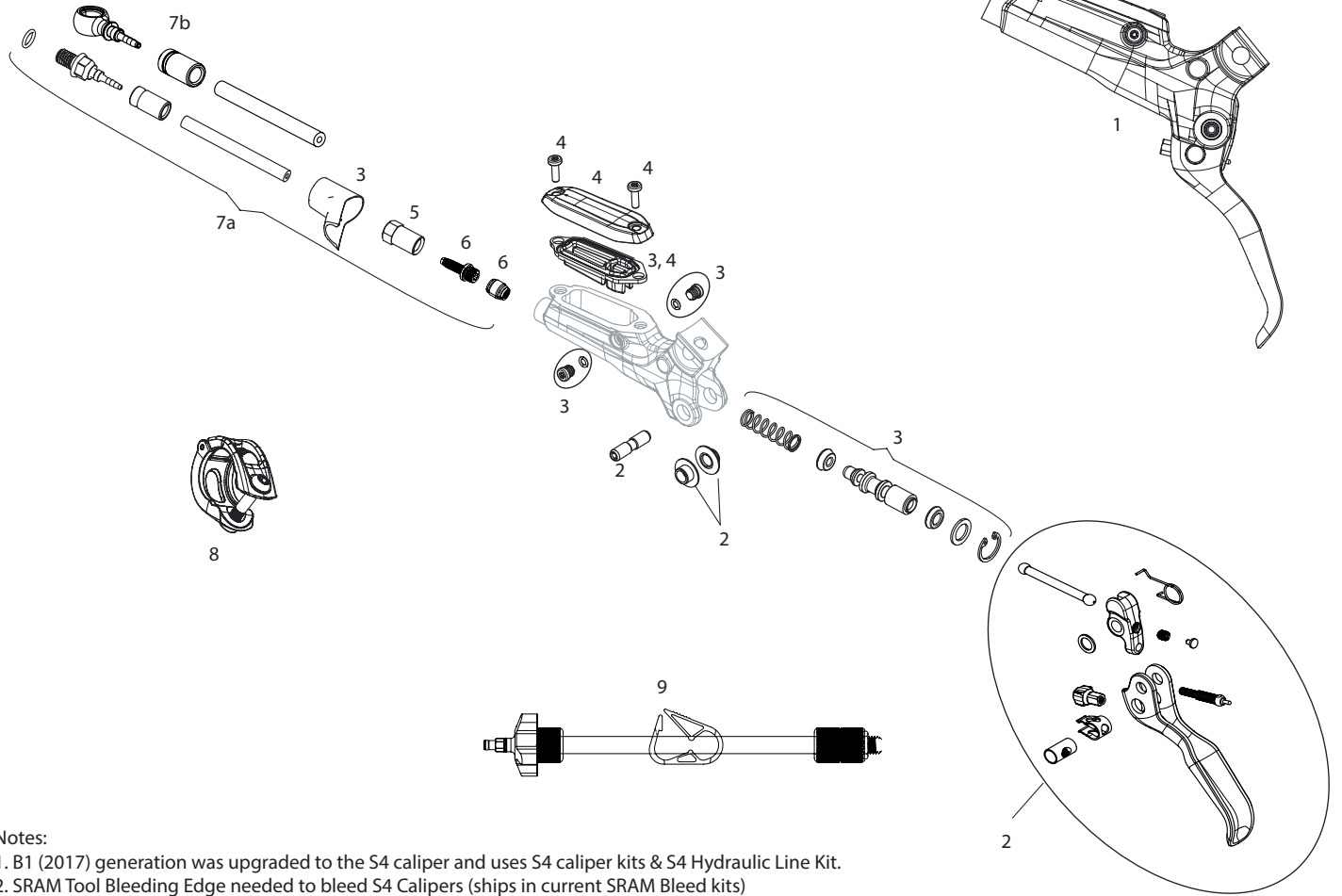


NO.	PART NUMBER	DESCRIPTION
LEVER SPARES		
1	11.5018.046.012	DISC BRAKE LEVER ASSEMBLY - CARBON LEVER (ASSEMBLED, NO HOSE, INCLUDES BARB & OLIVE) VERSION 2 BLACK - LEVEL ULTIMATE A1-B1
2	11.5018.003.016	DISC BRAKE LEVER BLADE KIT - CARBON BLACK (INCLUDES BLADE, DOWEL & PUSHROD) - LEVEL ULTIMATE
3	11.5018.005.011	DISC BRAKE LEVER INTERNALS/SERVICE KIT - (INCLUDES PISTON ASSEMBLY, BLADDER & SPRING) - VERSION 2 LEVEL ULTIMATE/TLM/TL
4	11.5018.022.001	DISC BRAKE LEVER RESERVOIR CAP KIT - (INCLUDES RESERVOIR CAP, BLADDER & HARDWARE) - LEVEL ULTIMATE/TLM/TL/T/ LEVEL
5	11.5018.023.000	DISC BRAKE LEVER BEARING KIT - (INCLUDES TWO 1/8X3/8X5/32 BEARINGS & HARDWARE) - GUIDE RSC/ULTIMATE/X0 TRAIL/CODE RSC/ LEVEL ULTIMATE/G2 ULTIMATE
HYDRAULIC LINES & FITTING		
6	11.5309.766.000	DISC BRAKE COMPRESSION HOSE NUT - (QTY 5)
7	11.5378.803.004	DISC BRAKE HOSE FITTING KIT - (INCLUDES 1 THREADED HOSE BARB, 1 RED COMP FITTING) - AVID & SRAM BRAKES
8	00.5016.168.010	HYDRAULIC LINE KIT - CODE/CODE R/ELIXIR 3/ELIXIR 1/JUICY 3/DB 3/DB 1/LEVEL ULT/TLM B1 (2020+)/LEVEL T/LEVEL/GUIDE RE/2000MM, BLACK, QTY 1
8	00.5016.168.020	HYDRAULIC LINE KIT - CODE/CODE R/ELIXIR 3/ELIXIR 1/JUICY 3/DB 3/DB 1/LEVEL ULT/TLM B1 (2020+)/LEVEL T/LEVEL/GUIDE RE/, 2000MM, WHITE, QTY 1
LEVER CLAMPS		
9	11.5315.048.050	DISC BRAKE LEVER CLAMP - (MMX) SILVER (STAINLESS STEEL BOLTT25) - G2 (A1), GUIDE (A1-B1), LEVEL ULT/TLM/TL,CODE RSC/R, DB5 ELIXIR 9/7/CR MAG/X0/ XX, QTY 1
9	11.5315.048.070	DISC BRAKE LEVER CLAMP - (MMX) BLACK (STAINLESS STEEL BOLT T25) - G2 (A1), GUIDE (A1-B1),LEVEL ULT/TLM/TL,CODE RSC/R, DB5 ELIXIR 9/7/CR MAG/X0/ XX, QTY 1
9	11.5315.048.080	DISC BRAKE LEVER CLAMP - (MMX) BLACK (TI BOLT T25) - G2 (A1), GUIDE (A1-B1), LEVEL ULT/TLM/TL, CODE RSC/R,DB5 ELIXIR9/7/CR MAG/X0/ XX, QTY 1
TOOLS		
10	00.5318.015.001	SRAM TOOL BLEEDING EDGE (WORKS WITH AVID/SRAM PRO BLEED KITS) -S4/MONOBLOCK CALIPERS, GUIDE ULTIMATE/RSC/RS/R (B1)/T (A1)/LEVEL ULT/ TLM (A1)/G2
11	00.5318.025.000	LEVER PIVOT BEARING PRESS TOOL- CODE RSC, XO TRAIL, LEVEL ULTIMATE, GUIDE ULTIMATE/RSC, G2 ULTIMATE



GUIDE R - HYDRAULIC DISC BRAKE - LEVERS A1-B1 (2015-2020)

DB-GDE-R-A1 / DB-GDE-R-B1



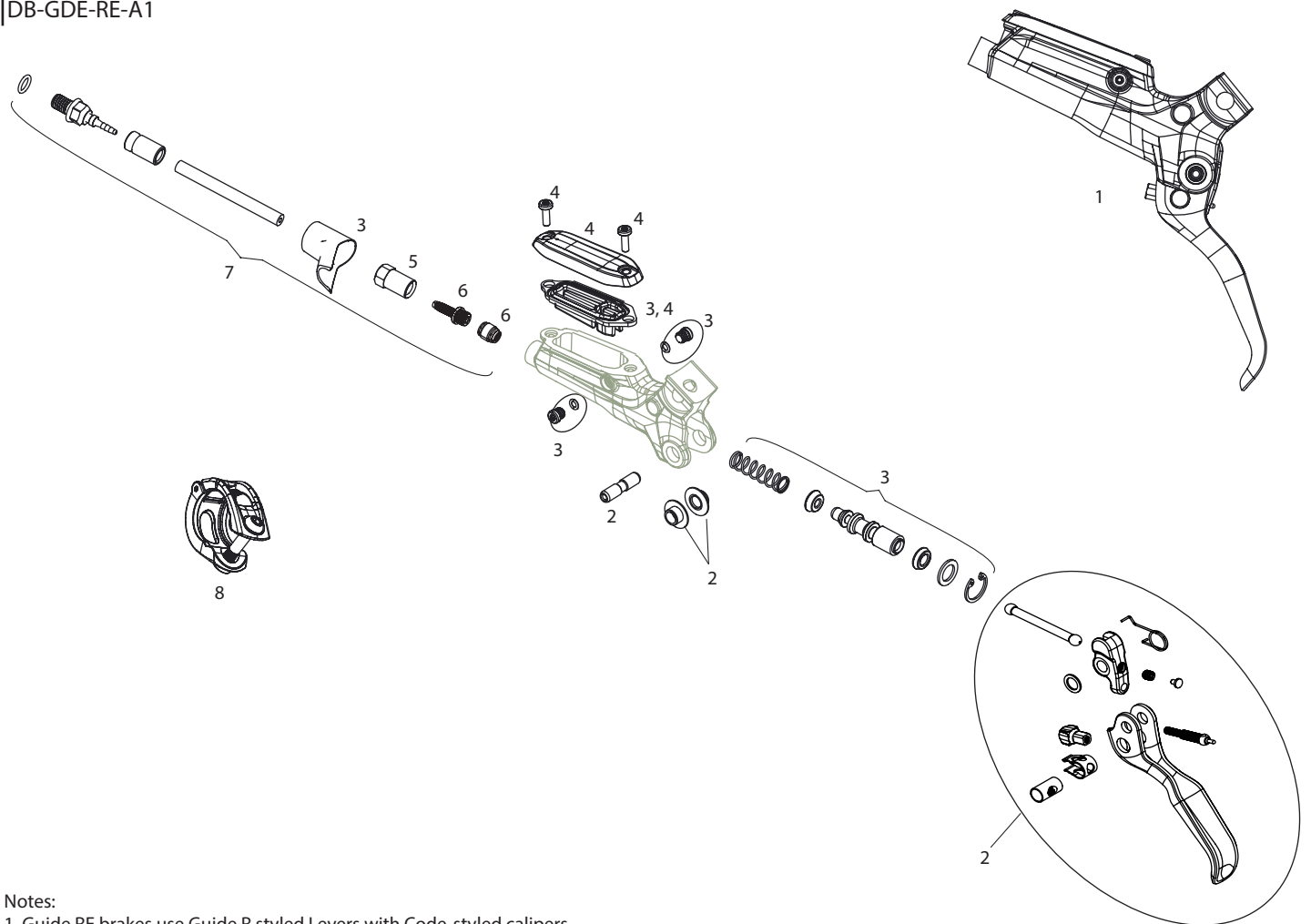
Notes:

- 1. B1 (2017) generation was upgraded to the S4 caliper and uses S4 caliper kits & S4 Hydraulic Line Kit.
- 2. SRAM Tool Bleeding Edge needed to bleed S4 Calipers (ships in current SRAM Bleed kits)

LEVER SPARES		
NO.	PART NUMBER	
1	11.5018.046.000	DISC BRAKE LEVER ASSEMBLY - ALUMINUM LEVER (ASSEMBLED, NO HOSE, INCLUDES BARB & OLIVE) VERSION 2 BLACK- GUIDE R
2	11.5018.003.012	DISC BRAKE LEVER BLADE KIT - ALUMINUM BLACK V2 (INCLUDES BLADE, PIN, REACH KNOB, CAM, PUSHROD & BUSHINGS) - GUIDE R/RE
3	11.5018.005.008	DISC BRAKE LEVER INTERNALS/SERVICE KIT - (INCLUDES PISTON ASSEMBLY, BLADDER & SPRING) - VERSION 2 GUIDE R/RE/DB5/ CODE R/G2 R
4	11.5018.022.000	DISC BRAKE LEVER RESERVOIR CAP KIT - (INCLUDES RESERVOIR CAP, BLADDER & HARDWARE) - GUIDE R/RE/RS/RSC/ULTIMATE/DB5
ns	11.5018.046.019	DISC BRAKE LEVER ASSEMBLY - ALUMINUM LEVER (ASSEMBLED, NO HOSE, INCLUDES BARB & OLIVE) VERSION 2 BLACK -GUIDE T (TOOLED)
ns	11.5018.036.019	DISC BRAKE LEVER PISTON KIT - (INCLUDES RETURN SPRING) VERSION 2 (QTY 6) - GUIDE R/RS, G2 R/RS
HYDRAULIC LINES & FITTING		
NO.	PART NUMBER	
5	11.5309.766.000	DISC BRAKE COMPRESSION HOSE NUT - (QTY 5)
6	11.5378.803.004	DISC BRAKE HOSE FITTING KIT - (INCLUDES 1 THREADED HOSE BARB, 1 RED COMP FITTING) - AVID & SRAM BRAKES
7a	00.5016.168.130	HYDRAULIC LINE KIT - G2/GUIDE RSC/GUIDE RS/GUIDE R/DB5/LEVEL TL, 2000MM, STAINLESS, BLACK, QTY 1
7a	00.5016.168.140	HYDRAULIC LINE KIT - G2/GUIDE RSC/GUIDE RS/GUIDE R/DB5/LEVEL TL, 2000MM, STAINLESS, WHITE, QTY 1
7b	00.5016.168.150	HYDRAULIC LINE KIT - S4 CALIPER - GUIDE ULTIMATE/GUIDE RSC (B1)/GUIDE RS(B1)/GUIDE R(B1)/GUIDE T(A1)/G2, 2000MM, BLACK, QTY 1
LEVER CLAMPS		
NO.	PART NUMBER	
8	11.5315.048.050	DISC BRAKE LEVER CLAMP - (MMX) SILVER (STAINLESS STEEL BOLT T25) - G2 (A1), GUIDE (A1-B1), LEVEL ULT/TLM/TL, CODE RSC/R, DB5 ELIXIR 9/7/CR MAG/X0/ XX, QTY 1
8	11.5315.048.070	DISC BRAKE LEVER CLAMP - (MMX) BLACK (STAINLESS STEEL BOLT T25) - G2 (A1), GUIDE (A1-B1), LEVEL ULT/TLM/TL, CODE RSC/R, DB5 ELIXIR 9/7/CR MAG/X0/ XX, QTY 1
8	11.5315.048.080	DISC BRAKE LEVER CLAMP - (MMX) BLACK (TI BOLT T25) - G2 (A1), GUIDE (A1-B1), LEVEL ULT/TLM/TL, CODE RSC/R, DB5 ELIXIR 9/7/CR MAG/ X0/ XX, QTY 1
TOOLS		
NO.	PART NUMBER	
9	00.5318.015.001	SRAM TOOL BLEEDING EDGE (WORKS WITH AVID/SRAM PRO BLEED KITS) -S4/MONOBLOCK CALIPERS, GUIDE ULTIMATE/RSC/RS/R (B1)/T (A1)/LEVEL ULT/ TLM (A1)/G2

GUIDE RE - HYDRAULIC DISC BRAKE - LEVERS A1 (2017-2020)

DB-GDE-RE-A1



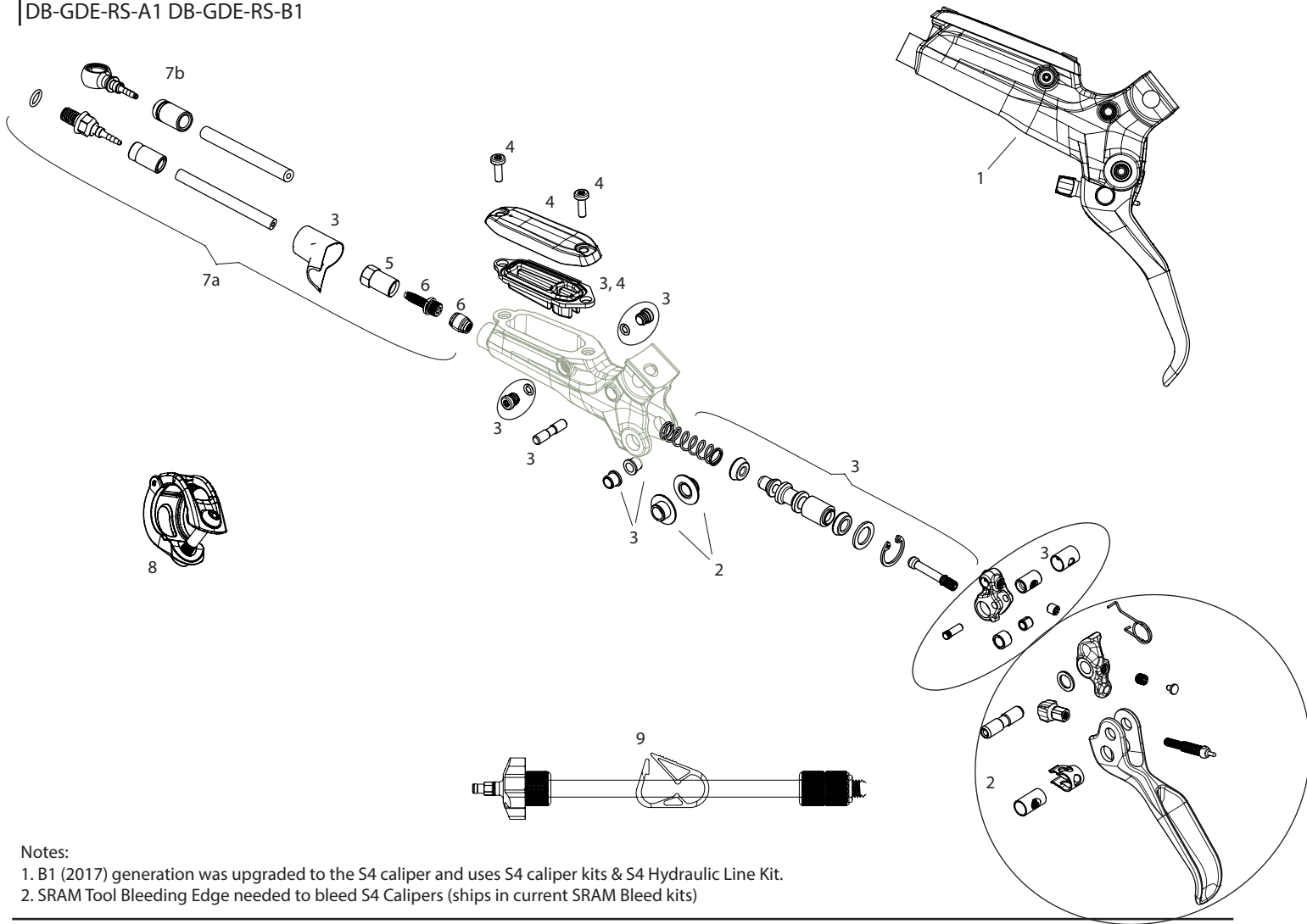
Notes:
1. Guide RE brakes use Guide R styled Levers with Code-styled calipers.

LEVER SPARES		
NO.	PART NUMBER	
1	11.5018.046.013	DISC BRAKE LEVER ASSEMBLY - ALUMINUM LEVER (ASSEMBLED, NO HOSE, INCLUDES BARB & OLIVE) VERSION 2 BLACK -GUIDE RE
2	11.5018.003.012	DISC BRAKE LEVER BLADE KIT - ALUMINUM BLACK V2 (INCLUDES BLADE, PIN, REACH KNOB, CAM, PUSHROD & BUSHINGS) - GUIDE R/RE
3	11.5018.005.008	DISC BRAKE LEVER INTERNALS/SERVICE KIT - (INCLUDES PISTON ASSEMBLY, BLADDER & SPRING) - V2 GUIDE R/RE/DB5/ CODE R/G2 R
4	11.5018.022.000	DISC BRAKE LEVER RESERVOIR CAP KIT - (INCLUDES RESERVOIR CAP, BLADDER & HARDWARE) - GUIDE R/RE/RS/RSC/ULTIMATE/DB5
HYDRAULIC LINES & FITTING		
NO.	PART NUMBER	
5	11.5309.766.000	DISC BRAKE COMPRESSION HOSE NUT - (QTY 5)
6	11.5378.803.004	DISC BRAKE HOSE FITTING KIT - (INCLUDES 1 THREADED HOSE BARB, 1 RED COMP FITTING) - AVID & SRAM BRAKES
7	00.5016.168.010	HYDRAULIC LINE KIT - CODE/CODE R/ELIXIR 3/ELIXIR 1/JUCY 3/DB 3/DB 1/LEVEL ULT/TLM B1 (2020+)/LEVEL T/LEVEL/GUIDE RE, 2000MM, BLACK, QTY 1
7	00.5016.168.020	HYDRAULIC LINE KIT - CODE/CODE R/ELIXIR 3/ELIXIR 1/JUCY 3/DB 3/DB 1/LEVEL ULT/TLM B1 (2020+)/LEVEL T/LEVEL/GUIDE RE, 2000MM, WHITE, QTY 1
LEVER CLAMPS		
NO.	PART NUMBER	
8	11.5315.048.050	DISC BRAKE LEVER CLAMP - (MMX) SILVER (STAINLESS STEEL BOLTT25) - G2 (A1), GUIDE (A1-B1), LEVEL ULT/TLM/TL, CODE RSC/R, DB5 ELIXIR 9/7/CR MAG/X0/ XX, QTY 1
8	11.5315.048.070	DISC BRAKE LEVER CLAMP - (MMX) BLACK (STAINLESS STEEL BOLT T25) - G2 (A1), GUIDE (A1-B1), LEVEL ULT/TLM/TL, CODE RSC/R, DB5 ELIXIR 9/7/CR MAG/X0/ XX, QTY 1
8	11.5315.048.080	DISC BRAKE LEVER CLAMP - (MMX) BLACK (TI BOLT T25) - G2 (A1), GUIDE (A1-B1), LEVEL ULT/TLM/TL, CODE RSC/R, DB5 ELIXIR 9/7/CR MAG/ X0/ XX, QTY 1



GUIDE RS - HYDRAULIC DISC BRAKE - LEVERS A1-B1 (2015-2019)

DB-GDE-RS-A1 DB-GDE-RS-B1



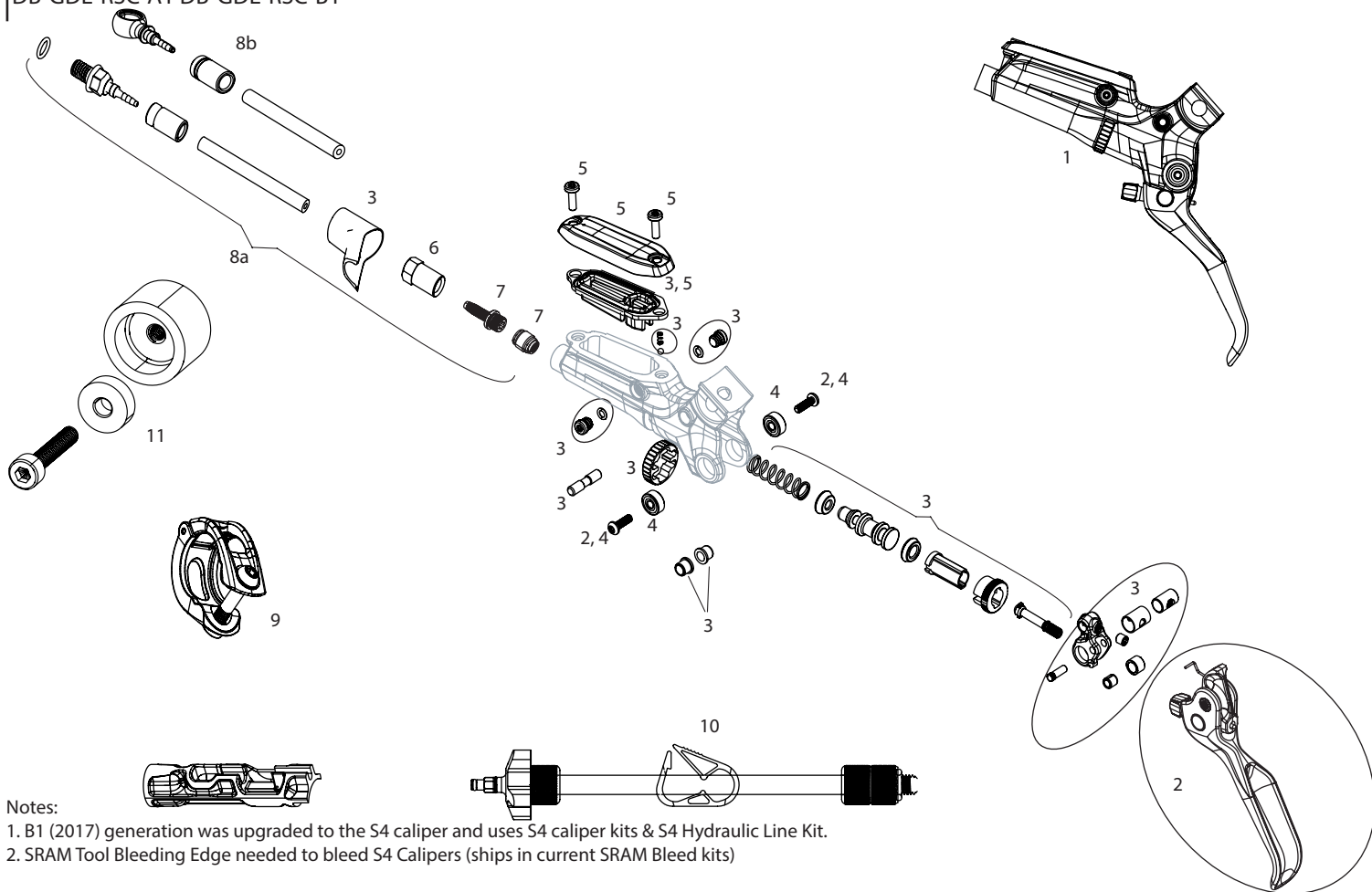
Notes:

- 1. B1 (2017) generation was upgraded to the S4 caliper and uses S4 caliper kits & S4 Hydraulic Line Kit.
- 2. SRAM Tool Bleeding Edge needed to bleed S4 Calipers (ships in current SRAM Bleed kits)

LEVER SPARES		
NO.	PART NUMBER	
1	11.5018.046.002	DISC BRAKE LEVER ASSEMBLY - ALUMINUM LEVER (ASSEMBLED, NO HOSE, INCLUDES BARB & OLIVE) VERSION 2 BLACK - GUIDE RS
2	11.5018.003.013	DISC BRAKE LEVER BLADE KIT - ALU BLACK V2 (INCLUDES BLADE, PIN, REACH KNOB, CAM, PUSHROD, SPRING & BUSHINGS) - GUIDE RS
3	11.5018.005.009	DISC BRAKE LEVER INTERNALS/SERVICE KIT - (INCLUDES PISTON ASSEMBLY, BLADDER & SPRING) - VERSION 2 GUIDE RS
4	11.5018.022.000	DISC BRAKE LEVER RESERVOIR CAP KIT - (INCLUDES RESERVOIR CAP, BLADDER & HARDWARE) - GUIDE R/RE/RS/RSC/ULTIMATE/DB5
ns	11.5018.036.019	DISC BRAKE LEVER PISTON KIT - (INCLUDES RETURN SPRING) VERSION 2 (QTY 6) - GUIDE R/RS, G2 R/RS
HYDRAULIC LINES & FITTING		
NO.	PART NUMBER	
5	11.5309.766.000	DISC BRAKE COMPRESSION HOSE NUT - (QTY 5)
6	11.5378.803.004	DISC BRAKE HOSE FITTING KIT - (INCLUDES 1 THREADED HOSE BARB, 1 RED COMP FITTING) - AVID & SRAM BRAKES
7a	00.5016.168.130	HYDRAULIC LINE KIT - G2/GUIDE RSC/GUIDE RS/GUIDE R/DB5/LEVEL TL, 2000MM, STAINLESS, BLACK, QTY 1
7a	00.5016.168.140	HYDRAULIC LINE KIT - G2/GUIDE RSC/GUIDE RS/GUIDE R/DB5/LEVEL TL, 2000MM, STAINLESS, WHITE, QTY 1
7b	00.5016.168.150	HYDRAULIC LINE KIT - S4 CALIPER - GUIDE ULTIMATE/GUIDE RSC (B1)/GUIDE RS(B1)/GUIDE R(B1)/GUIDE T(A1)/G2, 2000MM, BLACK, QTY 1
LEVER CLAMPS		
NO.	PART NUMBER	
8	11.5315.048.050	DISC BRAKE LEVER CLAMP - (MMX) SILVER (STAINLESS STEEL BOLT T25) - G2 (A1), GUIDE (A1-B1), LEVEL ULT/TLM/TL, CODE RSC/R, DB5 ELIXIR 9/7/CR MAG/X0/ XX, QTY 1
8	11.5315.048.070	DISC BRAKE LEVER CLAMP - (MMX) BLACK (STAINLESS STEEL BOLT T25) - G2 (A1), GUIDE (A1-B1), LEVEL ULT/TLM/TL, CODE RSC/R, DB5 ELIXIR 9/7/CR MAG/X0/ XX, QTY 1
8	11.5315.048.080	DISC BRAKE LEVER CLAMP - (MMX) BLACK (TI BOLT T25) - G2 (A1), GUIDE (A1-B1), LEVEL ULT/TLM/TL, CODE RSC/R, DB5 ELIXIR 9/7/CR MAG/X0/ XX, QTY 1
TOOLS		
NO.	PART NUMBER	
9	00.5318.015.001	SRAM TOOL BLEEDING EDGE (WORKS WITH AVID/SRAM PRO BLEED KITS) -S4/MONOBLOCK CALIPERS, GUIDE ULTIMATE/RSC/RS/R (B1)/T (A1)/LEVEL ULT/ TLM (A1)/G2

GUIDE RSC - HYDRAULIC DISC BRAKE - LEVERS A1-B1 (2015-2019)

DB-GDE-RSC-A1 DB-GDE-RSC-B1



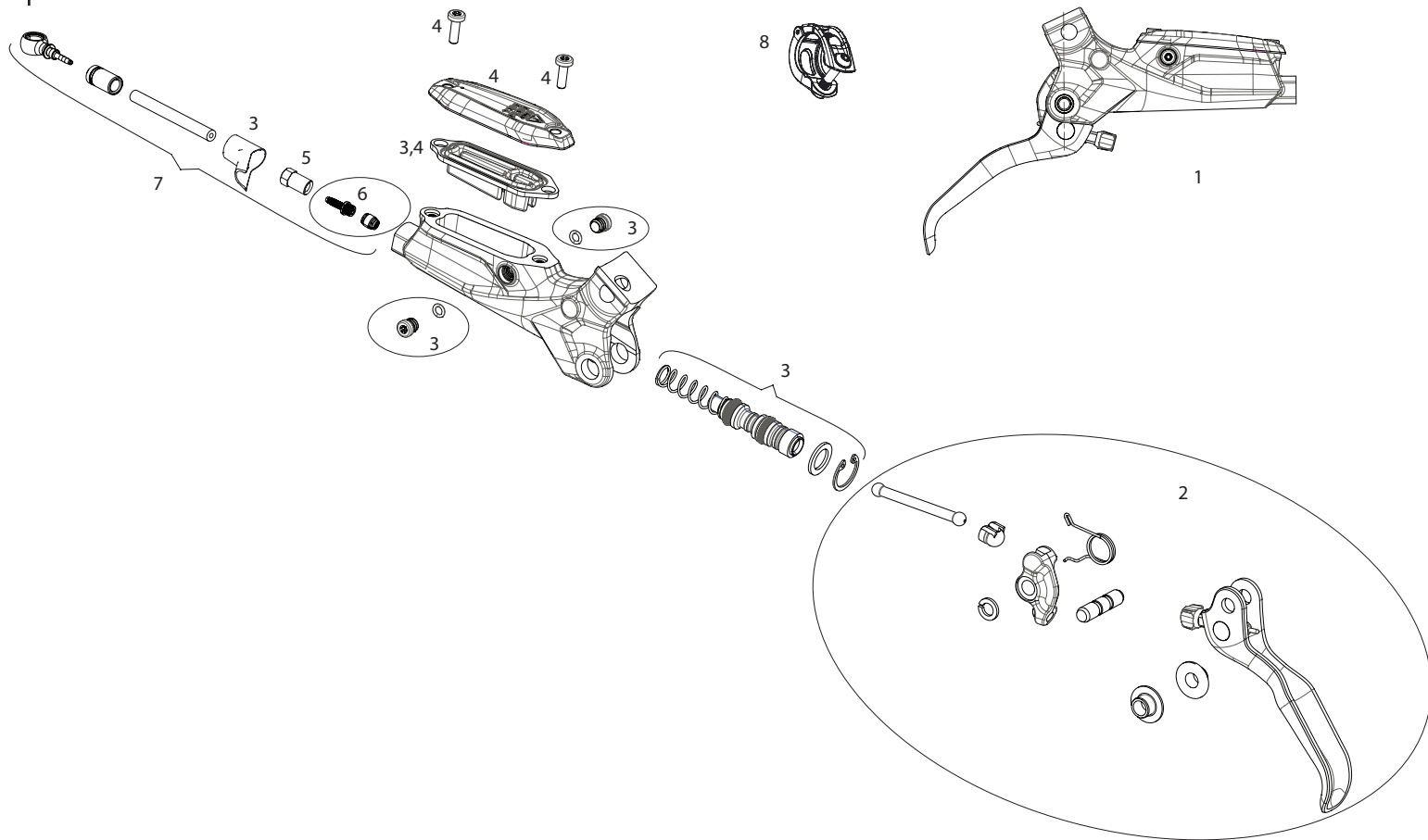
Notes:

- 1. B1 (2017) generation was upgraded to the S4 caliper and uses S4 caliper kits & S4 Hydraulic Line Kit.
- 2. SRAM Tool Bleeding Edge needed to bleed S4 Calipers (ships in current SRAM Bleed kits)

LEVER SPARES		
NO.	PART NUMBER	
1	11.5018.046.004	DISC BRAKE LEVER ASSEMBLY - ALUMINUM LEVER (ASSEMBLED, NO HOSE, INCLUDES BARB & OLIVE) VERSION 2 BLACK -GUIDE RSC
1	11.5018.046.005	DISC BRAKE LEVER ASSEMBLY - ALUMINUM LEVER (ASSEMBLED, NO HOSE, INCLUDES BARB & OLIVE) VERSION 2 SILVER -GUIDE RSC
2	11.5018.003.014	DISC BRAKE LEVER BLADE KIT - ALUMINUM BLACK V2 (INCLUDES BLADE, PIN, REACH KNOB, CAM, PUSHROD, SPRING & BUSHINGS) - GUIDE RSC/CODE RSC
3	11.5018.005.010	DISC BRAKE LEVER INTERNALS/SERVICE KIT - (INCLUDES PISTON ASSEMBLY, BLADDER & SPRING) - VERSION 2 GUIDE RSC/ULTIMATE/CODE RSC
4	11.5018.023.000	DISC BRAKE LEVER BEARING KIT - (INCLUDES TWO 1/8X3/8X5/32 BEARINGS & HARDWARE) - GUIDE RSC/ULTIMATE/X0 TRAIL/CODE RSC/LEVEL ULTIMATE/G2 ULTIMATE
5	11.5018.022.000	DISC BRAKE LEVER RESERVOIR CAP KIT - (INCLUDES RESERVOIR CAP, BLADDER & HARDWARE) - GUIDE R/R/RS/RSC/ULTIMATE/DB5
ns		DISC BRAKE LEVER PISTON KIT - (INCLUDES RETURN SPRING) VERSION 2 (QTY 6) - GUIDE RSC/ULTIMATE, G2 ULT (A1)
HYDRAULIC LINES & FITTING		
NO.	PART NUMBER	
6	11.5309.766.000	DISC BRAKE COMPRESSION HOSE NUT - (QTY 5)
7	11.5378.803.004	DISC BRAKE HOSE FITTING KIT - (INCLUDES 1 THREADED HOSE BARB, 1 RED COMP FITTING) - AVID & SRAM BRAKES
8a	00.5016.168.130	HYDRAULIC LINE KIT - G2/GUIDE RSC/GUIDE RS/GUIDE R/DB5/LEVEL TL, 2000MM, STAINLESS, BLACK, QTY 1
8a	00.5016.168.140	HYDRAULIC LINE KIT - G2/GUIDE RSC/GUIDE RS/GUIDE R/DB5/LEVEL TL, 2000MM, STAINLESS, WHITE, QTY 1
8b	00.5016.168.150	HYDRAULIC LINE KIT - S4 CALIPER - GUIDE ULTIMATE/GUIDE RSC (B1)/GUIDE RS(B1)/GUIDE R(B1)/GUIDE T(A1)/G2, 2000MM, BLACK, QTY 1
LEVER CLAMPS		
NO.	PART NUMBER	
9	11.5315.048.050	DISC BRAKE LEVER CLAMP - (MMX) SILVER (STAINLESS STEEL BOLT T25) - G2 (A1), GUIDE (A1-B1), LEVEL ULT/TLM/TL, CODE RSC/R, DB5 ELIXIR 9/7/CR MAG/X0/ XX, QTY 1
9	11.5315.048.070	DISC BRAKE LEVER CLAMP - (MMX) BLACK (STAINLESS STEEL BOLT T25) - G2 (A1), GUIDE (A1-B1), LEVEL ULT/TLM/TL, CODE RSC/R, DB5 ELIXIR 9/7/CR MAG/X0/ XX, QTY 1
9	11.5315.048.080	DISC BRAKE LEVER CLAMP - (MMX) BLACK (TI BOLT T25) - G2 (A1), GUIDE (A1-B1), LEVEL ULT/TLM/TL, CODE RSC/R, DB5 ELIXIR9/7/CR MAG/X0/ XX, QTY 1
TOOLS		
NO.	PART NUMBER	
10	00.5318.015.001	SRAM TOOL BLEEDING EDGE (WORKS WITH AVID/SRAM PRO BLEED KITS) -S4/MONOBLOCK CALIPERS, GUIDE ULTIMATE/RSC/RS/R(B1)/T (A1)/LEVEL ULT/ TLM (A1)/G2
11	00.5318.025.000	LEVER PIVOT BEARING PRESS TOOL- CODE RSC, XO TRAIL, LEVEL ULTIMATE, GUIDE ULTIMATE/RSC, G2 ULTIMATE

G2 R - HYDRAULIC DISC BRAKE

DB-G2-R-A1



LEVER SPARES

NO.	Part Number	Description
1	11.5018.052.003	DISC BRAKE LEVER ASSEMBLY - ALUMINUM LEVER (ASSEMBLED, NO HOSE, INCLUDES BARB & OLIVE) GLOSS BLACK- G2 R
2	11.5018.053.003	DISC BRAKE LEVER BLADE KIT - ALUMINUM GLOSS BLACK (INCLUDES BLADE, PIN, REACH KNOB, CAM, PUSHROD & BUSHINGS) - G2 R
3	11.5018.005.008	DISC BRAKE LEVER INTERNALS/SERVICE KIT - (INCLUDES PISTON ASSEMBLY, BLADDER & SPRING) - VERSION 2 GUIDE R/RE/DB5/ CODE R/G2 R
4	11.5018.055.000	DISC BRAKE LEVER RESERVOIR CAP KIT - (INCLUDES RESERVOIR CAP, BLADDER & HARDWARE) - G2 R/RS/RSC/ULTIMATE
ns	11.5018.036.019	DISC BRAKE LEVER PISTON KIT - (INCLUDES RETURN SPRING) VERSION 2 (QTY 6) - GUIDE R/RS, G2 R/RS

HYDRAULIC LINES & FITTING

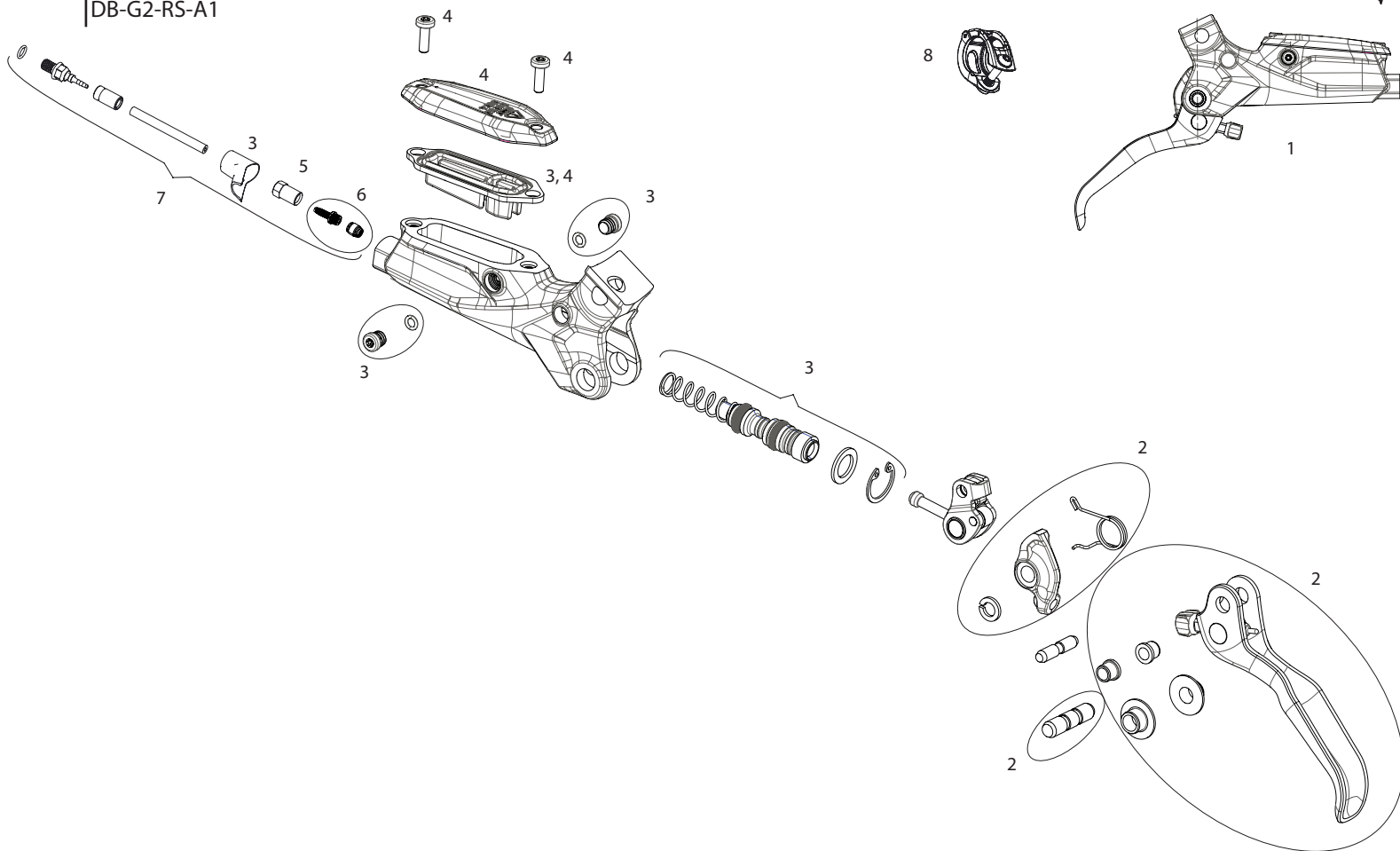
NO.	Part Number	Description
5	11.5309.766.000	DISC BRAKE COMPRESSION HOSE NUT - (QTY 5)
6	11.5378.803.004	DISC BRAKE HOSE FITTING KIT - (INCLUDES 1 THREADED HOSE BARB, 1 RED COMP FITTING) - AVID & SRAM BRAKES
7	00.5016.168.150	HYDRAULIC LINE KIT - S4 CALIPER - GUIDE ULTIMATE/GUIDE RSC (B1)/GUIDE RS(B1)/GUIDE R(B1)/GUIDE T(A1)/G2, 2000MM, BLACK, QTY 1

LEVER CLAMPS

NO.	Part Number	Description
8	11.5315.048.050	DISC BRAKE LEVER CLAMP - (MMX) SILVER (STAINLESS STEEL BOLTT25) - G2 (A1), GUIDE (A1-B1), LEVEL ULT/TLM/TL, CODE RSC/R, DB5 ELIXIR 9/7/CR MAG/X0/ XX, QTY 1
8	11.5315.048.070	DISC BRAKE LEVER CLAMP - (MMX) BLACK (STAINLESS STEEL BOLT T25) - G2 (A1), GUIDE (A1-B1), LEVEL ULT/TLM/TL, CODE RSC/R, DB5 ELIXIR 9/7/CR MAG/X0/ XX, QTY 1
8	11.5315.048.080	DISC BRAKE LEVER CLAMP - (MMX) BLACK (TI BOLT T25) - G2 (A1), GUIDE (A1-B1), LEVEL ULT/TLM/TL, CODE RSC/R, DB5 ELIXIR 9/7/CR MAG/X0/ XX, QTY 1

G2 RS - HYDRAULIC DISC BRAKE

DB-G2-RS-A1



LEVER SPARES

NO.	Part Number	Description
1	11.5018.052.004	DISC BRAKE LEVER ASSEMBLY - ALUMINUM LEVER (ASSEMBLED, NO HOSE, INCLUDES BARB & OLIVE) GLOSS BLACK- G2 RS
2	11.5018.053.004	DISC BRAKE LEVER BLADE KIT - ALUMINUM GLOSS BLACK (INCLUDES BLADE, PIN, REACH KNOB, CAM, PUSHROD & BUSHINGS) - G2 RS
3	11.5018.054.001	DISC BRAKE LEVER INTERNALS/SERVICE KIT - (INCLUDES PISTON ASSEMBLY, BLADDER & SPRING) - G2 RS A1
4	11.5018.055.000	DISC BRAKE LEVER RESERVOIR CAP KIT - (INCLUDES RESERVOIR CAP, BLADDER & HARDWARE) - G2 R/RS/RSC/ULTIMATE
ns	11.5018.036.019	DISC BRAKE LEVER PISTON KIT - (INCLUDES RETURN SPRING) VERSION 2 (QTY 6) - GUIDE R/RS

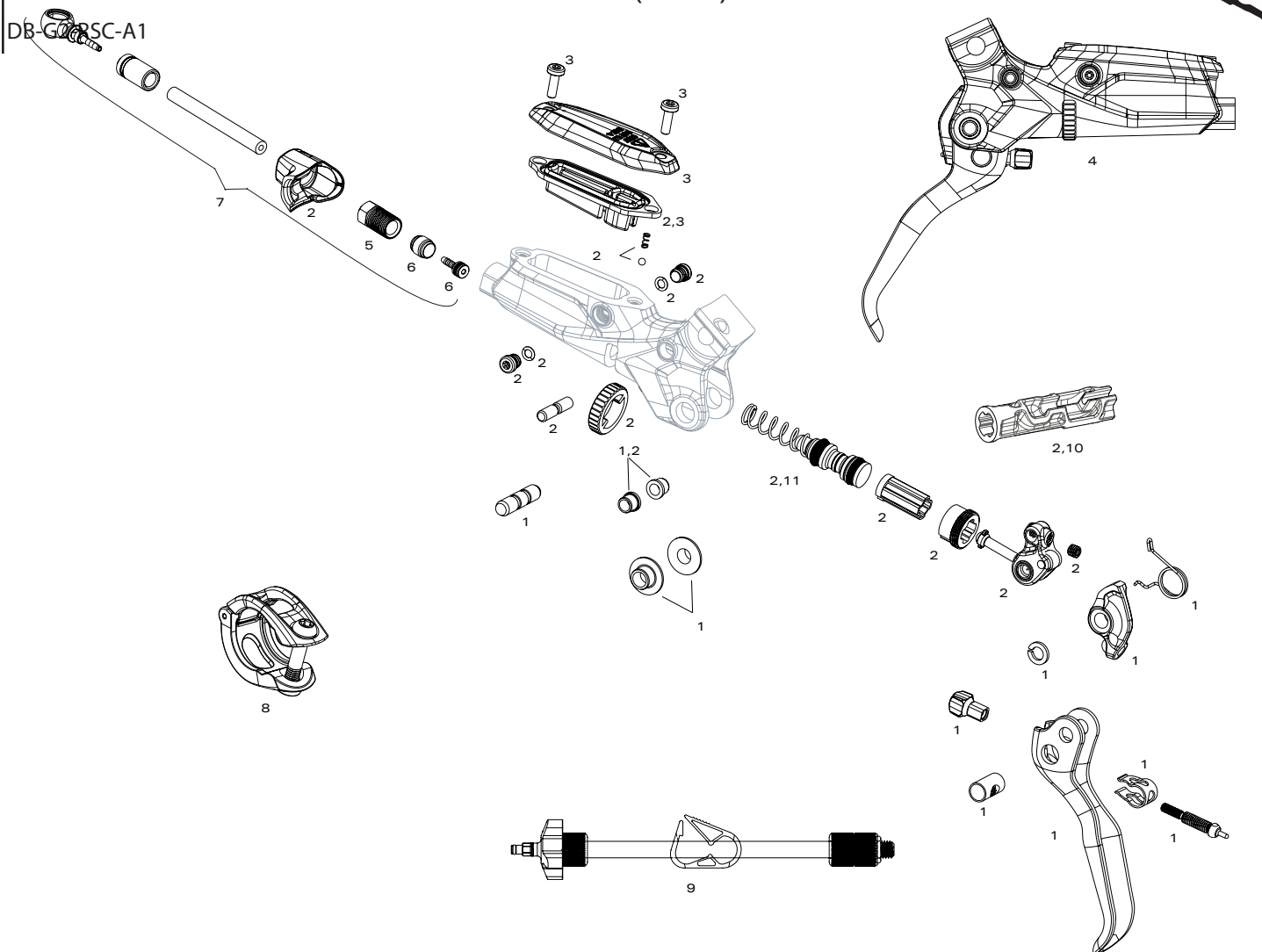
HYDRAULIC LINES & FITTING

NO.	Part Number	Description
5	11.5309.766.000	DISC BRAKE COMPRESSION HOSE NUT - (QTY 5)
6	11.5378.803.004	DISC BRAKE HOSE FITTING KIT - (INCLUDES 1 THREADED HOSE BARB, 1 RED COMP FITTING) - AVID & SRAM BRAKES
7	00.5016.168.130	HYDRAULIC LINE KIT - G2/GUIDE RSC/GUIDE RS/GUIDE R/DB5/LEVEL TL, 2000MM, STAINLESS, BLACK, QTY 1
7	00.5016.168.140	HYDRAULIC LINE KIT - G2/GUIDE RSC/GUIDE RS/GUIDE R/DB5/LEVEL TL, 2000MM, STAINLESS, WHITE, QTY 1

LEVER CLAMPS

NO.	Part Number	Description
8	11.5315.048.050	DISC BRAKE LEVER CLAMP - (MMX) SILVER (STAINLESS STEEL BOLT T25) - G2 (A1), GUIDE (A1-B1), LEVEL ULT/TLM/TL, CODE RSC/R, DB5 ELIXIR 9/7/CR MAG/X0/ XX, QTY 1
8	11.5315.048.070	DISC BRAKE LEVER CLAMP - (MMX) BLACK (STAINLESS STEEL BOLT T25) - G2 (A1), GUIDE (A1-B1), LEVEL ULT/TLM/TL, CODE RSC/R, DB5 ELIXIR 9/7/CR MAG/X0/ XX, QTY 1
8	11.5315.048.080	DISC BRAKE LEVER CLAMP - (MMX) BLACK (TI BOLT T25) - G2 (A1), GUIDE (A1-B1), LEVEL ULT/TLM/TL, CODE RSC/R, DB5 ELIXIR 9/7/CR MAG/X0/ XX, QTY 1

G2 RSC - HYDRAULIC DISC BRAKE - LEVERS A1 (2020-)

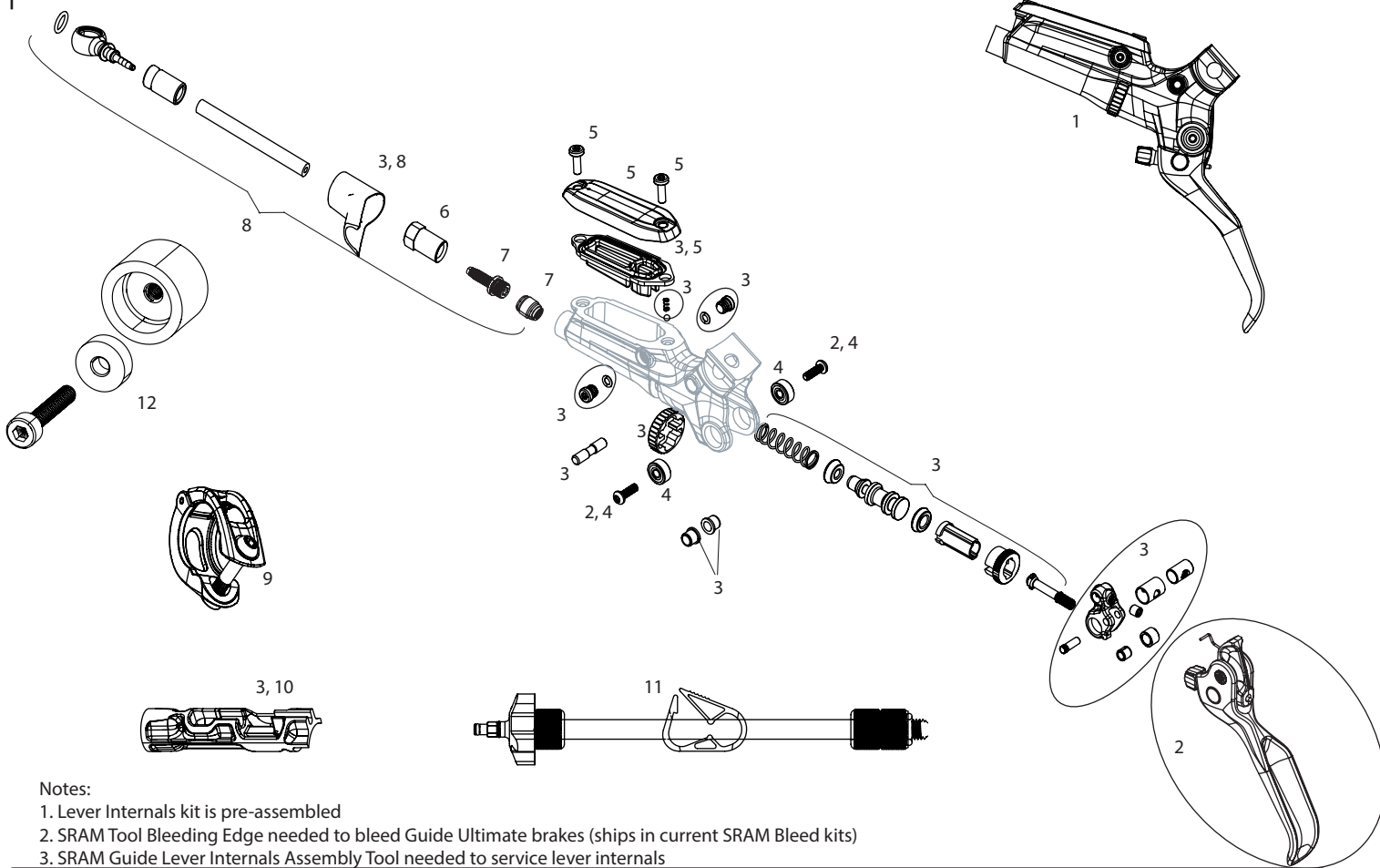


LEVER SPARES	
NO.	PART NUMBER
1	11.5018.053.000 DISC BRAKE LEVER BLADE KIT - ALUMINUM BLACK (INCLUDES BLADE, PIN, REACH KNOB, CAM, PUSHROD, SPRING & BUSHINGS) - G2 RSC
2	11.5018.054.000 DISC BRAKE LEVER INTERNALS/SERVICE KIT - (INCLUDES PISTON ASSEMBLY, BLADDER & SPRING) - G2 RSC/ULT
3	11.5018.055.000 DISC BRAKE LEVER RESERVOIR CAP KIT - (INCLUDES RESERVOIR CAP, BLADDER & HARDWARE) - G2 R/RS/RSC/ULTIMATE
4	11.5018.052.000 DISC BRAKE LEVER ASSEMBLY - ALUMINUM LEVER (ASSEMBLED, NO HOSE, INCLUDES BARB & OLIVE) DIFFUSION BLACK -G2 RSC
11	11.5018.036.020 DISC BRAKE LEVER PISTON KIT - (INCLUDES RETURN SPRING) VERSION 2 (QTY 6) - GUIDE RSC/ULTIMATE, G2 ULT (A1)
HYDRAULIC LINES & FITTING	
NO.	PART NUMBER
5	11.5309.766.000 DISC BRAKE COMPRESSION HOSE NUT - (QTY 5)
6	11.5378.803.004 DISC BRAKE HOSE FITTING KIT - (INCLUDES 1 THREADED HOSE BARB, 1 RED COMP FITTING) - AVID & SRAM BRAKES
7	00.5016.168.150 HYDRAULIC LINE KIT - S4 CALIPER - GUIDE ULTIMATE/GUIDE RSC (B1)/GUIDE RS(B1)/GUIDE R(B1)/GUIDE T(A1)/G2, 2000MM, BLACK, QTY 1
LEVER CLAMPS	
NO.	PART NUMBER
8	11.5315.048.050 DISC BRAKE LEVER CLAMP - (MMX) SILVER (STAINLESS STEEL BOLTT25) - G2 (A1), GUIDE (A1-B1), LEVEL ULT/TLM/TL, CODE RSC/R, DB5 ELIXIR 9/7/CR MAG/X0/ XX, QTY 1
8	11.5315.048.070 DISC BRAKE LEVER CLAMP - (MMX) BLACK (STAINLESS STEEL BOLT T25) - G2 (A1), GUIDE (A1-B1), LEVEL ULT/TLM/TL, CODE RSC/R, DB5 ELIXIR 9/7/CR MAG/X0/ XX, QTY 1
8	11.5315.048.080 DISC BRAKE LEVER CLAMP - (MMX) BLACK (TI BOLT T25) - G2 (A1), GUIDE (A1-B1), LEVEL ULT/TLM/TL, CODE RSC/R, DB5 ELIXIR9/7/CR MAG/X0/ XX, QTY 1
TOOLS	
NO.	PART NUMBER
9	00.5318.015.001 SRAM TOOL BLEEDING EDGE (WORKS WITH AVID/SRAM PRO BLEED KITS) -S4/MONOBLOCK CALIPERS, GUIDE ULTIMATE/RSC/RS/R (B1)/T (A1)/LEVEL ULT/ TLM (A1)/G2
10	00.5318.015.000 LEVER INTERNALS ASSEMBLY TOOL (FOR SETTING PUSHROD DISTANCE AND INSTALLING INTERNALS) - GUIDE ULTIMATE/GUIDE RSC/CODE RSC



GUIDE ULTIMATE - HYDRAULIC DISC BRAKE - LEVERS A1(2015-2019)

DB-GDE-ULT-A1



Notes:

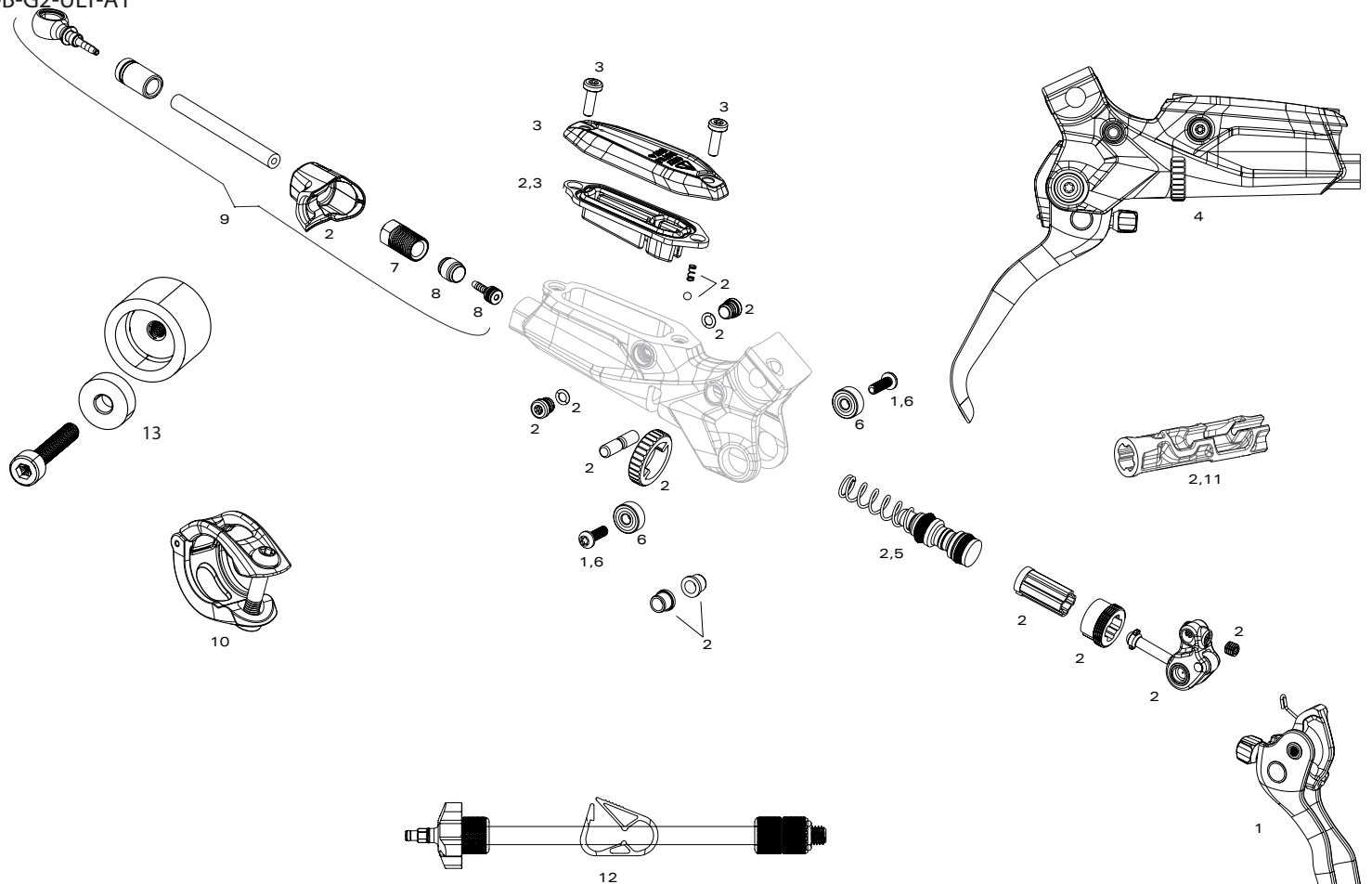
- 1. Lever Internals kit is pre-assembled
- 2. SRAM Tool Bleeding Edge needed to bleed Guide Ultimate brakes (ships in current SRAM Bleed kits)
- 3. SRAM Guide Lever Internals Assembly Tool needed to service lever internals

NO.	LEVER SPARES PART NUMBER	LEVER SPARES
1	11.5018.046.006	DISC BRAKE LEVER ASSEMBLY - CARBON LEVER (ASSEMBLED, NO HOSE, INCLUDES BARB & OLIVE) VERSION 2 ARTIC GREY-GUIDE ULTIMATE
1	11.5018.046.007	DISC BRAKE LEVER ASSEMBLY - CARBON LEVER (ASSEMBLED, NO HOSE, INCLUDES BARB & OLIVE) VERSION 2 BLACK ANO-GUIDE ULTIMATE
2	11.5018.003.015	DISC BRAKE LEVER BLADE KIT - CARBON BLACK V2 (INCLUDES BLADE, PIN, REACH KNOB, CAM, PUSHROD, SPRING & BUSHINGS) - GUIDE ULTIMATE
3	11.5018.005.010	DISC BRAKE LEVER INTERNALS/SERVICE KIT - (INCLUDES PISTON ASSEMBLY, BLADDER & SPRING) - VERSION 2 GUIDE RSC/ULTIMATE/CODE RSC
4	11.5018.023.000	DISC BRAKE LEVER BEARING KIT - (INCLUDES TWO 1/8X3/8X5/32 BEARINGS & HARDWARE) - GUIDE RSC/ULTIMATE/X0 TRAIL/CODE RSC/LEVEL ULTIMATE/G2 ULTIMATE
5	11.5018.022.000	DISC BRAKE LEVER RESERVOIR CAP KIT - (INCLUDES RESERVOIR CAP, BLADDER & HARDWARE) - GUIDE R/RE/RS/RSC/ULTIMATE/DBS
ns	11.5018.036.020	DISC BRAKE LEVER PISTON KIT - (INCLUDES RETURN SPRING) VERSION 2 (QTY 6) - GUIDE RSC/ULTIMATE, G2 ULT (A1)
HYDRAULIC LINES & FITTING		
6	11.5309.766.000	DISC BRAKE COMPRESSION HOSE NUT - (QTY 5)
7	11.5378.803.004	DISC BRAKE HOSE FITTING KIT - (INCLUDES 1 THREADED HOSE BARB, 1 RED COMP FITTING) - AVID & SRAM BRAKES (INCLUDES 1 THREADED HOSEBARB, 1 RED COMP FITTING) QTY 1 - STEALTHAMAJIG
8	00.5016.168.150	HYDRAULIC LINE KIT - S4 CALIPER - GUIDE ULTIMATE/GUIDE RSC (B1)/GUIDE RS(B1)/GUIDE R(B1)/GUIDE T(A1)/G2, 2000MM, BLACK, QTY 1
LEVER CLAMPS		
9	11.5315.048.050	DISC BRAKE LEVER CLAMP - (MMX) SILVER (STAINLESS STEEL BOLTT25) - G2 (A1), GUIDE (A1-B1), LEVEL ULT/TLM/TL, CODE RSC/R, DBS ELIXIR 9/7/CR MAG/X0/ XX, QTY 1
9	11.5315.048.070	DISC BRAKE LEVER CLAMP - (MMX) BLACK (STAINLESS STEEL BOLT T25) - G2 (A1), GUIDE (A1-B1), LEVEL ULT/TLM/TL, CODE RSC/R, DBS ELIXIR 9/7/CR MAG/X0/ XX, QTY 1
9	11.5315.048.080	DISC BRAKE LEVER CLAMP - (MMX) BLACK (TI BOLT T25) - G2 (A1), GUIDE (A1-B1), LEVEL ULT/TLM/TL, CODE RSC/R, DBS ELIXIR9/7/CR MAG/X0/ XX, QTY 1
TOOLS		
10	00.5318.015.000	LEVER INTERNALS ASSEMBLY TOOL (FOR SETTING PUSHROD DISTANCE AND INSTALLING INTERNALS) - GUIDE ULTIMATE/GUIDE RSC/ CODE RSC
11	00.5318.015.001	SRAM TOOL BLEEDING EDGE (WORKS WITH AVID/SRAM PRO BLEED KITS) -S4/MONOBLOCK CALIPERS, GUIDE ULTIMATE/RSC/RS/R (B1)/T (A1)/LEVEL ULT/ TLM (A1)/G2
12	00.5318.025.000	LEVER PIVOT BEARING PRESS TOOL- CODE RSC, XO TRAIL, LEVEL ULTIMATE, GUIDE ULTIMATE/RSC, G2 ULTIMATE



G2 ULTIMATE - HYDRAULIC DISC BRAKE - LEVERS A1(2020-)

DB-G2-ULT-A1

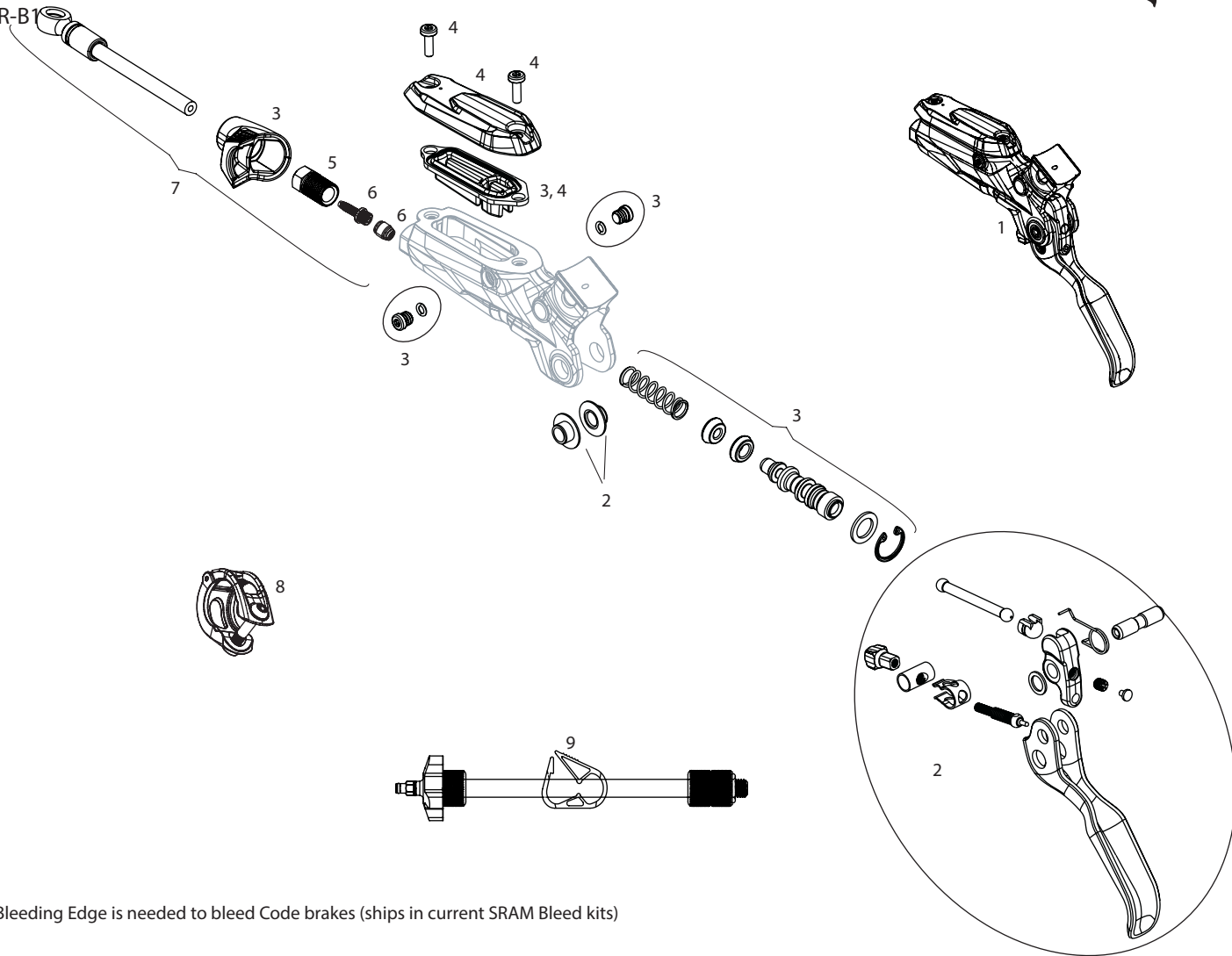


LEVER SPARES		
NO.	PART NUMBER	
1	11.5018.053.001	DISC BRAKE LEVER BLADE KIT - CARBON BLACK (INCLUDES BLADE, PIN, REACH KNOB, CAM, PUSHROD, SPRING & BEARINGS) - G2 ULT
2	11.5018.054.000	DISC BRAKE LEVER INTERNALS/SERVICE KIT - (INCLUDES PISTON ASSEMBLY, BLADDER & SPRING) - G2 RSC/ULT
3	11.5018.055.000	DISC BRAKE LEVER RESERVOIR CAP KIT - (INCLUDES RESERVOIR CAP, BLADDER & HARDWARE) - G2 R/RS/RSC/ULTIMATE
4	11.5018.052.001	DISC BRAKE LEVER ASSEMBLY - CARBON LEVER (ASSEMBLED, NO HOSE, INCLUDES BARB & OLIVE) LUNAR GREY - G2 ULTIMATE
5	11.5018.036.020	DISC BRAKE LEVER PISTON KIT - (INCLUDES RETURN SPRING) VERSION 2 (QTY 6) - GUIDE RSC/ULTIMATE, G2 ULT (A1)
6	11.5018.023.000	DISC BRAKE LEVER BEARING KIT - (INCLUDES TWO 1/8X3/8X5/32 BEARINGS & HARDWARE) - GUIDE RSC/ULTIMATE/XO TRAIL/CODE RSC/LEVEL ULTIMATE/G2 ULTIMATE
HYDRAULIC LINES & FITTING		
NO.	PART NUMBER	
7	11.5309.766.000	DISC BRAKE COMPRESSION HOSE NUT - (QTY 5)
8	11.5378.803.004	DISC BRAKE HOSE FITTING KIT - (INCLUDES 1 THREADED HOSE BARB, 1 RED COMP FITTING) - AVID & SRAM BRAKES (INCLUDES 1 THREADED HOSEBARB, 1 RED COMP FITTING) QTY 1 - STEALTHAMAJIG
9	00.5016.168.150	HYDRAULIC LINE KIT - S4 CALIPER - GUIDE ULTIMATE/GUIDE RSC (B1)/GUIDE RS(B1)/GUIDE R(B1)/GUIDE T(A1)/G2, 2000MM, BLACK, QTY 1
LEVER CLAMPS		
NO.	PART NUMBER	
10	11.5315.048.050	DISC BRAKE LEVER CLAMP - (MMX) SILVER (STAINLESS STEEL BOLTT25) - G2 (A1), GUIDE (A1-B1), LEVEL ULT/TLM/TL,CODE RSC/R, DB5 ELIXIR 9/7/CR MAG/X0/ XX, QTY 1
10	11.5315.048.070	DISC BRAKE LEVER CLAMP - (MMX) BLACK (STAINLESS STEEL BOLT T25) - G2 (A1), GUIDE (A1-B1),LEVEL ULT/TLM/TL,CODE RSC/R, DB5 ELIXIR 9/7/CR MAG/X0/ XX, QTY 1
10	11.5315.048.080	DISC BRAKE LEVER CLAMP - (MMX) BLACK (TI BOLT T25) - G2 (A1), GUIDE (A1-B1), LEVEL ULT/TLM/TL, CODE RSC/R,DB5 ELIXIR9/7/CR MAG/X0/ XX, QTY 1
TOOLS		
NO.	PART NUMBER	
11	00.5318.015.000	LEVER INTERNALS ASSEMBLY TOOL (FOR SETTING PUSHROD DISTANCE AND INSTALLING INTERNALS) - GUIDE ULTIMATE/GUIDE RSC/CODE RSC
12	00.5318.015.001	SRAM TOOL BLEEDING EDGE (WORKS WITH AVID/SRAM PRO BLEED KITS) -S4/MONOBLOCK CALIPERS, GUIDE ULTIMATE/RSC/RS/R (B1)/T (A1)/LEVEL ULT/ TLM (A1)/G2
13	00.5318.025.000	LEVER PIVOT BEARING PRESS TOOL- CODE RSC, XO TRAIL, LEVEL ULTIMATE, GUIDE ULTIMATE/RSC, G2 ULTIMATE



CODE R - HYDRAULIC DISC BRAKE - LEVERS B1(2018-2020)

DB-CODE-R-B1



Notes:

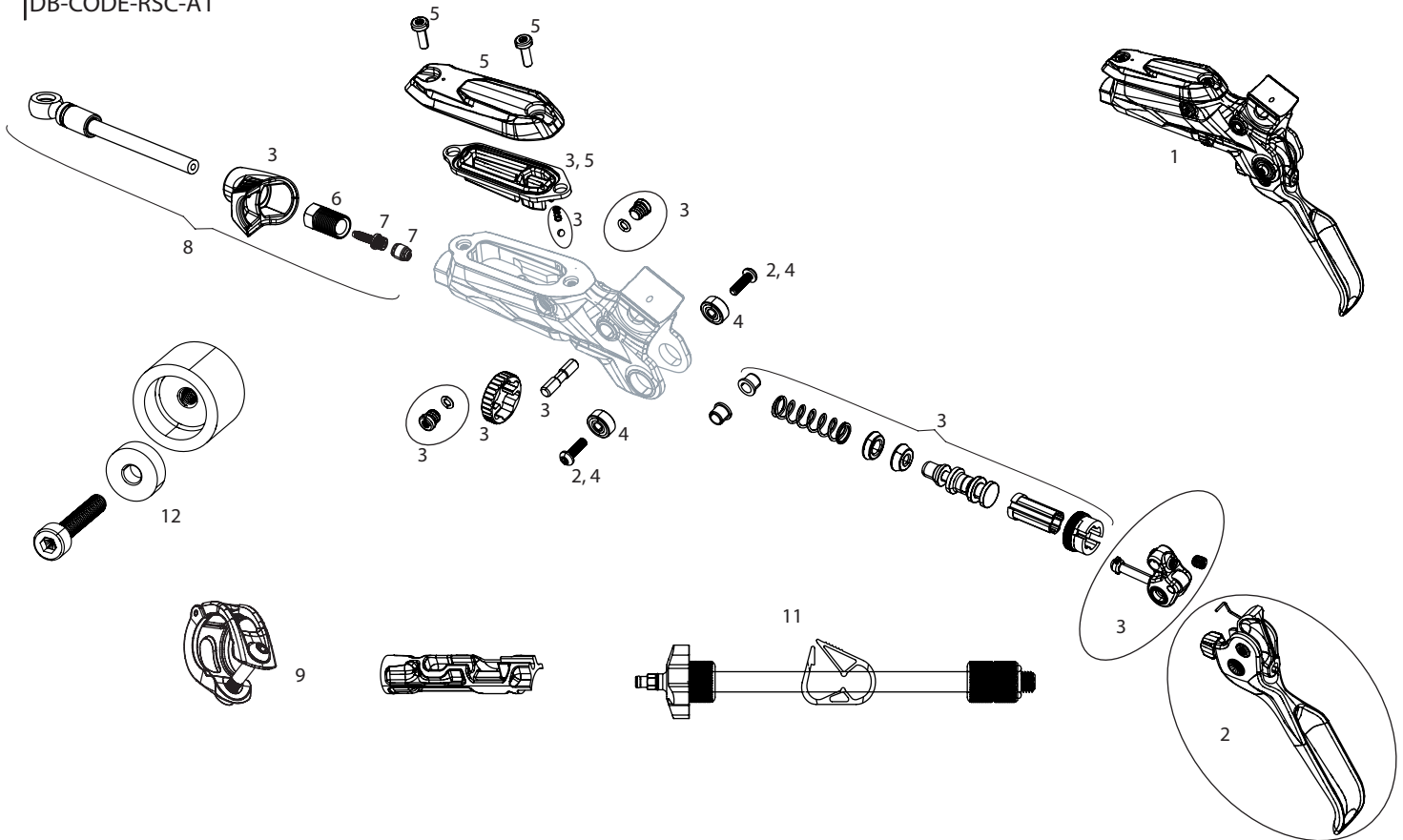
1. SRAM Tool Bleeding Edge is needed to bleed Code brakes (ships in current SRAM Bleed kits)

LEVER SPARES		
NO.	PART NUMBER	
1	11.5018.046.014	DISC BRAKE LEVER ASSEMBLY - ALUMINUM LEVER (ASSEMBLED, NO HOSE, INCLUDES BARB & OLIVE) VERSION 2 DARK GREY - CODE R
1	11.5018.046.015	DISC BRAKE LEVER ASSEMBLY - ALUMINUM LEVER (ASSEMBLED, NO HOSE, INCLUDES BARB & OLIVE) VERSION 2 DIFFUSION BLACK - CODE R
2	11.5018.003.019	DISC BRAKE LEVER BLADE KIT - ALUMINUM BLACK (INCLUDES BLADE, DOWEL, PUSHROD & BUSHINGS) - CODE R
3	11.5018.005.008	DISC BRAKE LEVER INTERNALS/SERVICE KIT - (INCLUDES PISTON ASSEMBLY, BLADDER & SPRING) - VERSION 2 GUIDE R/RE/DB5/ CODE R/G2 R
HYDRAULIC LINES & FITTING		
5	11.5309.766.000	DISC BRAKE COMPRESSION HOSE NUT - (QTY 5)
6	11.5378.803.004	DISC BRAKE HOSE FITTING KIT - (INCLUDES 1 THREADED HOSE BARB, 1 RED COMP FITTING) - AVID & SRAM BRAKES
7	00.5016.168.170	HYDRAULIC LINE KIT - MONOBLOCK, 2000MM, BLACK, QTY 1 - LEVEL ULTIMATE/LEVEL TLM (A1), CODE R/RSC B1 (2018+)
LEVER CLAMPS		
8	11.5315.048.050	DISC BRAKE LEVER CLAMP - (MMX) SILVER (STAINLESS STEEL BOLT T25) - G2 (A1), GUIDE (A1-B1), LEVEL ULT/TLM/TL, CODE RSC/R, DB5 ELIXIR 9/7/CR MAG/X0/ XX, QTY 1
8	11.5315.048.070	DISC BRAKE LEVER CLAMP - (MMX) BLACK (STAINLESS STEEL BOLT T25) - G2 (A1), GUIDE (A1-B1), LEVEL ULT/TLM/TL, CODE RSC/R, DB5 ELIXIR 9/7/CR MAG/X0/ XX, QTY 1
8	11.5315.048.080	DISC BRAKE LEVER CLAMP - (MMX) BLACK (TI BOLT T25) - G2 (A1), GUIDE (A1-B1), LEVEL ULT/TLM/TL, CODE RSC/R, DB5 ELIXIR 9/7/CR MAG/X0/ XX, QTY 1
TOOLS		
9	00.5318.015.001	SRAM TOOL BLEEDING EDGE (WORKS WITH AVID/SRAM PRO BLEED KITS) -S4/MONOBLOCK CALIPERS, GUIDE ULTIMATE/RSC/RS/R (B1)/T (A1)/LEVEL ULT/ TLM (A1)/G2



CODE RSC - HYDRAULIC DISC BRAKE - LEVERS A1(2018-2020)

DB-CODE-RSC-A1



Notes:

1. SRAM Tool Bleeding Edge is needed to bleed Code brakes (ships in current SRAM Bleed kits)

LEVER SPARES		
NO.	PART NUMBER	
1	11.5018.046.016	DISC BRAKE LEVER ASSEMBLY - ALUMINUM LEVER (ASSEMBLED, NO HOSE, INCLUDES BARB & OLIVE) VERSION 2 BLACK -CODE RSC
2	11.5018.003.014	DISC BRAKE LEVER BLADE KIT - ALUMINUM BLACK V2 (INCLUDES BLADE, PIN, REACH KNOB, CAM, PUSHROD, SPRING & BUSHINGS) - GUIDE RSC/CODE RSC
3	11.5018.005.010	DISC BRAKE LEVER INTERNALS/SERVICE KIT - (INCLUDES PISTON ASSEMBLY, BLADDER & SPRING) - VERSION 2 GUIDE RSC/ULTIMATE/CODE RSC
4	11.5018.023.000	DISC BRAKE LEVER BEARING KIT - (INCLUDES TWO 1/8X3/8X5/32 BEARINGS & HARDWARE) - GUIDE RSC/ULTIMATE/X0 TRAIL/CODE RSC/LEVEL ULTIMATE/G2 ULTIMATE
5	11.5018.022.002	DISC BRAKE LEVER RESERVOIR CAP KIT - (INCLUDES RESERVOIR CAP, BLADDER & HARDWARE) - CODE R B1/RSC A1
HYDRAULIC LINES & FITTING		
6	11.5309.766.000	DISC BRAKE COMPRESSION HOSE NUT - (QTY 5)
7	11.5378.803.004	DISC BRAKE HOSE FITTING KIT - (INCLUDES 1 THREADED HOSE BARB, 1 RED COMP FITTING) - AVID & SRAM BRAKES
8	00.5016.168.170	HYDRAULIC LINE KIT - MONOBLOCK, 2000MM, BLACK, QTY 1 - LEVEL ULTIMATE/LEVEL TLM (A1), CODE R/RSC B1 (2018+)
LEVER CLAMPS		
9	11.5315.048.050	DISC BRAKE LEVER CLAMP - (MMX) SILVER (STAINLESS STEEL BOLT T25) - G2 (A1), GUIDE (A1-B1), LEVEL ULT/TLM/TL, CODE RSC/R, DB5 ELIXIR 9/7/CR MAG/X0/ XX, QTY 1
9	11.5315.048.070	DISC BRAKE LEVER CLAMP - (MMX) BLACK (STAINLESS STEEL BOLT T25) - G2 (A1), GUIDE (A1-B1), LEVEL ULT/TLM/TL, CODE RSC/R, DB5 ELIXIR 9/7/CR MAG/X0/ XX, QTY 1
9	11.5315.048.080	DISC BRAKE LEVER CLAMP - (MMX) BLACK (TI BOLT T25) - G2 (A1), GUIDE (A1-B1), LEVEL ULT/TLM/TL, CODE RSC/R, DB5 ELIXIR 9/7/CR MAG/X0/ XX, QTY 1
TOOLS		
10	00.5318.015.000	LEVER INTERNALS ASSEMBLY TOOL (FOR SETTING PUSHROD DISTANCE AND INSTALLING INTERNALS) - GUIDE ULTIMATE/GUIDE RSC/CODE RSC
11	00.5318.015.001	SRAM TOOL BLEEDING EDGE (WORKS WITH AVID/SRAM PRO BLEED KITS) -S4/MONOBLOCK CALIPERS, GUIDE ULTIMATE/RSC/RS/R (B1)/T (A1)/LEVEL ULT/ TLM (A1)/G2
12	00.5318.025.000	LEVER PIVOT BEARING PRESS TOOL- CODE RSC, XO TRAIL, LEVEL ULTIMATE, GUIDE ULTIMATE/RSC, G2 ULTIMATE

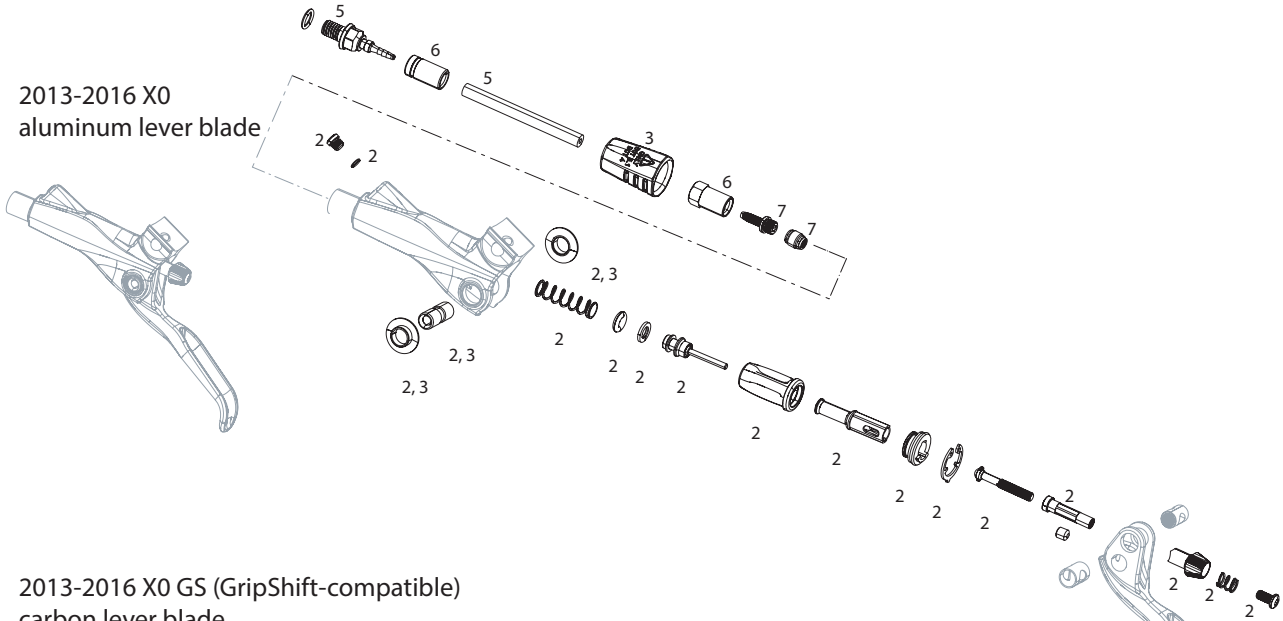


X0 - HYDRAULIC DISC BRAKE - LEVERS (2013-2016)

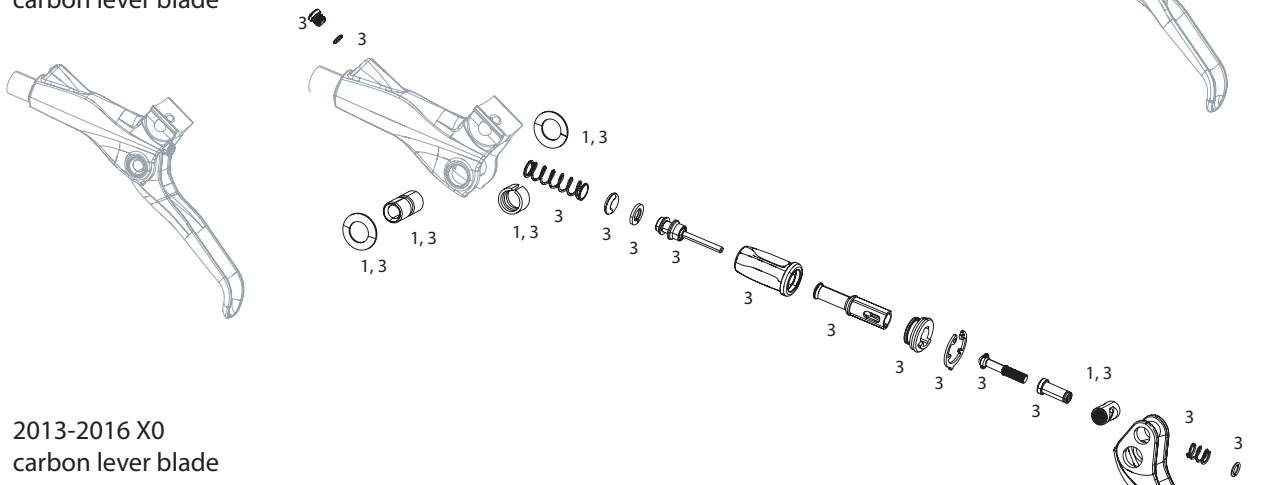
DB-X0-B1



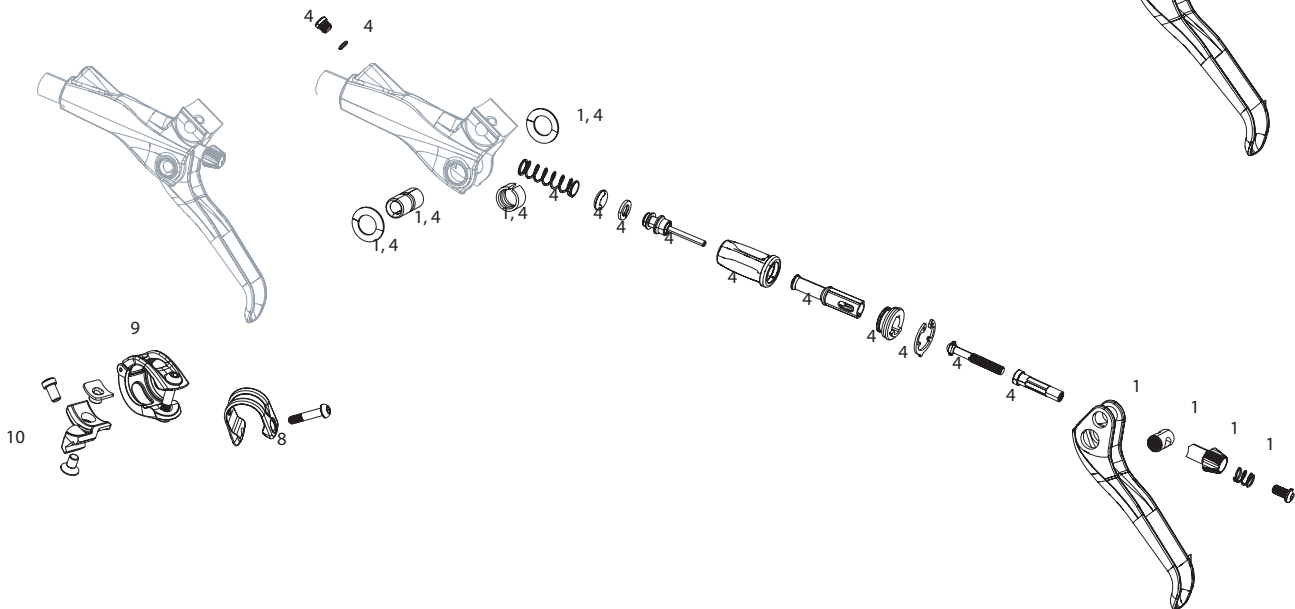
2013-2016 X0
aluminum lever blade



2013-2016 X0 GS (GripShift-compatible)
carbon lever blade



2013-2016 X0
carbon lever blade



Notes:
1. Lever Internals kit is pre-assembled

X0 - HYDRAULIC DISC BRAKE - LEVERS (2013-2016)



DB-X0-B1

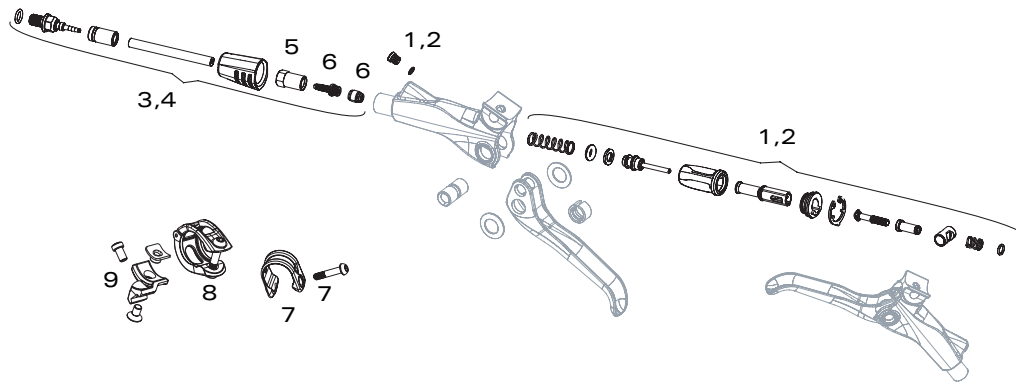
LEVER SPARES		
NO.	PART NUMBER	
1	11.5018.003.004	DISC BRAKE LEVER BLADE KIT - CARBON BLACK (INCLUDES BLADE, PIN & BUSHINGS) - X0 B1 (2012-2016)
2	11.5015.064.050	DISC BRAKE LEVER INTERNALS/SERVICE KIT - (INCLUDES PISTON ASSEMBLY, BLADDER & SPRING) ALUMINUM BLADE - ELIXIR 9/ ELIXIR 7/ ELIXIR 7 TRAIL ELIXIR CODE-R/X0 2013-2016
3	11.5015.064.070	DISC BRAKE LEVER INTERNALS/SERVICE KIT - (INCLUDES PISTON ASSEMBLY, BLADDER & SPRING) CARBON BLADE - 2012-2016 XX/XXWC/2013-2016 X0 GS
4	11.5015.064.060	DISC BRAKE LEVER INTERNALS/SERVICE KIT - (INCLUDES PISTON ASSEMBLY, BLADDER & SPRING) CARBON BLADE - ELIXIR 9/ELIXIR 7/ELIXIR 7 TRAIL/CODE-R /X0 2013-2016
HYDRAULIC LINES & FITTING		
NO.	PART NUMBER	
5	00.5016.168.050	HYDRAULIC LINE KIT - ELIXIR 5, ELIXIR 7, ELIXIR 9, ELIXIR R, ELIXIR CR, ELIXIR X0, ELIXIR CR MAG, 2000MM, STAINLESS, BLACK, QTY 1
5	00.5016.168.060	HYDRAULIC LINE KIT - ELIXIR 5, ELIXIR 7, ELIXIR 9, ELIXIR R, ELIXIR CR, ELIXIR X0, ELIXIR CR MAG, 2000MM, STAINLESS, WHITE, QTY 1
6	11.5309.766.000	DISC BRAKE COMPRESSION HOSE NUT - (QTY 5)
7	11.5378.803.004	DISC BRAKE HOSE FITTING KIT - (INCLUDES 1 THREADED HOSE BARB, 1 RED COMP FITTING) - AVID & SRAM BRAKES
LEVER CLAMPS		
NO.	PART NUMBER	
8	11.5315.048.010	DISC BRAKE LEVER CLAMP - (DISCRETE) BLACK (STAINLESS STEEL BOLT T25)-GUIDE ULT/RSC/RS/RE/R,LEVEL ULT/TLM/TL, CODE RSC/R,DB5 ELIXIR 9/7/CR MAG/X0/ XX, QTY 1
8	11.5315.048.090	DISC BRAKE LEVER CLAMP - (DISCRETE) BLACK (TI BOLT T25) - GUIDE ULT/RSC/RS/RE/R,LEVEL ULT/TLM/TL, CODE RSC/R, DB5 ELIXIR9/7/CR MAG/X0/ XX, QTY 1
9	11.5315.048.050	DISC BRAKE LEVER CLAMP - (MMX) SILVER (STAINLESS STEEL BOLTT25) - G2 (A1), GUIDE (A1-B1), LEVEL ULT/TLM/TL, CODE RSC/R, DB5 ELIXIR 9/7/CR MAG/X0/ XX, QTY 1
9	11.5315.048.070	DISC BRAKE LEVER CLAMP - (MMX) BLACK (STAINLESS STEEL BOLT T25) - G2 (A1), GUIDE (A1-B1),LEVEL ULT/TLM/TL, CODE RSC/R, DB5 ELIXIR 9/7/CR MAG/X0/ XX, QTY 1
9	11.5315.048.080	DISC BRAKE LEVER CLAMP - (MMX) BLACK (TI BOLT T25) - G2 (A1), GUIDE (A1-B1), LEVEL ULT/TLM/TL, CODE RSC/R,DB5 ELIXIR9/7/ CR MAG/X0/ XX, QTY 1
10	11.5315.049.010	DISC BRAKE LEVER CLAMP SHIFTER MOUNTING BRACKET - (MMX) LEFT GUIDE ULT/RSC/RS/RE/R,LEVEL ULT/TLM/TL, CODE RSC/R, DB5 ELIXIR 9/7/CR MAG/X0/ XX, QTY 1
10	11.5315.049.020	DISC BRAKE LEVER CLAMP SHIFTER MOUNTING BRACKET - (MMX) RIGHT -GUIDE ULT/RSC/RS/RE/R,LEVEL ULT/TLM/TL, CODE RSC/R, DB5 ELIXIR 9/7/CR MAG/X0/ XX, QTY 1



XX WORLD CUP - HYDRAULIC DISC BRAKE - LEVERS A1 (2011-2016)



DB-XX-WC-A1

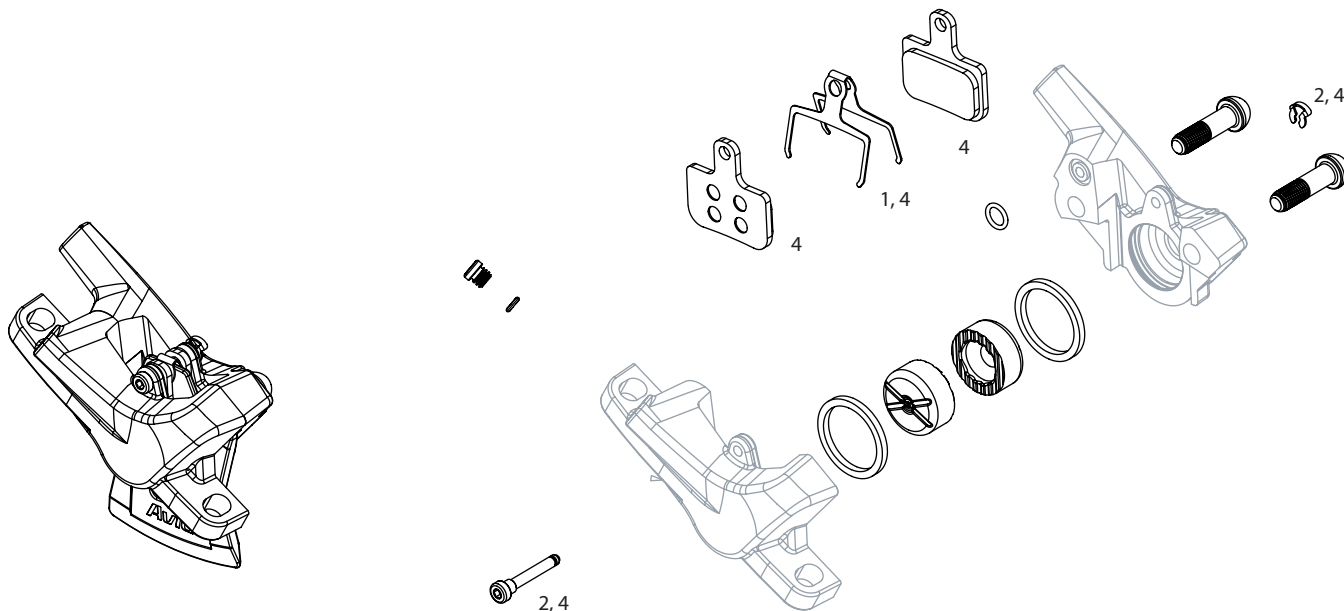


Notes:

- 1. Lever Internals kit is pre-assembled
- 2. Use Level Ultimate as replacement for XX World Cup lever assembly

NO.	PART NUMBER	
1	11.5015.064.070	DISC BRAKE LEVER INTERNALS/SERVICE KIT - (INCLUDES PISTON ASSEMBLY, BLADDER & SPRING) CARBON BLADE - 2012-2016 XX/XXWC/2013-2016 X0 GS
2	11.5015.064.080	DISC BRAKE LEVER INTERNALS/SERVICE KIT - (INCLUDES PISTON ASSEMBLY, BLADDER & SPRING) - XX 2010-2011, /X0 2011-2012, X0 MY12 (PRODUCED AFTER AUGUST 2011) QTY 1
HYDRAULIC LINES & FITTING		
3	00.5016.168.030	HYDRAULIC LINE KIT - XX, JUICY ULTIMATE, JUICY 7, JUICY 5, 2000MM, ALUMINUM BANJO, BLACK, QTY 1
4	00.5016.168.050	HYDRAULIC LINE KIT - ELIXIR 5, ELIXIR 7, ELIXIR 9, ELIXIR R, ELIXIR CR, ELIXIR X0, ELIXIR CR MAG, 2000MM, STAINLESS, BLACK, QTY 1
4	00.5016.168.060	HYDRAULIC LINE KIT - ELIXIR 5, ELIXIR 7, ELIXIR 9, ELIXIR R, ELIXIR CR, ELIXIR X0, ELIXIR CR MAG, 2000MM, STAINLESS, WHITE, QTY 1
5	11.5309.766.000	DISC BRAKE COMPRESSION HOSE NUT - (QTY 5)
6	11.5378.803.004	DISC BRAKE HOSE FITTING KIT - (INCLUDES 1 THREADED HOSE BARB, 1 RED COMP FITTING) - AVID & SRAM BRAKES
ns	11.5315.050.010	ELIXIR LEVER PIVOT BEARING PRESS TOOL (REQUIRED FOR 2010 ELIXIR CR MAG AND XX)
LEVER CLAMPS		
7	11.5315.048.010	DISC BRAKE LEVER CLAMP - (DISCRETE) BLACK (STAINLESS STEEL BOLT T25)-GUIDE ULT/RSC/RS/RE/R,LEVEL ULT/TLM/TL, CODE RSC/R,DB5 ELIXIR 9/7/CR MAG/X0/ XX, QTY 1
7	11.5315.048.020	DISC BRAKE LEVER CLAMP - (DISCRETE) SILVER (TI BOLTT25) - GUIDE ULT/RSC/RS/RE/R,LEVEL ULT/TLM/TL, CODE RSC/R, DB5 ELIXIR9/7/CR MAG/X0/ XX, QTY 1
8	11.5315.048.050	DISC BRAKE LEVER CLAMP - (MMX) SILVER (STAINLESS STEEL BOLTT25) - G2 (A1), GUIDE (A1-B1), LEVEL ULT/TLM/TL, CODE RSC/R, DB5 ELIXIR 9/7/CR MAG/X0/ XX, QTY 1
8	11.5315.048.070	DISC BRAKE LEVER CLAMP - (MMX) BLACK (STAINLESS STEEL BOLT T25) - G2 (A1), GUIDE (A1-B1),LEVEL ULT/TLM/TL, CODE RSC/R, DB5 ELIXIR 9/7/CR MAG/X0/ XX, QTY 1
8	11.5315.048.080	DISC BRAKE LEVER CLAMP - (MMX) BLACK (TI BOLT T25) - G2 (A1), GUIDE (A1-B1), LEVEL ULT/TLM/TL, CODE RSC/R,DB5 ELIXIR9/7/ CR MAG/X0/ XX, QTY 1
9	11.5315.049.010	DISC BRAKE LEVER CLAMP SHIFTER MOUNTING BRACKET - (MMX) LEFT GUIDE ULT/RSC/RS/RE/R,LEVEL ULT/TLM/TL, CODE RSC/R, DB5 ELIXIR 9/7/CR MAG/X0/ XX, QTY 1
9	11.5315.049.020	DISC BRAKE LEVER CLAMP SHIFTER MOUNTING BRACKET - (MMX) RIGHT -GUIDE ULT/RSC/RS/RE/R,LEVEL ULT/TLM/TL, CODE RSC/R, DB5 ELIXIR 9/7/CR MAG/X0/ XX, QTY 1





NOTES:

1. See lever pages for exploded view of Hydraulic Line kits

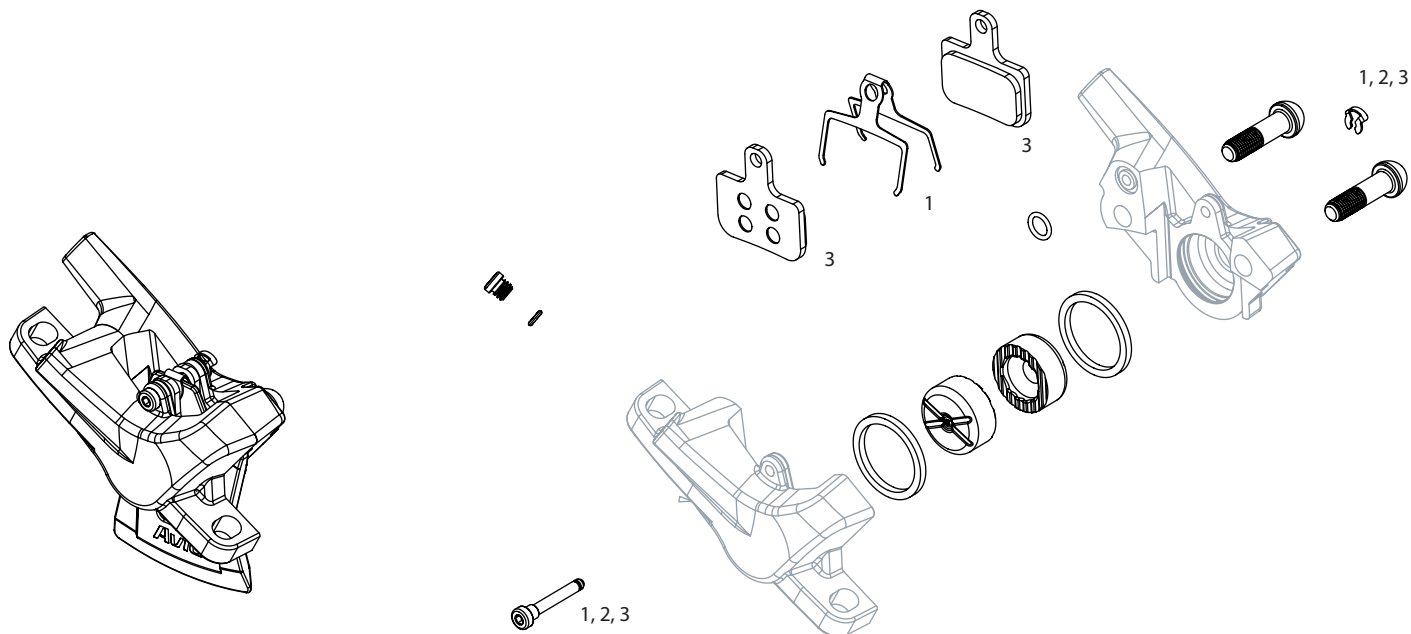
CALIPER SPARES		
NO.	PART NUMBER	
1	11.5015.035.000	DISC BRAKE PAD H-SPRING - (QTY 2) - ELIXIR/DB/LEVEL ULT B1/LEVEL TLM B1/FORCE ETAP AXS
2	11.5015.036.030	DISC BRAKE PAD PIN KIT - BLACK, (QTY 2) - ELIXIR 1/DB 1
BRAKE PADS		
NO.	PART NUMBER	
4	00.5315.035.010	Disc Brake Pads - Sintered/Steel (Powerful) - Elixir/DB/Level TL/Level T/Level/Level ULT/TLM B1 (2020+)
4	00.5315.035.020	Disc Brake Pads - Organic/Aluminum (Quiet/Light) - Elixir/DB/Level TL/Level T/Level/Level ULT/TLM B1 (2020+)
HYDRAULIC LINES & FITTING		
NO.	PART NUMBER	
ns	00.5016.168.010	HYDRAULIC LINE KIT - CODE/CODE R/ELIXIR 3/ELIXIR 1/JUICY 3/DB 3/DB 1/LEVEL ULT/TLM B1 (2020+)/LEVEL T/LEVEL/GUIDE RE, 2000MM, BLACK, QTY 1
ns	00.5016.168.020	HYDRAULIC LINE KIT - CODE/CODE R/ELIXIR 3/ELIXIR 1/JUICY 3/DB 3/DB 1/LEVEL ULT/TLM B1 (2020+)/LEVEL T/LEVEL/GUIDE RE, 2000MM, WHITE, QTY 1
ns	11.5309.766.000	DISC BRAKE COMPRESSION HOSE NUT - (QTY 5)
ns	11.5378.803.004	DISC BRAKE HOSE FITTING KIT - (INCLUDES 1 THREADED HOSE BARB, 1 RED COMP FITTING) - AVID & SRAM BRAKES



DB 3 - HYDRAULIC DISC BRAKE - CALIPERS A1 (2015-2016)



DB-DB3-A1



NOTES:

1. See lever pages for exploded view of Hydraulic Line kits

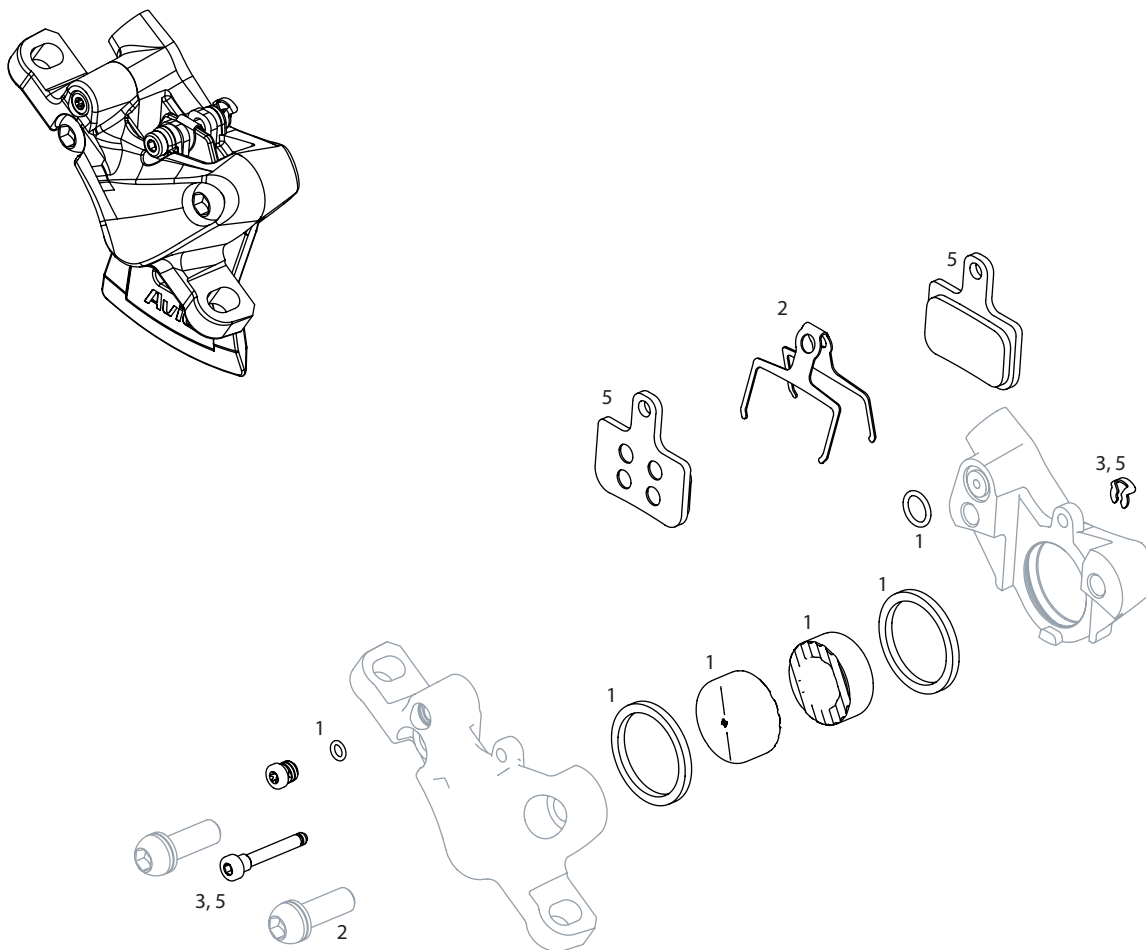
CALIPER SPARES		
NO.	PART NUMBER	
2	11.5015.035.000	DISC BRAKE PAD H-SPRING - (QTY 2) - ELIXIR/DB/LEVEL ULT B1/LEVEL TLM B1/FORCE ETAP AXS
3	11.5015.036.000	DISC BRAKE PAD PIN KIT - BLACK (QTY 2) - ELIXIR
BRAKE PADS		
NO.	PART NUMBER	
5	00.5315.035.010	Disc Brake Pads - Sintered/Steel (Powerful) - Elixir/DB/Level TL/Level T/Level/Level ULT/TLM B1 (2020+)
5	00.5315.035.020	Disc Brake Pads - Organic/Aluminum (Quiet/Light) - Elixir/DB/Level TL/Level T/Level/Level ULT/TLM B1 (2020+)
HYDRAULIC LINES & FITTING		
NO.	PART NUMBER	
ns	00.5016.168.010	HYDRAULIC LINE KIT - CODE/CODE R/ELIXIR 3/ELIXIR 1/JUICY 3/DB 3/DB 1/LEVEL T/LEVEL/GUIDE RE, 2000MM, BLACK, QTY 1
ns	00.5016.168.020	HYDRAULIC LINE KIT - CODE/CODE R/ELIXIR 3/ELIXIR 1/JUICY 3/DB 3/DB 1/LEVEL T/LEVEL/GUIDE RE, 2000MM, WHITE, QTY 1
ns	11.5309.766.000	DISC BRAKE COMPRESSION HOSE NUT - (QTY 5)
ns	11.5378.803.004	DISC BRAKE HOSE FITTING KIT - (INCLUDES 1 THREADED HOSE BARB, 1 RED COMP FITTING) - AVID & SRAM BRAKES



DB 5 - HYDRAULIC DISC BRAKE - CALIPERS A1 (2015-2016)



DB-DB5-A1



NOTES:

1. See lever pages for exploded view of Hydraulic Line kits

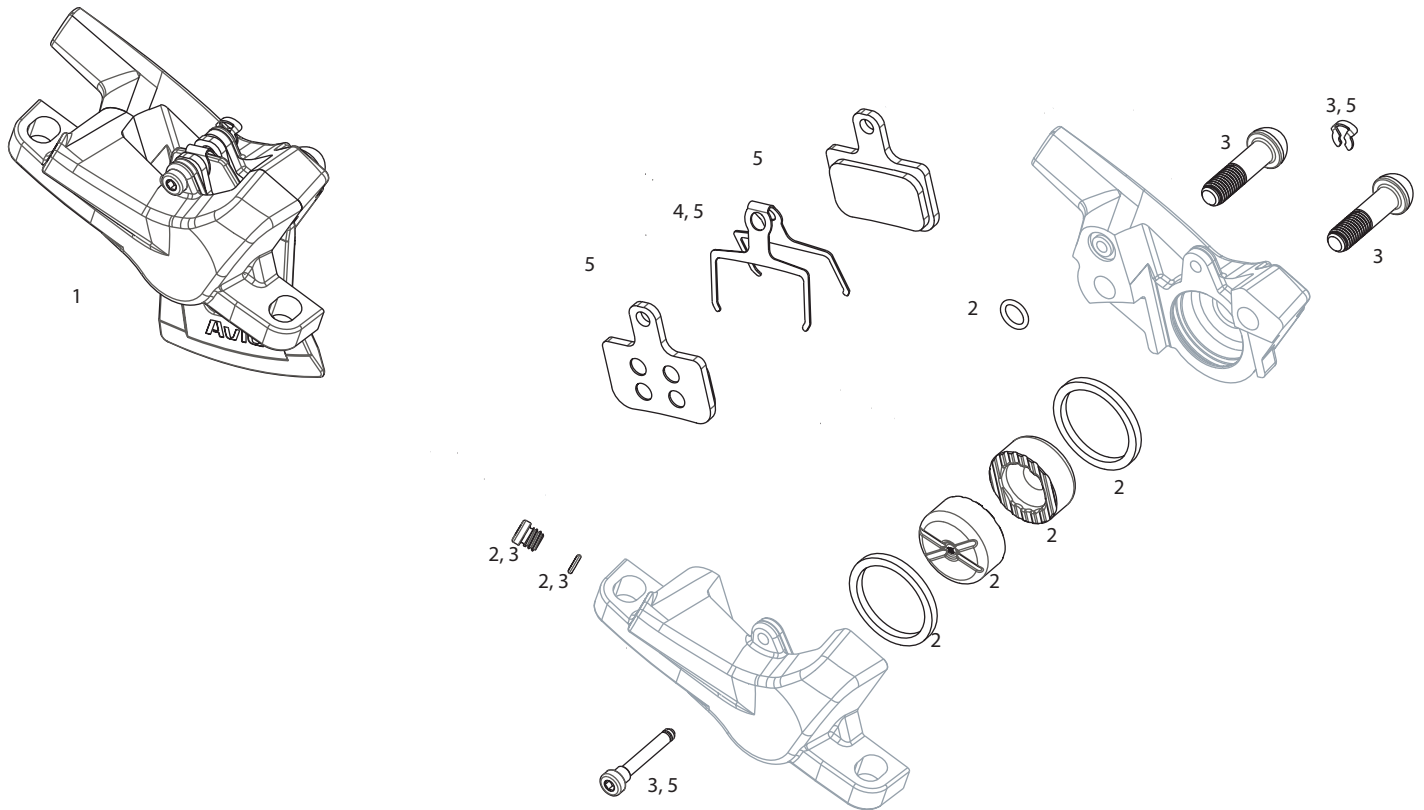
NO.	PART NUMBER	
	CALIPER SPARES	
1	11.5018.020.000	DISC BRAKE CALIPER PISTON KIT - (INCLUDES 2-21MM CALIPER PISTONS, SEALS & O-RINGS) - DB5
2	11.5015.035.000	DISC BRAKE PAD H-SPRING - (QTY 2) - ELIXIR/DB/LEVEL ULT B1/LEVEL TLM B1/FORCE ETAP AXS
3	11.5015.036.000	DISC BRAKE PAD PIN KIT - BLACK (QTY 2) - ELIXIR
4	11.5018.008.018	DISC BRAKE CALIPER ASSEMBLY - (ASSEMBLED, NO HOSE) BLACK - DB5
NO.	PART NUMBER	
	BRAKE PADS	
5	00.5315.035.010	Disc Brake Pads - Sintered/Steel (Powerful) - Elixir/DB/Level TL/Level T/Level/Level ULT/TLM B1 (2020+)
5	00.5315.035.020	Disc Brake Pads - Organic/Aluminum (Quiet/Light) - Elixir/DB/Level TL/Level T/Level/Level ULT/TLM B1 (2020+)
NO.	PART NUMBER	
	HYDRAULIC LINES & FITTING	
ns	00.5016.168.130	HYDRAULIC LINE KIT - G2/GUIDE RSC/GUIDE RS/GUIDE R/DB5/LEVEL TL, 2000MM, STAINLESS, BLACK, QTY 1
ns	00.5016.168.140	HYDRAULIC LINE KIT - G2/GUIDE RSC/GUIDE RS/GUIDE R/DB5/LEVEL TL, 2000MM, STAINLESS, WHITE, QTY 1
ns	11.5309.766.000	DISC BRAKE COMPRESSION HOSE NUT - (QTY 5)
ns	11.5378.803.004	DISC BRAKE HOSE FITTING KIT - (INCLUDES 1 THREADED HOSE BARB, 1 RED COMP FITTING) - AVID & SRAM BRAKES



LEVEL - HYDRAULIC DISC BRAKE - CALIPERS A1 (2017-2020)



DB-LVL-A1



NOTES:

1. Level caliper uses 20mm Pistons

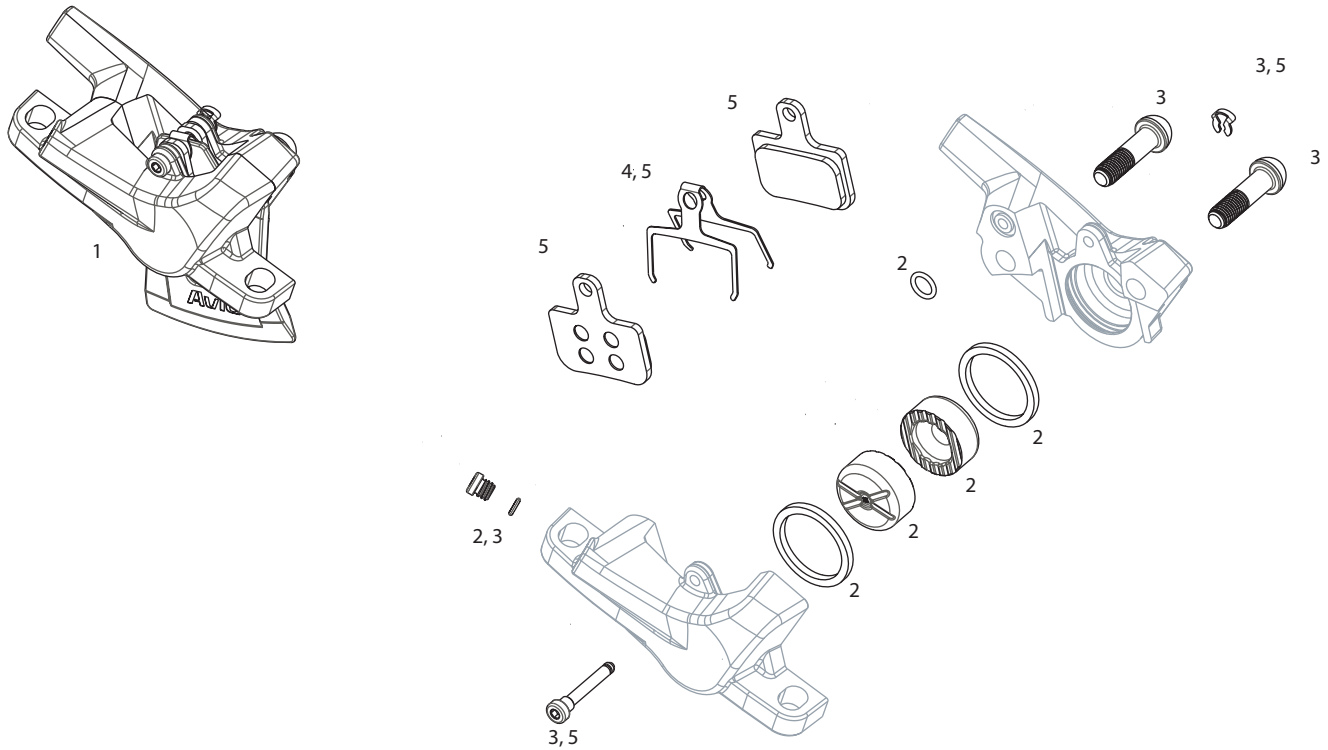
NO.	PART NUMBER	
CALIPER SPARES		
1	11.5018.008.026	DISC BRAKE CALIPER ASSEMBLY - (ASSEMBLED, NO HOSE) BLACK - LEVEL
2	11.5018.020.003	DISC BRAKE CALIPER PISTON KIT - (INCLUDES 2-20MM CALIPER PISTONS, SEALS & O-RINGS) - LEVEL
3	11.5018.021.004	DISC BRAKE CALIPER HARDWARE KIT - (INCLUDES BODY BOLTS, BLEED SCREW, PAD PIN) - LEVEL
4	11.5015.035.000	DISC BRAKE PAD H-SPRING - (QTY 2) - ELIXIR/DB/LEVEL ULT B1/LEVEL TLM B1/FORCE ETAP AXS
BRAKE PADS		
5	00.5315.035.010	Disc Brake Pads - Sintered/Steel (Powerful) - Elixir/DB/Level TL/Level T/Level/Level ULT/TLM B1 (2020+)
5	00.5315.035.020	Disc Brake Pads - Organic/Aluminum (Quiet/Light) - Elixir/DB/Level TL/Level T/Level/Level ULT/TLM B1 (2020+)
5	00.5315.035.031	Disc Brake Pads - Organic/Steel (Powerful) - Elixir/DB/Level TL/Level T/Level/Level ULT/TLM B1 (2020+)
HYDRAULIC LINES & FITTING		
ns	00.5016.168.010	HYDRAULIC LINE KIT - CODE/CODE R/ELIXIR 3/ELIXIR 1/JUICY 3/DB 3/DB 1/LEVEL T/LEVEL/GUIDE RE, 2000MM, BLACK, QTY 1
ns	00.5016.168.020	HYDRAULIC LINE KIT - CODE/CODE R/ELIXIR 3/ELIXIR 1/JUICY 3/DB 3/DB 1/LEVEL T/LEVEL/GUIDE RE, 2000MM, WHITE, QTY 1
ns	11.5309.766.000	DISC BRAKE COMPRESSION HOSE NUT - (QTY 5)
ns	11.5378.803.004	DISC BRAKE HOSE FITTING KIT - (INCLUDES 1 THREADED HOSE BARB, 1 RED COMP FITTING) - AVID & SRAM BRAKES



LEVEL T - HYDRAULIC DISC BRAKE - CALIPERS A1 (2017-2020)



DB-LVL-T-A1



NOTES:

1. Level T caliper uses 21mm Pistons

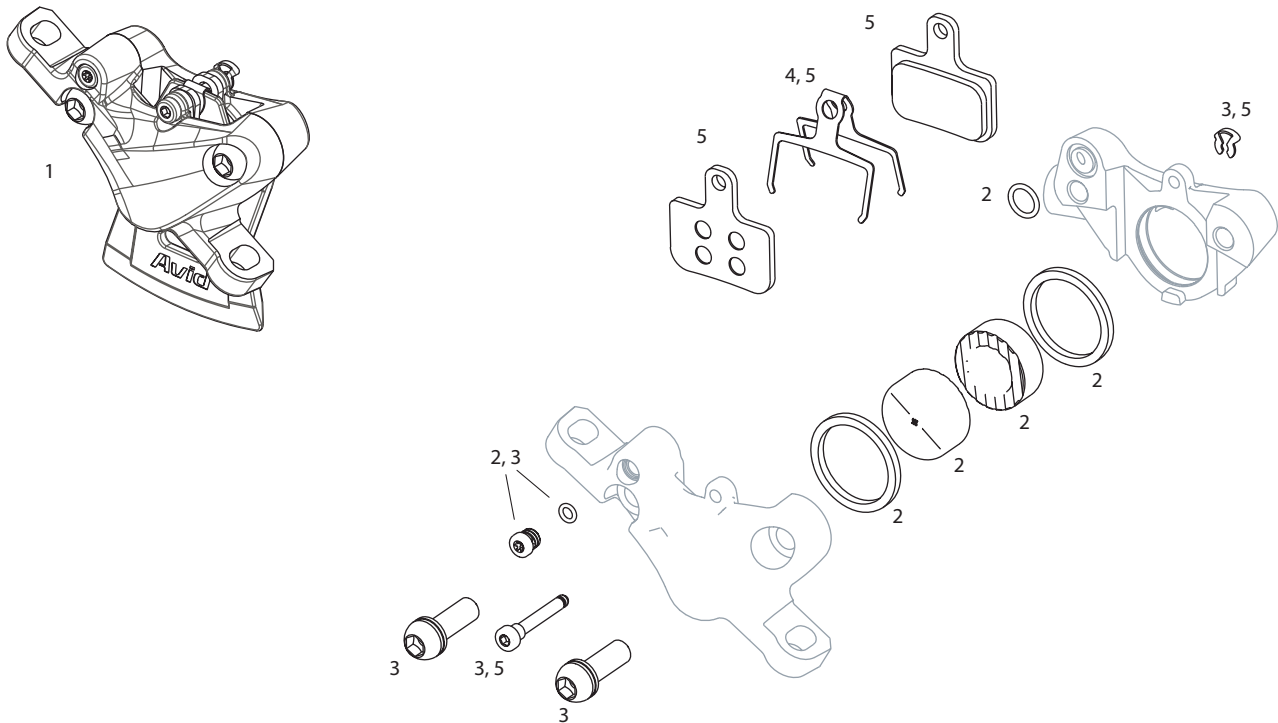
CALIPER SPARES	
NO.	PART NUMBER
CALIPER SPARES	
1	11.5018.008.027 DISC BRAKE CALIPER ASSEMBLY - (ASSEMBLED, NO HOSE) BLACK - LEVEL T
2	11.5018.020.004 DISC BRAKE CALIPER PISTON KIT - (INCLUDES 2-21MM CALIPER PISTONS, SEALS & O-RINGS) - LEVEL TL/T
3	11.5018.021.005 DISC BRAKE CALIPER HARDWARE KIT - (INCLUDES BODY BOLTS, BLEED SCREW, PAD PIN) - LEVEL T
4	11.5015.035.000 DISC BRAKE PAD H-SPRING - (QTY 2) - ELIXIR/DB/LEVEL ULT B1/LEVEL TLM B1/FORCE ETAP AXS
BRAKE PADS	
5	00.5315.035.010 Disc Brake Pads - Sintered/Steel (Powerful) - Elixir/DB/Level TL/Level T/Level/Level ULT/TLM B1 (2020+)
5	00.5315.035.020 Disc Brake Pads - Organic/Aluminum (Quiet/Light) - Elixir/DB/Level TL/Level T/Level/Level ULT/TLM B1 (2020+)
5	00.5315.035.031 Disc Brake Pads - Organic/Steel (Powerful) - Elixir/DB/Level TL/Level T/Level/Level ULT/TLM B1 (2020+)
HYDRAULIC LINES & FITTING	
ns	00.5016.168.010 HYDRAULIC LINE KIT - CODE/CODE R/ELIXIR 3/ELIXIR 1/JUICY 3/DB 3/DB 1/LEVEL T/LEVEL/GUIDE RE, 2000MM, BLACK, QTY 1
ns	00.5016.168.020 HYDRAULIC LINE KIT - CODE/CODE R/ELIXIR 3/ELIXIR 1/JUICY 3/DB 3/DB 1/LEVEL T/LEVEL/GUIDE RE, 2000MM, WHITE, QTY 1
ns	11.5309.766.000 DISC BRAKE COMPRESSION HOSE NUT - (QTY 5)
ns	11.5378.803.004 DISC BRAKE HOSE FITTING KIT - (INCLUDES 1 THREADED HOSE BARB, 1 RED COMP FITTING) - AVID & SRAM BRAKES

\$2.62

LEVEL TL - HYDRAULIC DISC BRAKE - CALIPERS A1 (2017-2020)



DB-LVL-TL-A1



NOTES:

1. Level TL caliper uses 21mm Pistons

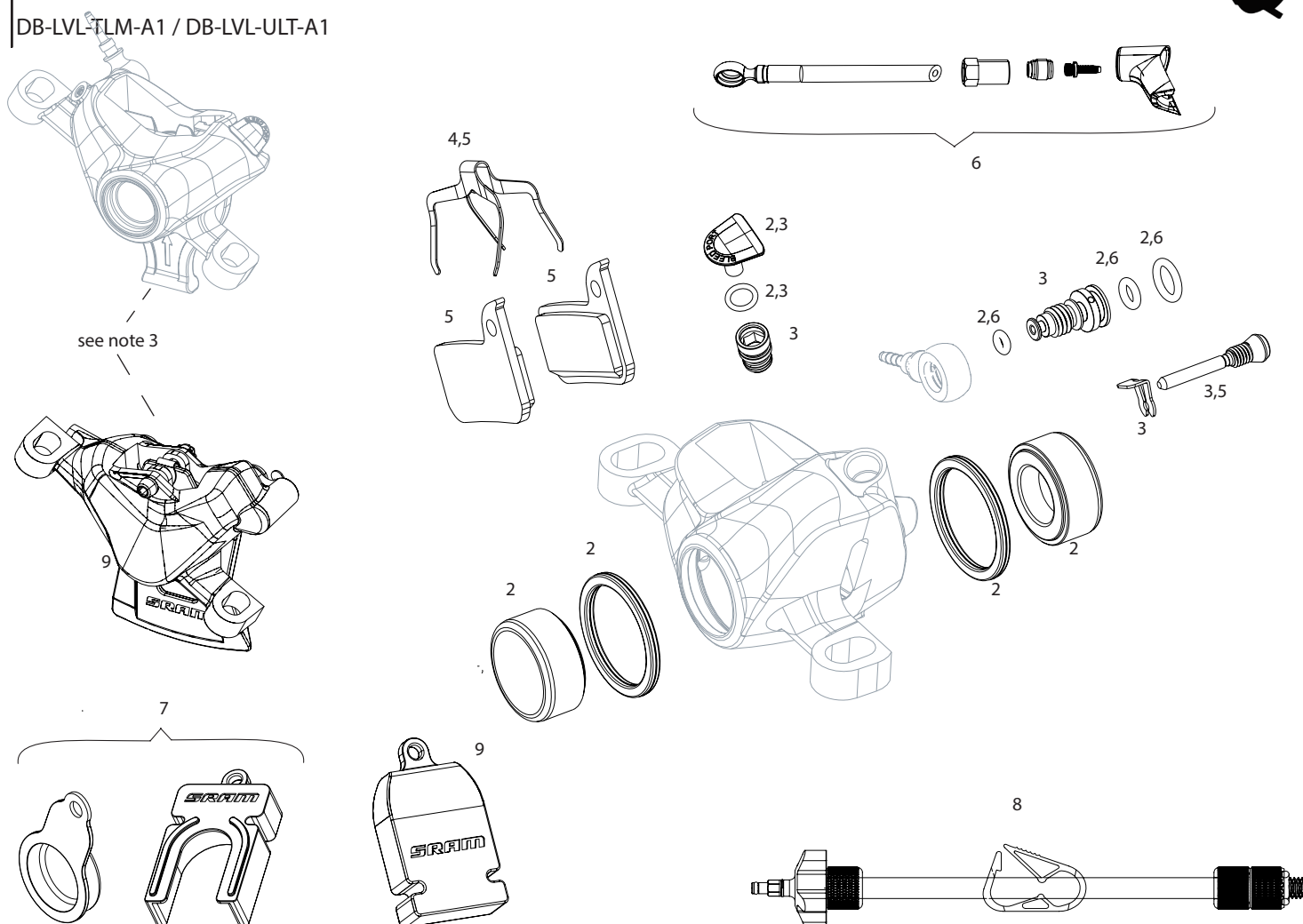
NO.	PART NUMBER	DESCRIPTION
CALIPER SPARES		
1	11.5018.008.028	DISC BRAKE CALIPER ASSEMBLY - (ASSEMBLED, NO HOSE) BLACK - LEVEL TL
2	11.5018.020.004	DISC BRAKE CALIPER PISTON KIT - (INCLUDES 2-21MM CALIPER PISTONS, SEALS & O-RINGS) - LEVEL TL/T
3	11.5018.021.006	DISC BRAKE CALIPER HARDWARE KIT - (INCLUDES BODY BOLTS, BLEED SCREW, PAD PIN) - LEVEL TL
4	11.5015.035.000	DISC BRAKE PAD H-SPRING - (QTY 2) - ELIXIR/DB/LEVEL ULT B1/LEVEL TLM B1/FORCE ETAP AXS
BRAKE PADS		
5	00.5315.035.010	Disc Brake Pads - Sintered/Steel (Powerful) - Elixir/DB/Level TL/Level T/Level/Level ULT/TLM B1 (2020+)
5	00.5315.035.020	Disc Brake Pads - Organic/Aluminum (Quiet/Light) - Elixir/DB/Level TL/Level T/Level/Level ULT/TLM B1 (2020+)
5	00.5315.035.031	Disc Brake Pads - Organic/Steel (Powerful) - Elixir/DB/Level TL/Level T/Level/Level ULT/TLM B1 (2020+)
HYDRAULIC LINES & FITTING		
ns	00.5016.168.130	HYDRAULIC LINE KIT - G2/GUIDE RSC/GUIDE RS/GUIDE R/DB5/LEVEL TL, 2000MM, STAINLESS, BLACK, QTY 1
ns	00.5016.168.140	HYDRAULIC LINE KIT - G2/GUIDE RSC/GUIDE RS/GUIDE R/DB5/LEVEL TL, 2000MM, STAINLESS, WHITE, QTY 1
ns	11.5309.766.000	DISC BRAKE COMPRESSION HOSE NUT - (QTY 5)
ns	11.5378.803.004	DISC BRAKE HOSE FITTING KIT - (INCLUDES 1 THREADED HOSE BARB, 1 RED COMP FITTING) - AVID & SRAM BRAKES



LEVEL TLM/ULTIMATE - HYDRAULIC DISC BRAKE - CALIPERS A1 (2017-2019)



DB-LVL-TLM-A1 / DB-LVL-ULT-A1



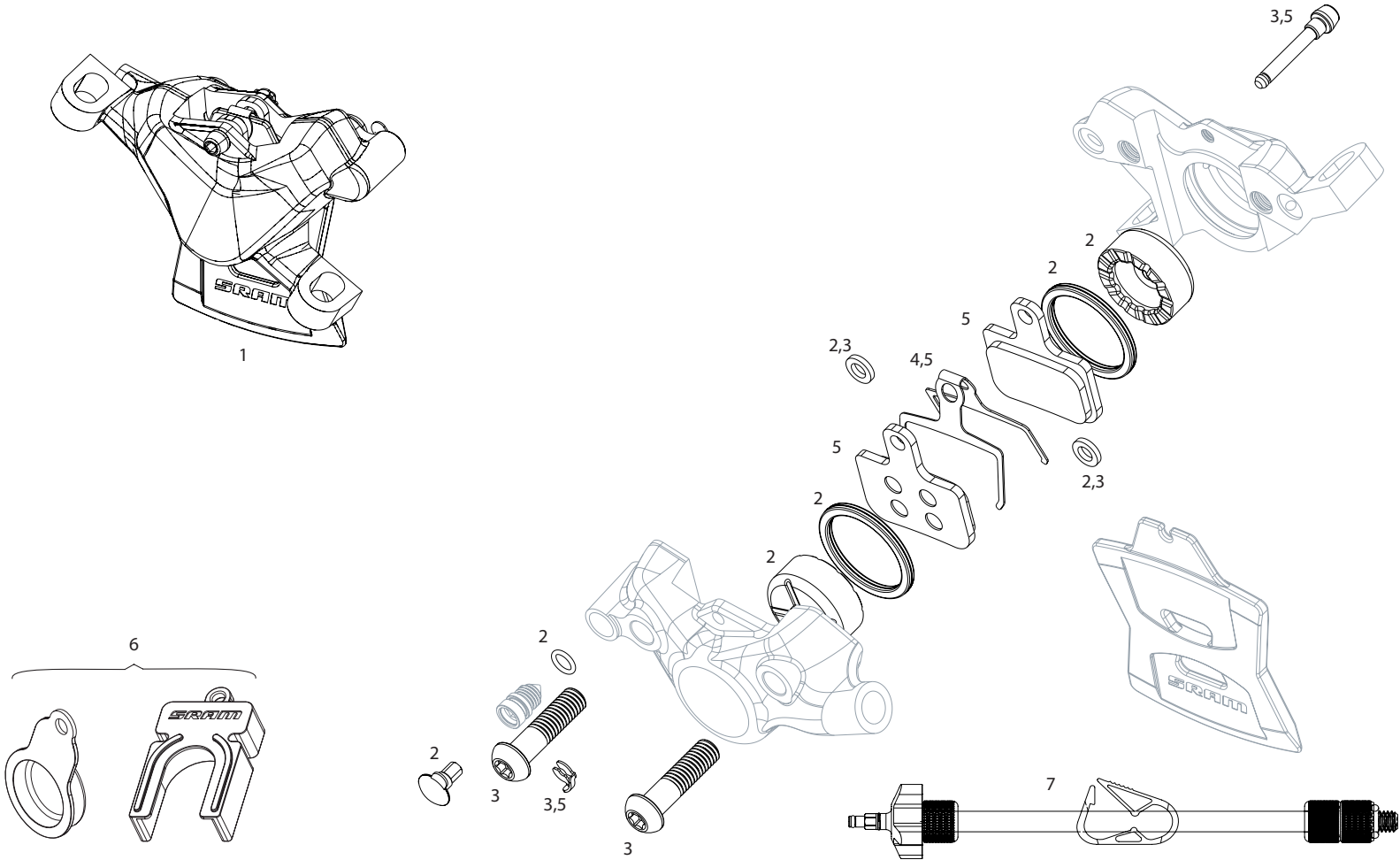
NOTES:

1. Monoblock Caliper requires Bleeding Edge tool to bleed hydraulic line.
2. Monoblock Caliper requires Caliper Piston Removal Tool to remove pistons and access piston seals.
3. Replacement for the Monoblock caliper assembly is the new 2-piece Level caliper B1 assembly.

NO.	PART NUMBER	
	CALIPER SPARES	
2	11.5018.020.005	DISC BRAKE CALIPER PISTON KIT - (INCLUDES MONOBLOCK PISTON TOOL, 2-21MM ALUMINUM CALIPER PISTONS, SEALS & O-RINGS) - LEVEL ULTIMATE/TLM (A1), ETAP HRD
3	11.5018.057.002	DISC BRAKE CALIPER HARDWARE KIT - (INCLUDES BLEED SCREW, BANJO SCREW, PAD PIN) - LEVEL ULTIMATE/TLM A1
4	11.5018.006.000	DISC BRAKE PAD H-SPRING - (QTY 2) - XO TRAIL, GUIDE S4/ULT, G2 R/RS/RSC/ULT
4	11.5018.006.002	DISC BRAKE PAD H-SPRING - (QTY 2) MONOBLOCK - LEVEL ULTIMATE/TLM (A1) QTY 2
9	11.5018.056.003	DISC BRAKE CALIPER ASSEMBLY - (ASSEMBLED, NO HOSE) DIFFUSION BLACK - LEVEL TLM A1+ (2017+)
NO.	PART NUMBER	
	BRAKE PADS	
5	00.5318.010.002	DISC BRAKE PADS - ORGANIC/STEEL (QUIET) – MONOBLOCK - SRAM HYDRAULIC ROAD DISC, LEVEL ULTIMATE/TLM A1 (2017-2019)
5	00.5318.010.003	DISC BRAKE PADS - ORGANIC/ALUMINUM (QUIET/LIGHT) – MONOBLOCK – SRAM HYDRAULIC ROAD DISC, LEVEL ULTIMATE/TLM A1 (2017-2019)
5	00.5318.010.004	DISC BRAKE PADS - SINTERED/STEEL (POWERFUL) – MONOBLOCK - SRAM HYDRAULIC ROAD DISC, LEVEL ULTIMATE/TLM A1 (2017-2019)
NO.	PART NUMBER	
	HYDRAULIC LINES & FITTING	
6	00.5016.168.170	HYDRAULIC LINE KIT - MONOBLOCK, 2000MM, BLACK, QTY 1 - LEVEL ULTIMATE/LEVEL TLM (A1), CODE R/RSC B1 (2018+)
ns	11.5309.766.000	DISC BRAKE COMPRESSION HOSE NUT - (QTY 5)
ns	11.5378.803.004	DISC BRAKE HOSE FITTING KIT - (INCLUDES 1 THREADED HOSE BARB, 1 RED COMP FITTING) - AVID & SRAM BRAKES
NO.	PART NUMBER	
	TOOLS	
7	00.5318.026.000	SRAM MONOBLOCK CALIPER 21MM PISTON REMOVAL TOOL (INCLUDES PLUG & REMOVAL BLOCK) - LEVEL ULTIMATE/TLM/ ETAP HRD
8	00.5318.015.001	SRAM TOOL BLEEDING EDGE (WORKS WITH AVID/SRAM PRO BLEED KITS) -S4/MONOBLOCK CALIPERS, GUIDE ULTIMATE/RSC/RS/R (B1)/T (A1)/LEVEL ULT/ TLM (A1)/G2

LEVEL TLM/ULTIMATE - HYDRAULIC DISC BRAKE - CALIPERS B1 (2020-)

DB-LVL-TLM-B1 / DB-LVL-ULT-B1

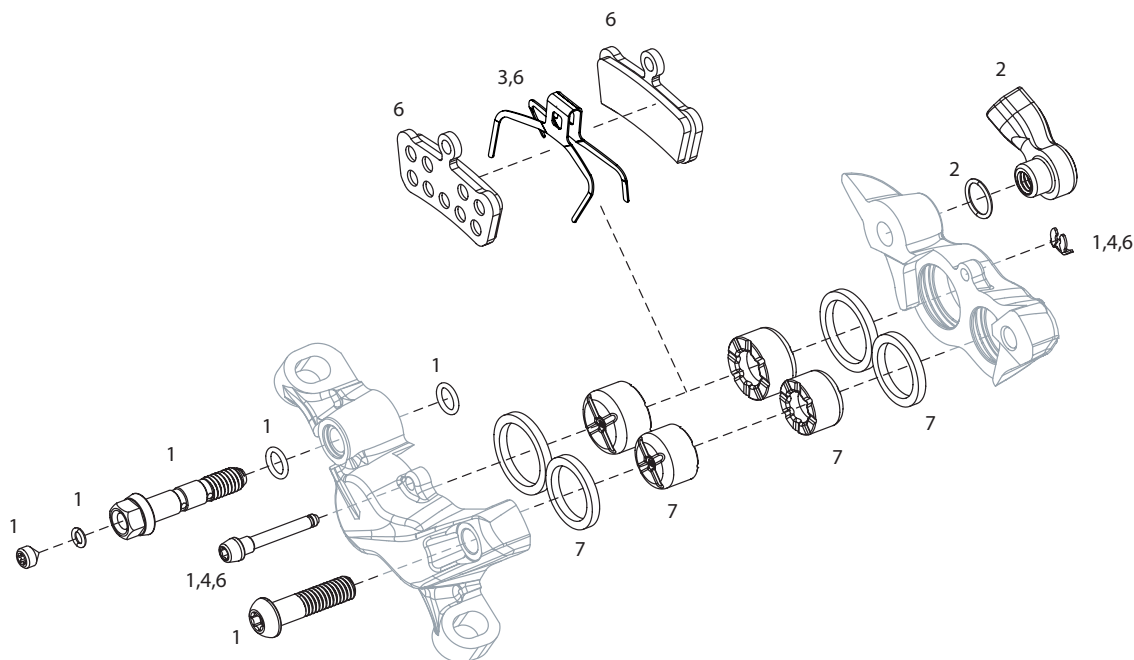
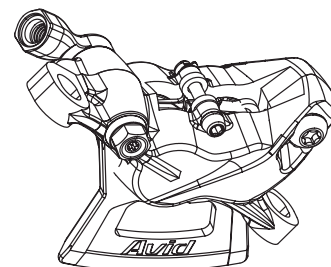


NO.	PART NUMBER	DESCRIPTION
CALIPER SPARES		
1	11.5018.056.002	DISC BRAKE CALIPER ASSEMBLY - (ASSEMBLED, NO HOSE) BLACK - LEVEL ULTIMATE A1+ (2017+)
1	11.5018.056.003	DISC BRAKE CALIPER ASSEMBLY - (ASSEMBLED, NO HOSE) DIFFUSION BLACK - LEVEL TLM A1+ (2017+)
2	11.5018.058.000	DISC BRAKE CALIPER PISTON KIT - (INCLUDES 2-21MM PHENOLIC CALIPER PISTONS, SEALS & O-RINGS) - LEVEL ULTIMATE/TLM B1, FORCE ETAP AXS
3	11.5018.057.001	DISC BRAKE CALIPER HARDWARE KIT - (INCLUDES STAINLESS MOUNTING BOLTS, CLIP, CALIPER BODY SEALS AND PAD PIN) - LEVEL TLM/ULTIMATE B1
4	11.5015.035.000	DISC BRAKE PAD H-SPRING - (QTY 2) - ELIXIR/DB/LEVEL ULT B1/LEVEL TLM B1/FORCE ETAP AXS
4	11.5015.069.210	DISC BRAKE PAD H-SPRING - (QTY 20) - ELIXIR/LEVEL ULT B1/LEVEL TLM B1/FORCE ETAP AXS
BRAKE PADS		
5	00.5315.035.010	DISC BRAKE PADS - SINTERED/STEEL (POWERFUL) - ELIXIR/DB/LEVEL TL/LEVEL T/LEVEL/LEVEL ULT/TLM B1 (2020+)
5	00.5315.035.020	DISC BRAKE PADS - ORGANIC/ALUMINUM (QUIET/LIGHT) - ELIXIR/DB/LEVEL TL/LEVEL T/LEVEL/LEVEL ULT/TLM B1 (2020+)
5	00.5315.035.031	DISC BRAKE PADS - ORGANIC/STEEL (POWERFUL) - ELIXIR/DB/LEVEL TL/LEVEL T/LEVEL/LEVEL ULT/TLM B1 (2020+)
HYDRAULIC LINES & FITTING		
ns	00.5016.168.010	HYDRAULIC LINE KIT - CODE/CODE R/ELIXIR 3/ELIXIR 1/JUICY 3/DB 3/DB 1/LEVEL ULT/TLM B1 (2020+)/LEVEL T/LEVEL/GUIDE RE/ BLACK, QTY 1
ns	00.5016.168.020	HYDRAULIC LINE KIT - CODE/CODE R/ELIXIR 3/ELIXIR 1/JUICY 3/DB 3/DB 1/LEVEL ULT/TLM B1 (2020+)/LEVEL T/LEVEL/GUIDE RE/ WHITE, 2000MM, WHITE, QTY 1
ns	11.5309.766.000	DISC BRAKE COMPRESSION HOSE NUT - (QTY 5)
ns	11.5378.803.004	DISC BRAKE HOSE FITTING KIT - (INCLUDES 1 THREADED HOSE BARB, 1 RED COMP FITTING) - AVID & SRAM BRAKES
TOOLS		
6	00.5318.026.000	SRAM MONOBLOCK CALIPER 21MM PISTON REMOVAL TOOL (INCLUDES PLUG & REMOVAL BLOCK) - LEVEL ULTIMATE/TLM/ ETAP HRD
7	00.5318.015.001	SRAM TOOL BLEEDING EDGE (WORKS WITH AVID/SRAM PRO BLEED KITS) -S4/MONOBLOCK CALIPERS, GUIDE ULTIMATE/RSC/RS/R (B1)/T (A1)/LEVEL ULT/ TLM (A1)/G2

GUIDE R/RS/RSC - HYDRAULIC DISC BRAKE - CALIPERS A1 (2015-2016)



DB-GDE-R-A1 / DB-GDE-RS-A1 / DB-GDE-RSC-A1



NOTES:

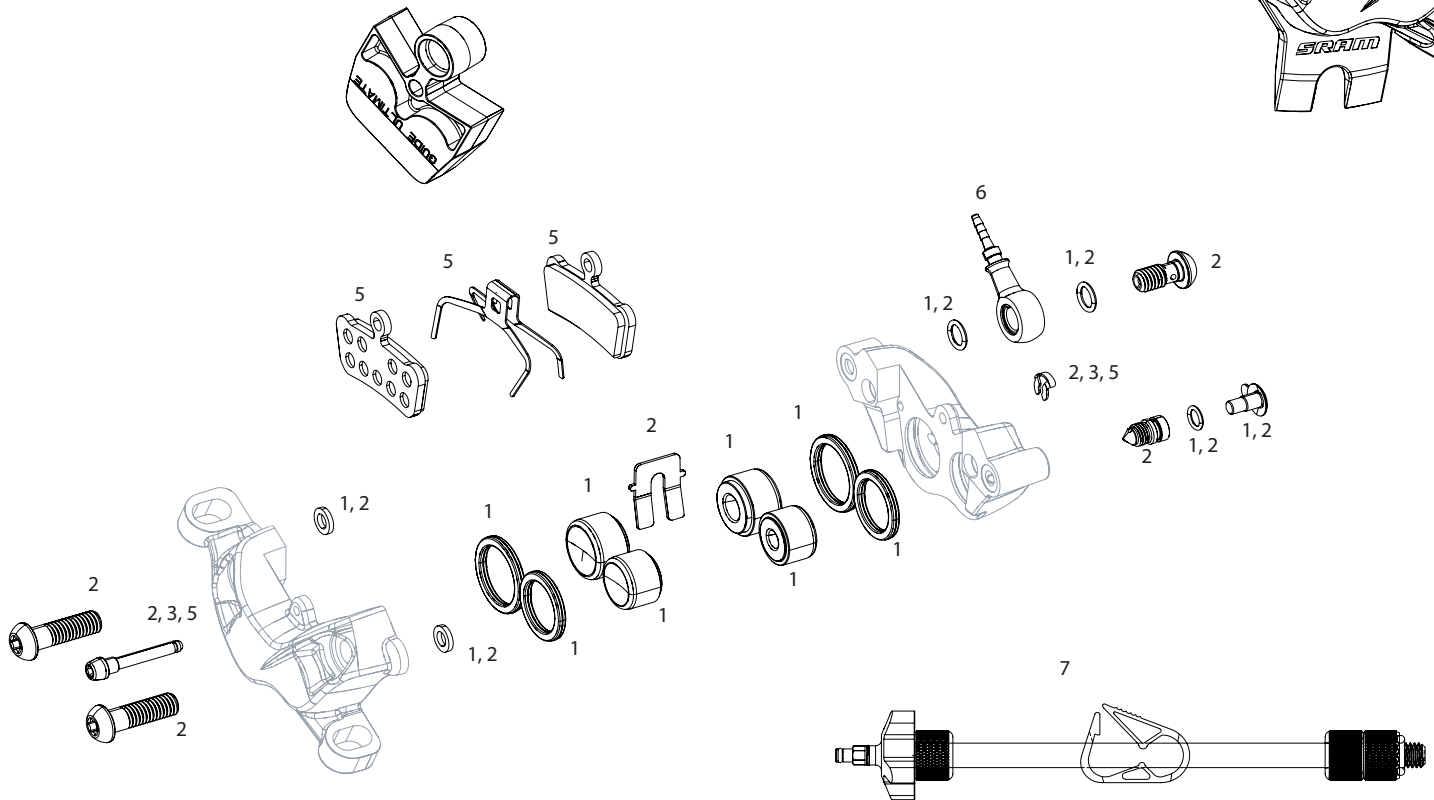
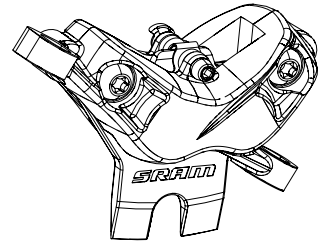
1. See lever pages for exploded view of Hydraulic Line kits

CALIPER SPARES	
1	11.5018.021.001 DISC BRAKE CALIPER HARDWARE KIT - (INCLUDES BLACK BODY BOLT, BANJO BOLT, BLEED SCREW, PAD PIN) - GUIDE R/RS
2	11.5015.060.020 DISC BRAKE CALIPER BANJO KIT - BLACK (QTY 1) -ELIXIR R/CR/CR MAG/X0/ELIXIR 9/ELIXIR 7/GUIDE R,RS,RSC
3	11.5018.006.000 DISC BRAKE PAD H-SPRING - (QTY 2) - XO TRAIL, GUIDE S4/ULT, G2 R/RS/RSC/ULT
4	11.5015.036.010 DISC BRAKE PAD PIN KIT - SILVER, STEEL, (QTY 2) - ELIXIR/CODE/GUIDE R,RE,RS,RSC
7	11.5018.020.006 DISC BRAKE CALIPER PISTON KIT - (INCLUDES 2-16MM & 2-14MM CALIPER PISTONS, SEALS & O-RINGS) - GUIDE R, RS, RSC(A1-B1), G2 RSC/ULT (A1)/G2 R/RS (A1)
NO.	PART NUMBER
BRAKE PADS	
6	00.5318.003.003 Disc Brake Pads - Organic/Aluminum (Quiet/Light) - Trail/GUIDE/G2
6	00.5318.003.004 Disc Brake Pads - Organic/Steel (Quiet) - Trail/GUIDE/G2
6	00.5318.003.005 Disc Brake Pads - Sintered/Steel (Powerful) - Trail/GUIDE/G2
NO.	PART NUMBER
HYDRAULIC LINES & FITTING	
ns	00.5016.168.130 HYDRAULIC LINE KIT - G2/GUIDE RSC/GUIDE RS/GUIDE R/DB5/LEVEL TL, 2000MM, STAINLESS, BLACK, QTY 1
ns	00.5016.168.140 HYDRAULIC LINE KIT - G2/GUIDE RSC/GUIDE RS/GUIDE R/DB5/LEVEL TL, 2000MM, STAINLESS, WHITE, QTY 1
ns	11.5309.766.000 DISC BRAKE COMPRESSION HOSE NUT - (QTY 5)
ns	11.5378.803.004 DISC BRAKE HOSE FITTING KIT - (INCLUDES 1 THREADED HOSE BARB, 1 RED COMP FITTING) - AVID & SRAM BRAKES



GUIDE R/RS/RSC - HYDRAULIC DISC BRAKE - S4 CALIPERS B1 R (2017-2020) - RS (2017-2019) - RSC (2017-2019)

DB-GDE-R-B1 DB-GDE-RS-B1 DB-GDE-RSC-B1



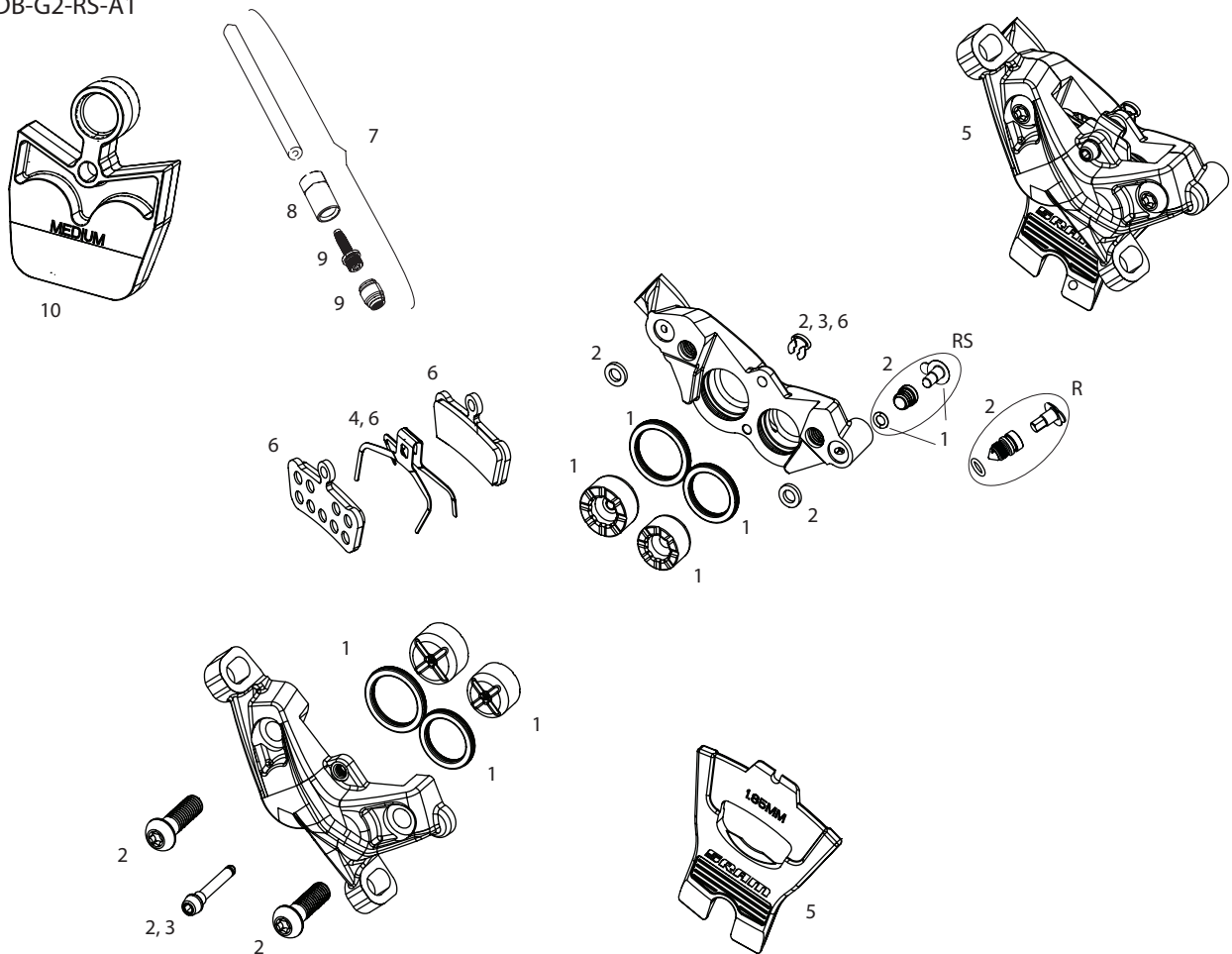
NOTES:

1. The B1 (2017) Generation was upgraded to the S4 caliper and uses S4 caliper kits & S4 Hydraulic Line Kit.
2. See lever pages for exploded view of Hydraulic Line kits
3. SRAM Tool Bleeding Edge needed to bleed S4 calipers

NO.	PART NUMBER	DESCRIPTION
CALIPER SPARES		
1	11.5018.020.006	DISC BRAKE CALIPER PISTON KIT - (INCLUDES 2-16MM & 2-14MM CALIPER PISTONS, SEALS & O-RINGS) - GUIDE R, RS, RSC(A1-B1), G2 RSC/ULT (A1)/G2 R/RS (A1)
2	11.5018.021.008	DISC BRAKE CALIPER HARDWARE KIT - (INCLUDES BLACKBODY BOLT, BANJO BOLT, BLEED SCREW, PAD PIN) S4 CALIPER - GUIDE R(B1)/RS(B1)/T(A1)
2	11.5018.021.009	DISC BRAKE CALIPER HARDWARE KIT - (INCLUDES STAINLESS BODY BOLT, BANJO BOLT, BLEED SCREW, PAD PIN) S4 CALIPER - GUIDE RSC(B1)
ns	11.5018.021.002	DISC BRAKE CALIPER HARDWARE KIT - (INCLUDES STAINLESS BODY BOLT, BANJO BOLT, BLEED SCREW, PAD PIN) - GUIDE RSC
3	11.5018.033.000	DISC BRAKE PAD PIN KIT - STAINLESS STEEL (QTY 2) S4 CALIPER CODE/GUIDE ULTIMATE/RSC (B1)/RS(B1)/R(B1), G2 R/RS/RSC/ULT (A1)
4	11.5018.008.033	DISC BRAKE CALIPER ASSEMBLY - (ASSEMBLED, NO HOSE) BLACK - GUIDE RSC (B1)
4	11.5018.008.034	DISC BRAKE CALIPER ASSEMBLY - (ASSEMBLED, NO HOSE) SILVER - GUIDE RSC (B1)
ns	11.5018.008.031	DISC BRAKE CALIPER ASSEMBLY - (ASSEMBLED, NO HOSE) BLACK - GUIDE R/RS (B1)
BRAKE PADS		
5	00.5318.003.003	DISC BRAKE PADS - ORGANIC/ALUMINUM (QUIET/LIGHT) - TRAIL/GUIDE/G2
5	00.5318.003.004	DISC BRAKE PADS - ORGANIC/STEEL (QUIET) - TRAIL/GUIDE/G2
5	00.5318.003.005	DISC BRAKE PADS - SINTERED/STEEL (POWERFUL) - TRAIL/GUIDE/G2
HYDRAULIC LINES & FITTING		
6	00.5016.168.150	HYDRAULIC LINE KIT - S4 CALIPER - GUIDE ULTIMATE/GUIDE RSC (B1)/GUIDE RS(B1)/GUIDE R(B1)/GUIDE T(A1)/G2, 2000MM, BLACK, QTY 1
ns	11.5309.766.000	DISC BRAKE COMPRESSION HOSE NUT - (QTY 5)
ns	11.5378.803.004	DISC BRAKE HOSE FITTING KIT - (INCLUDES 1 THREADED HOSE BARB, 1 RED COMP FITTING) - AVID & SRAM BRAKES
TOOLS		
7	00.5318.015.001	SRAM TOOL BLEEDING EDGE (WORKS WITH AVID/SRAM PRO BLEED KITS) -S4/MONOBLOCK CALIPERS, GUIDE ULTIMATE/RSC/RS/R (B1)/T (A1)/LEVEL ULT/TLM (A1)/G2

G2 R/RS - HYDRAULIC DISC BRAKE

DB-G2-R-A1 / DB-G2-RS-A1

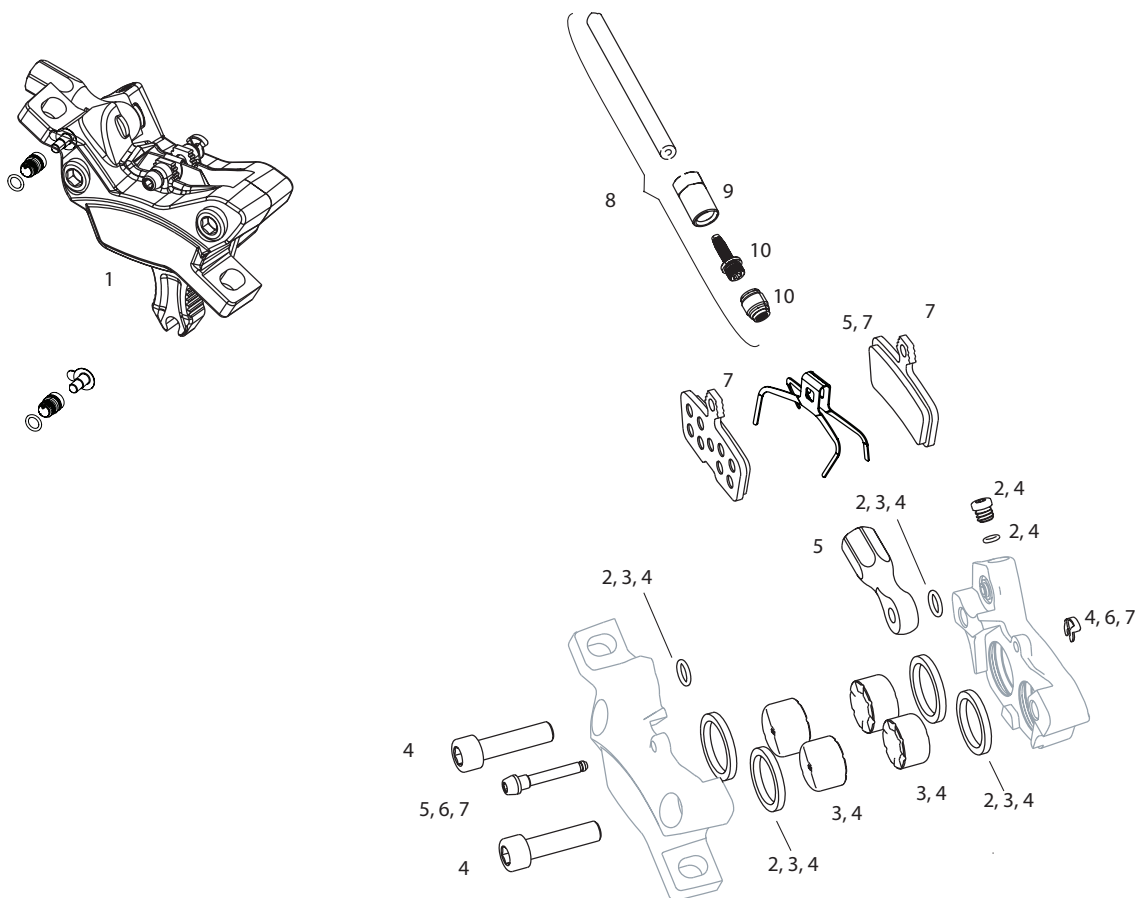


CALIPER SPARES		
NO.		
1	11.5018.020.006	DISC BRAKE CALIPER PISTON KIT - (INCLUDES 2-16MM & 2-14MM CALIPER PISTONS, SEALS & O-RINGS) - GUIDE R, RS, RSC(A1-B1), G2 RSC/ULT (A1)/G2 R/RS (A1)
2	11.5018.057.003	DISC BRAKE CALIPER HARDWARE KIT - (INCLUDES BLACK BODY BOLT, BANJO BOLT, BLEED SCREW, PAD PIN) - GUIDE R/RS
3	11.5018.033.000	DISC BRAKE PAD PIN KIT - STAINLESS STEEL (QTY 2) S4 CALIPER CODE/GUIDE ULTIMATE/RSC (B1)/RS(B1)/R(B1), G2 R/RS/RSC/ULT (A1)
4	11.5015.069.410	DISC BRAKE PAD H-SPRING - (QTY 20) - XO TRAIL, GUIDE S4/ULT, G2 R/RS/RSC/ULT
4	11.5018.006.000	DISC BRAKE PAD H-SPRING - (QTY 2) - XO TRAIL, GUIDE S4/ULT, G2 R/RS/RSC/ULT
5	11.5018.056.004	DISC BRAKE CALIPER ASSEMBLY (ASSEMBLED, NO HOSE) BLACK G2 RS (A1)
5	11.5018.056.005	DISC BRAKE CALIPER ASSEMBLY (ASSEMBLED, NO HOSE) BLACK G2 R (A1)
BRAKE PADS		
NO.		
6	00.5318.003.003	DISC BRAKE PADS - ORGANIC/ALUMINUM (QUIET/LIGHT) - TRAIL/GUIDE/G2
6	00.5318.003.004	DISC BRAKE PADS - ORGANIC/STEEL (QUIET) - TRAIL/GUIDE/G2
6	00.5318.003.005	DISC BRAKE PADS - SINTERED/STEEL (POWERFUL) - TRAIL/GUIDE/G2
6	00.5318.003.006	Disc Brake Pads - Organic/Steel (Powerful) - Trail/GUIDE/G2
HYDRAULIC LINES & FITTING		
NO.		
7	00.5016.168.010	Hydraulic Line Kit - Code/Code R/Elixir 3/Elixir 1/Juicy 3/DB 3/DB 1/Level ULT/TLM B1 (2020+)/Level T/Level/Guide RE/G2 R/RS, 2000mm, Black, Qty 1
7	00.5016.168.020	Hydraulic Line Kit - Code/Code R/Elixir 3/Elixir 1/Juicy 3/DB 3/DB 1/Level ULT/TLM B1 (2020+)/Level T/Level/Guide RE/G2 R/RS, 2000mm, White, Qty 1
8	11.5309.766.000	DISC BRAKE COMPRESSION HOSE NUT - (QTY 5)
9	11.5378.803.004	DISC BRAKE HOSE FITTING KIT - (INCLUDES 1 THREADED HOSE BARB, 1 RED COMP FITTING) - AVID & SRAM BRAKES
TOOLS		
NO.		
ns	00.5318.015.001	SRAM TOOL BLEEDING EDGE (WORKS WITH AVID/SRAM PRO BLEED KITS) -S4/MONOBLOCK CALIPERS, GUIDE ULTIMATE/RSC/RS/R (B1)/T (A1) /LEVEL ULT/ TLM (A1)/G2 ULT/RSC/RS (A1)
10	11.5018.059.000	DISC BRAKE BLEED BLOCK - MEDIUM - G2 (A1)

GUIDE RE - HYDRAULIC DISC BRAKE - CALIPERS A1(2017-2020)



DB-GDE-RE-A1



NOTES:

1. Guide RE brakes use Guide R styled Levers with Code-styled calipers.

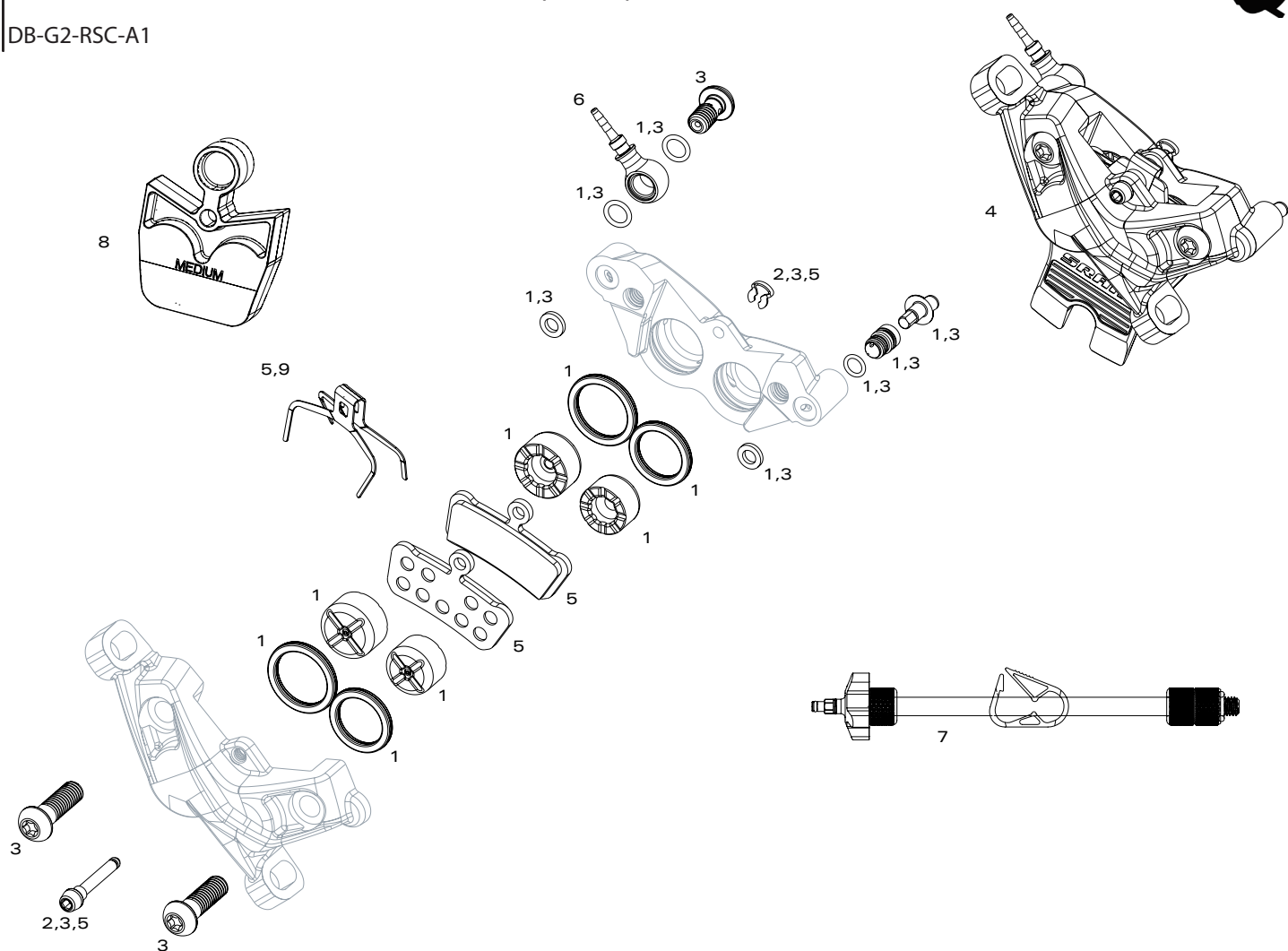
CALIPER SPARES		
NO.	PART NUMBER	
1	11.5018.008.032	DISC BRAKE CALIPER ASSEMBLY - (ASSEMBLED, NO HOSE) GREY - GUIDE RE (A1)
2	11.5015.068.010	DISC BRAKE CALIPER KIT - (INCLUDES PISTONS, SEALS & BLEED SCREWS) - CODE(2011-2017)/GUIDE RE
3	11.5015.068.020	DISC BRAKE CALIPER PISTON KIT - (INCLUDES PISTONS, SEALS)- CODE(2011-2017)/GUIDE RE
4	11.5015.068.040	DISC BRAKE CALIPER KIT - (INCLUDES PISTONS, SEALS, GUIDE PIN, BANJO & BOLTS) - CODE (2011-2017)/GUIDE RE
5	11.5015.068.050	DISC BRAKE PAD H-SPRING - (QTY 2) - CODE (2011-2017)/GUIDE RE
6	11.5015.036.010	DISC BRAKE PAD PIN KIT - SILVER, STEEL, (QTY 2) - ELIXIR/CODE/GUIDE R,RE,RS,RSC
BRAKE PADS		
NO.	PART NUMBER	
7	00.5315.023.010	Disc Brake Pads - Sintered/Steel (Powerful) - Code 2011+/ Guide RE
7	00.5315.023.020	Disc Brake Pads - Organic/Aluminum (Quiet/Light) - Code 2011+/ Guide RE
7	00.5315.023.030	Disc Brake Pads - Organic/Steel (Quiet) - Code 2011+/ GuideRE
HYDRAULIC LINES & FITTING		
NO.	PART NUMBER	
8	00.5016.168.010	HYDRAULIC LINE KIT - CODE/CODE R/ELIXIR 3/ELIXIR 1/JUICY 3/DB 3/DB 1/LEVEL T/LEVEL/GUIDE RE, 2000MM, BLACK, QTY 1
8	00.5016.168.020	HYDRAULIC LINE KIT - CODE/CODE R/ELIXIR 3/ELIXIR 1/JUICY 3/DB 3/DB 1/LEVEL T/LEVEL/GUIDE RE, 2000MM, WHITE, QTY 1
9	11.5309.766.000	DISC BRAKE COMPRESSION HOSE NUT - (QTY 5)
10	11.5378.803.004	DISC BRAKE HOSE FITTING KIT - (INCLUDES 1 THREADED HOSE BARB, 1 RED COMP FITTING) - AVID & SRAM BRAKES



G2 RSC - HYDRAULIC DISC BRAKE - A1 (2020-)

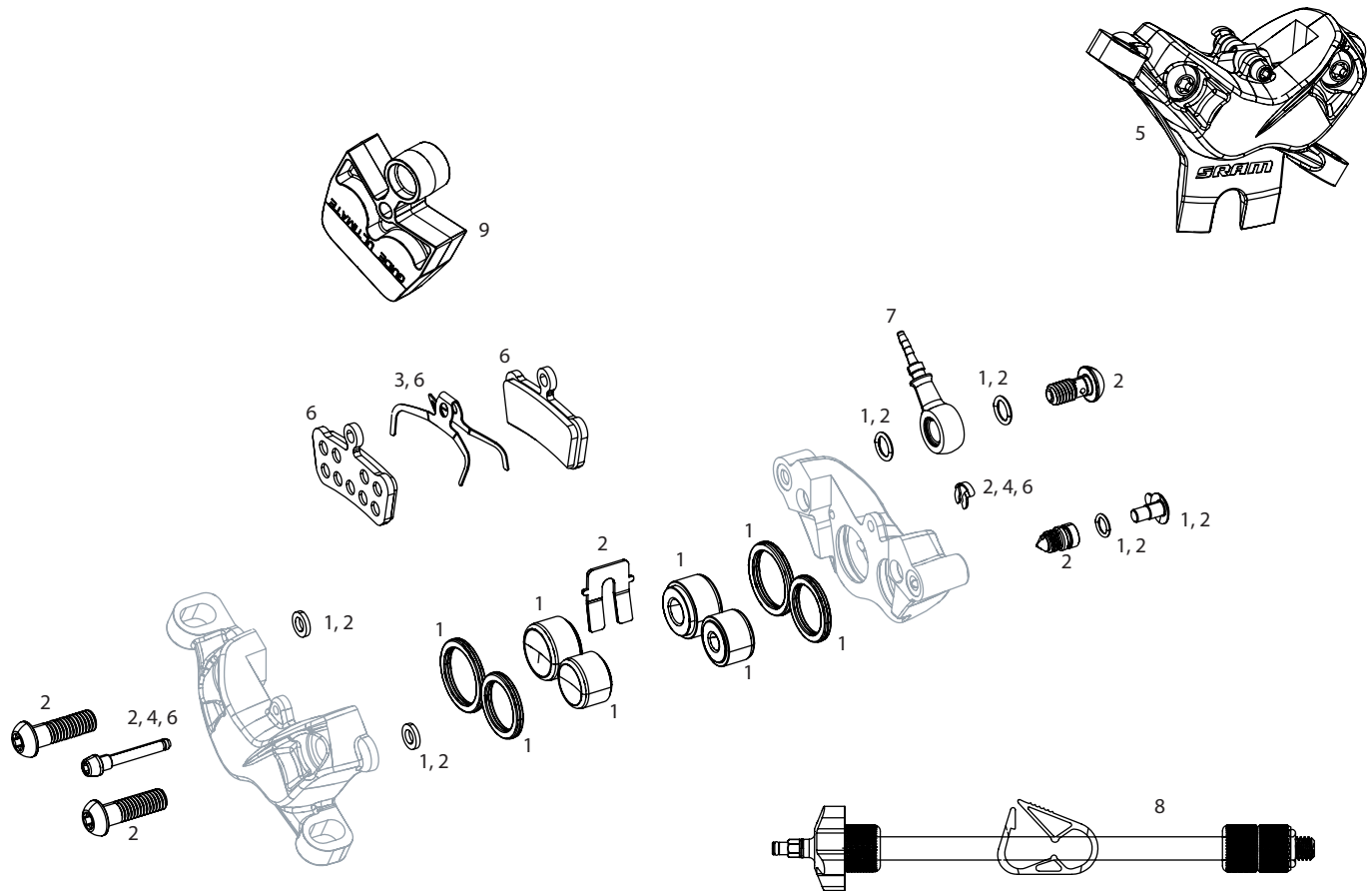


DB-G2-RSC-A1



NO.	PART NUMBER	DESCRIPTION
CALIPER SPARES		
1	11.5018.020.006	DISC BRAKE CALIPER PISTON KIT - (INCLUDES 2-16MM & 2-14MM CALIPER PISTONS, SEALS & O-RINGS) - GUIDE R, RS, RSC(A1-B1), G2 RSC/ULT (A1)/G2 R/RS (A1)
2	11.5018.033.000	DISC BRAKE PAD PIN KIT - STAINLESS STEEL (QTY 2) S4 CALIPER CODE/GUIDE ULTIMATE/RSC (B1)/RS(B1)/R(B1), G2 R/RS/RSC/ULT (A1)
3	11.5018.057.000	DISC BRAKE CALIPER HARDWARE KIT - (INCLUDES STAINLESS BODY BOLT, BANJO BOLT, SINGLE PORT BLEED SCREW, PAD PIN) S4 CALIPER - G2 RSC/ULT
4	11.5018.056.001	DISC BRAKE CALIPER ASSEMBLY - (ASSEMBLED, NO HOSE) DIFFUSION BLACK - G2 RSC (A1)
9	11.5018.006.000	DISC BRAKE PAD H-SPRING - (QTY 2) - XO TRAIL, GUIDE S4/ULT, G2 R/RS/RSC/ULT
BRAKE PADS		
5	00.5318.003.003	DISC BRAKE PADS - ORGANIC/ALUMINUM (QUIET/LIGHT) - TRAIL/GUIDE/G2
5	00.5318.003.004	DISC BRAKE PADS - ORGANIC/STEEL (QUIET) - TRAIL/GUIDE/G2
5	00.5318.003.005	DISC BRAKE PADS - SINTERED/STEEL (POWERFUL) - TRAIL/GUIDE/G2
5	00.5318.003.006	DISC BRAKE PADS - ORGANIC/STEEL (POWERFUL) - TRAIL/GUIDE/G2
HYDRAULIC LINES & FITTING		
6	00.5016.168.150	HYDRAULIC LINE KIT - S4 CALIPER - GUIDE ULTIMATE/GUIDE RSC (B1)/GUIDE RS(B1)/GUIDE R(B1)/GUIDE T(A1)/G2, 2000MM, BLACK, QTY 1
ns	11.5309.766.000	DISC BRAKE COMPRESSION HOSE NUT - (QTY 5)
ns	11.5378.803.004	DISC BRAKE HOSE FITTING KIT - (INCLUDES 1 THREADED HOSE BARB, 1 RED COMP FITTING) - AVID & SRAM BRAKES
TOOLS		
7	00.5318.015.001	SRAM TOOL BLEEDING EDGE (WORKS WITH AVID/SRAM PRO BLEED KITS) -S4/MONOBLOCK CALIPERS, GUIDE ULTIMATE/RSC/RS/R (B1)/T (A1)/LEVEL ULT/TLM (A1)/G2
8	11.5018.059.000	DISC BRAKE BLEED BLOCK - MEDIUM - G2 R/RS/RSC/ULTIMATE A1 (2020+)





NOTES:

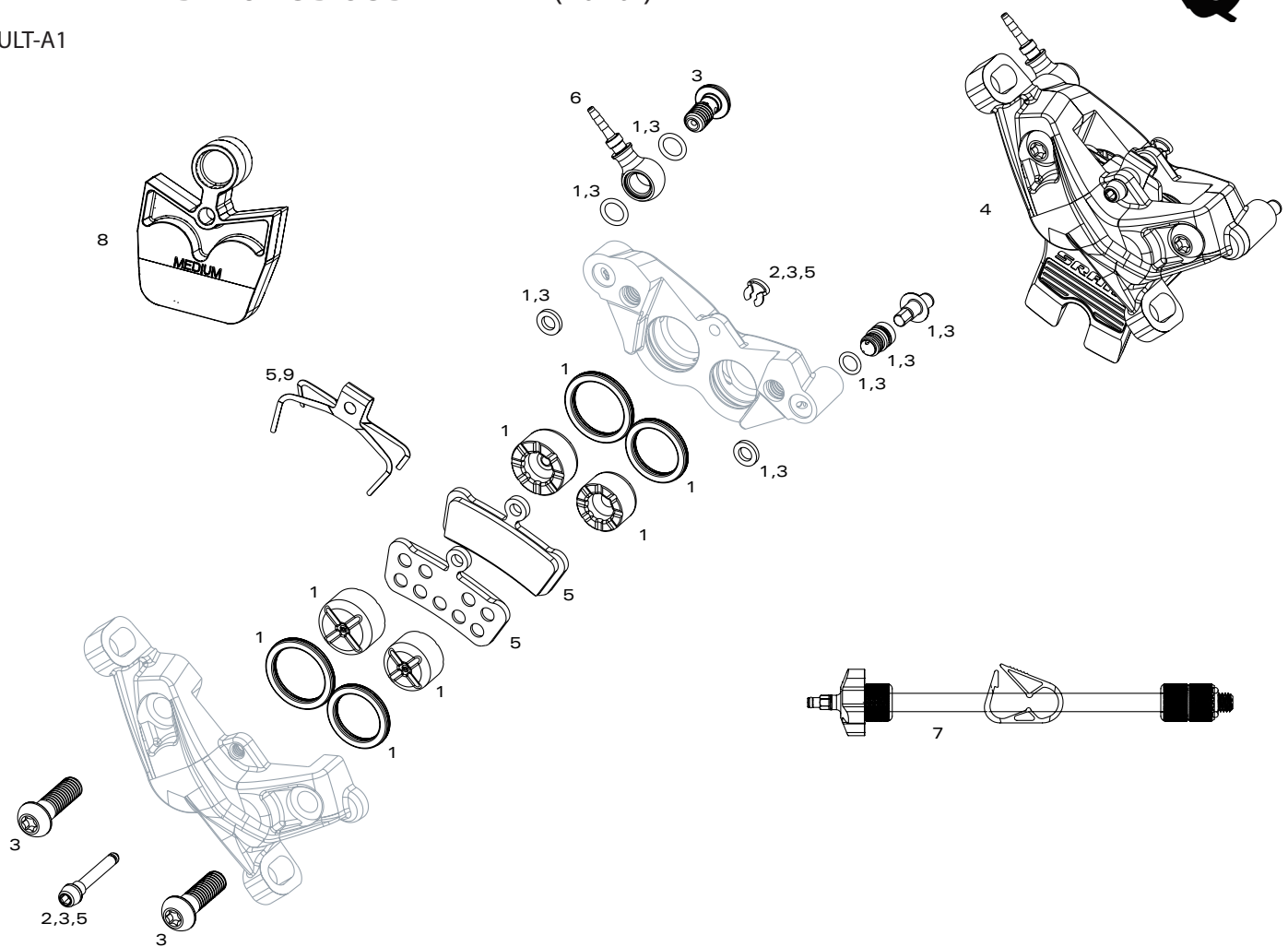
1. See lever pages for exploded view of Hydraulic Line kits
2. SRAM Tool Bleeding Edge needed to bleed GUIDE Ultimate brakes
3. Banjo only available in the Hydraulic Line Kit as it has a crimp factory fitting to attach it to the hose

CALIPER SPARES		
NO.	PART NUMBER	
1	11.5018.020.002	DISC BRAKE CALIPER PISTON KIT - (INCLUDES 2-16MM & 2-14MM ALUMINUM CALIPER PISTONS, SEALS & O-RINGS) - GUIDE ULTIMATE
3	11.5018.006.000	DISC BRAKE PAD H-SPRING - (QTY 2) - XO TRAIL, GUIDE S4/ULT, G2 R/RS/RSC/ULT
4	11.5018.033.000	DISC BRAKE PAD PIN KIT - STAINLESS STEEL (QTY 2) S4 CALIPER CODE/GUIDE ULTIMATE/RSC (B1)/RS(B1)/R(B1), G2 R/RS/RSC/ULT (A1)
5	11.5018.008.024	DISC BRAKE CALIPER ASSEMBLY - (ASSEMBLED, NO HOSE) ARTIC GREY - GUIDE ULTIMATE
5	11.5018.008.025	DISC BRAKE CALIPER ASSEMBLY - (ASSEMBLED, NO HOSE) BLACK - GUIDE ULTIMATE
BRAKE PADS		
NO.	PART NUMBER	
6	00.5318.003.003	DISC BRAKE PADS - ORGANIC/ALUMINUM (QUIET/LIGHT) - TRAIL/GUIDE/G2
6	00.5318.003.004	DISC BRAKE PADS - ORGANIC/STEEL (QUIET) - TRAIL/GUIDE/G2
6	00.5318.003.005	DISC BRAKE PADS - SINTERED/STEEL (POWERFUL) - TRAIL/GUIDE/G2
HYDRAULIC LINES & FITTING		
NO.	PART NUMBER	
7	00.5016.168.150	HYDRAULIC LINE KIT - S4 CALIPER - GUIDE ULTIMATE/GUIDE RSC (B1)/GUIDE RS(B1)/GUIDE R(B1)/GUIDE T(A1)/G2, 2000MM, BLACK, QTY1
ns	11.5309.766.000	DISC BRAKE COMPRESSION HOSE NUT - (QTY 5)
ns	11.5378.803.004	DISC BRAKE HOSE FITTING KIT - (INCLUDES 1 THREADED HOSE BARB, 1 RED COMP FITTING) - AVID & SRAM BRAKES
TOOLS		
NO.	PART NUMBER	
8	00.5318.015.001	SRAM TOOL BLEEDING EDGE (WORKS WITH AVID/SRAM PRO BLEED KITS) -S4/MONOBLOCK CALIPERS, GUIDE ULTIMATE/RSC/RS/R (B1)/T (A1)/LEVEL ULT/TLM (A1)/G2



G2 ULTIMATE - HYDRAULIC DISC BRAKE - A1 (2020-)

DB-G2-ULT-A1

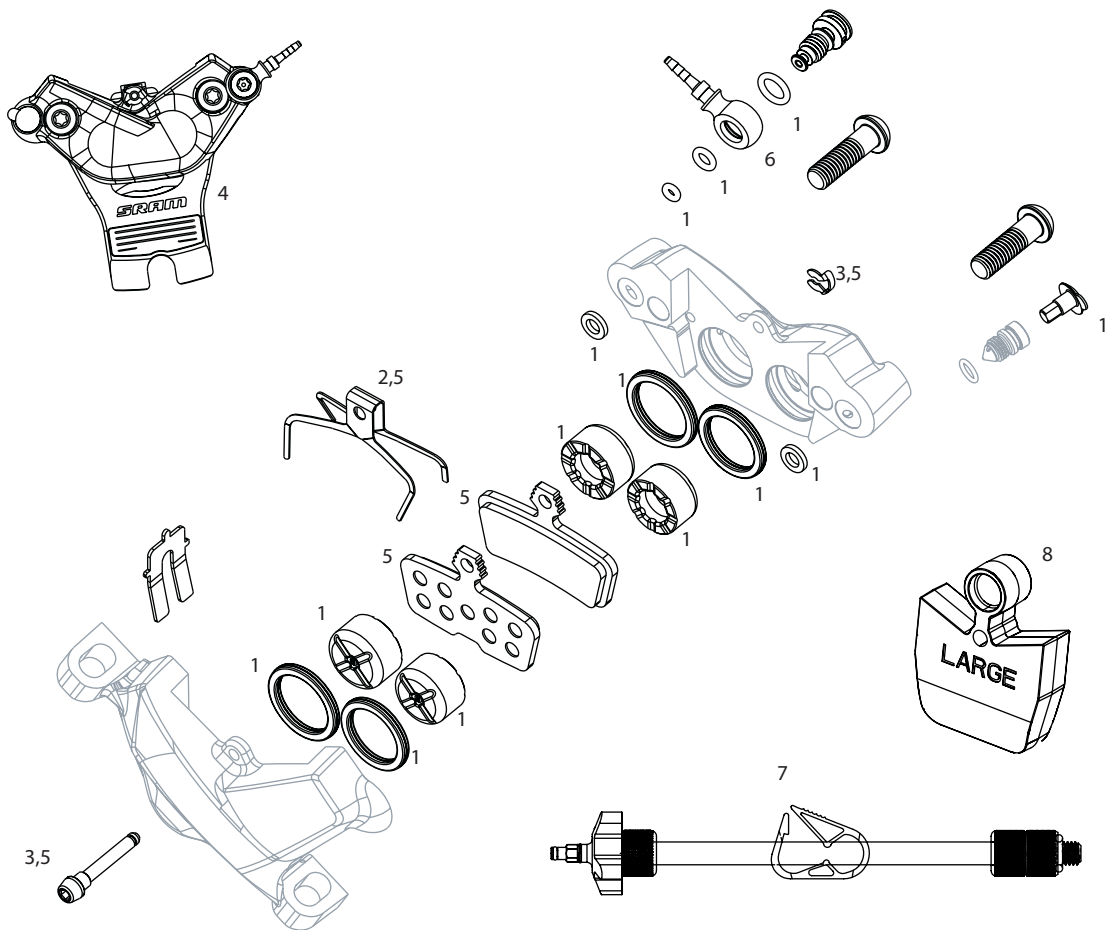


NO.	PART NUMBER	DESCRIPTION
CALIPER SPARES		
1	11.5018.020.006	DISC BRAKE CALIPER PISTON KIT - (INCLUDES 2-16MM & 2-14MM CALIPER PISTONS, SEALS & O-RINGS) - GUIDE R, RS, RSC(A1-B1), G2 RSC/ULT (A1)/G2 R/RS (A1)
2	11.5018.033.000	DISC BRAKE PAD PIN KIT - STAINLESS STEEL (QTY 2) S4 CALIPER CODE/GUIDE ULTIMATE/RSC (B1)/RS(B1)/R(B1), G2 R/RS/RSC/ULT (A1)
3	11.5018.057.000	DISC BRAKE CALIPER HARDWARE KIT - (INCLUDES STAINLESS BODY BOLT, BANJO BOLT, SINGLE PORT BLEED SCREW, PAD PIN) S4 CALIPER - G2 RSC/ULT
4	11.5018.056.000	DISC BRAKE CALIPER ASSEMBLY - (ASSEMBLED, NO HOSE) LUNAR GREY - G2 ULTIMATE
9	11.5018.006.000	DISC BRAKE PAD H-SPRING - (QTY 2) - XO TRAIL, GUIDE S4/ULT, G2 R/RS/RSC/ULT
BRAKE PADS		
5	00.5318.003.003	DISC BRAKE PADS - ORGANIC/ALUMINUM (QUIET/LIGHT) - TRAIL/GUIDE/G2
5	00.5318.003.004	DISC BRAKE PADS - ORGANIC/STEEL (QUIET) - TRAIL/GUIDE/G2
5	00.5318.003.005	DISC BRAKE PADS - SINTERED/STEEL (POWERFUL) - TRAIL/GUIDE/G2
5	00.5318.003.006	DISC BRAKE PADS - ORGANIC/STEEL (POWERFUL) - TRAIL/GUIDE/G2
HYDRAULIC LINES & FITTING		
6	00.5016.168.150	HYDRAULIC LINE KIT - S4 CALIPER - GUIDE ULTIMATE/GUIDE RSC (B1)/GUIDE RS(B1)/GUIDE R(B1)/GUIDE T(A1)/G2, 2000MM, BLACK, QTY 1
ns	11.5309.766.000	DISC BRAKE COMPRESSION HOSE NUT - (QTY 5)
ns	11.5378.803.004	DISC BRAKE HOSE FITTING KIT - (INCLUDES 1 THREADED HOSE BARB, 1 RED COMP FITTING) - AVID & SRAM BRAKES
TOOLS		
7	00.5318.015.001	SRAM TOOL BLEEDING EDGE (WORKS WITH AVID/SRAM PRO BLEED KITS) -S4/MONOBLOCK CALIPERS, GUIDE ULTIMATE/RSC/RS/R (B1)/T (A1)/LEVEL ULT/TLM (A1)/G2
8	11.5018.059.000	DISC BRAKE BLEED BLOCK - MEDIUM - G2 R/RS/RSC/ULTIMATE A1 (2020+)



CODE R- HYDRAULIC DISC BRAKE - CALIPERS B1(2018-2020)

DB-CODE-R-B1



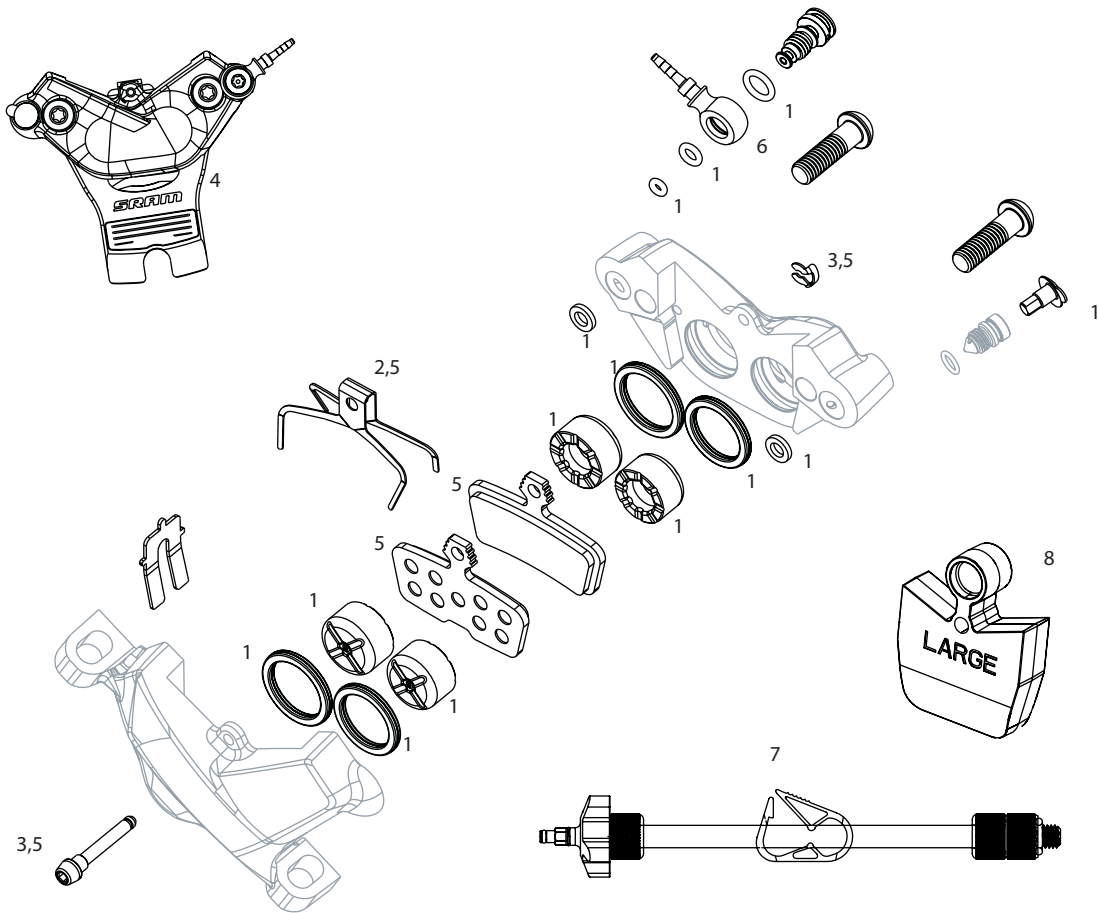
NOTES:

- 1. See lever pages for exploded view of Hydraulic Line kits
- 2. SRAM Tool Bleeding Edge needed to bleed Code brakes

CALIPER SPARES		
NO.	PART NUMBER	
1	11.5018.020.007	DISC BRAKE CALIPER PISTON KIT - (INCLUDES 2-16MM & 2-15MM CALIPER PISTONS, SEALS & O-RINGS) - CODE R B1/RSC A1
2	11.5015.068.050	DISC BRAKE PAD H-SPRING - (QTY 2) - CODE (2011-2017)/GUIDE RE
3	11.5015.036.040	DISC BRAKE PAD PIN KIT - BLACK, STEEL (QTY 2) - ELIXIR/CODE/GUIDE R,RS,RSC
4	11.5018.008.037	DISC BRAKE CALIPER ASSEMBLY - (ASSEMBLED, NO HOSE) BLACK - CODE R B1/RSC A1
4	11.5018.008.036	DISC BRAKE CALIPER ASSEMBLY - (ASSEMBLED, NO HOSE) DARK GREY - CODE R B1/RSC A1
BRAKE PADS		
NO.	PART NUMBER	
5	00.5315.023.010	DISC BRAKE PADS - SINTERED/STEEL (POWERFUL) - CODE 2011+/ GUIDE RE
5	00.5315.023.020	DISC BRAKE PADS - ORGANIC/ALUMINUM (QUIET/LIGHT) - CODE 2011+/ GUIDE RE
5	00.5315.023.030	DISC BRAKE PADS - ORGANIC/STEEL (QUIET) - CODE 2011+/ GUIDE RE
HYDRAULIC LINES & FITTING		
NO.	PART NUMBER	
ns	11.5309.766.000	DISC BRAKE COMPRESSION HOSE NUT - (QTY 5)
ns	11.5378.803.004	DISC BRAKE HOSE FITTING KIT - (INCLUDES 1 THREADED HOSE BARB, 1 RED COMP FITTING) - AVID & SRAM BRAKES
6	00.5016.168.170	HYDRAULIC LINE KIT - MONOBLOCK, 2000MM, BLACK, QTY 1 - LEVEL ULTIMATE/LEVEL TLM (A1), CODE R/RSC B1 (2018+)
NO.	PART NUMBER	
TOOLS		
7	00.5318.015.001	SRAM TOOL BLEEDING EDGE (WORKS WITH AVID/SRAM PRO BLEED KITS) -S4/MONOBLOCK CALIPERS, GUIDE ULTIMATE/RSC/RS/R (B1)/T (A1)/LEVEL ULT/ TLM (A1)/G2
8	11.5015.014.090	DISC BRAKE BLEED BLOCK - LARGE - CODE RSC/R B1

CODE RSC - HYDRAULIC DISC BRAKE - CALIPERS A1(2018-2020)

DB-CODE-RSC-A1



NOTES:

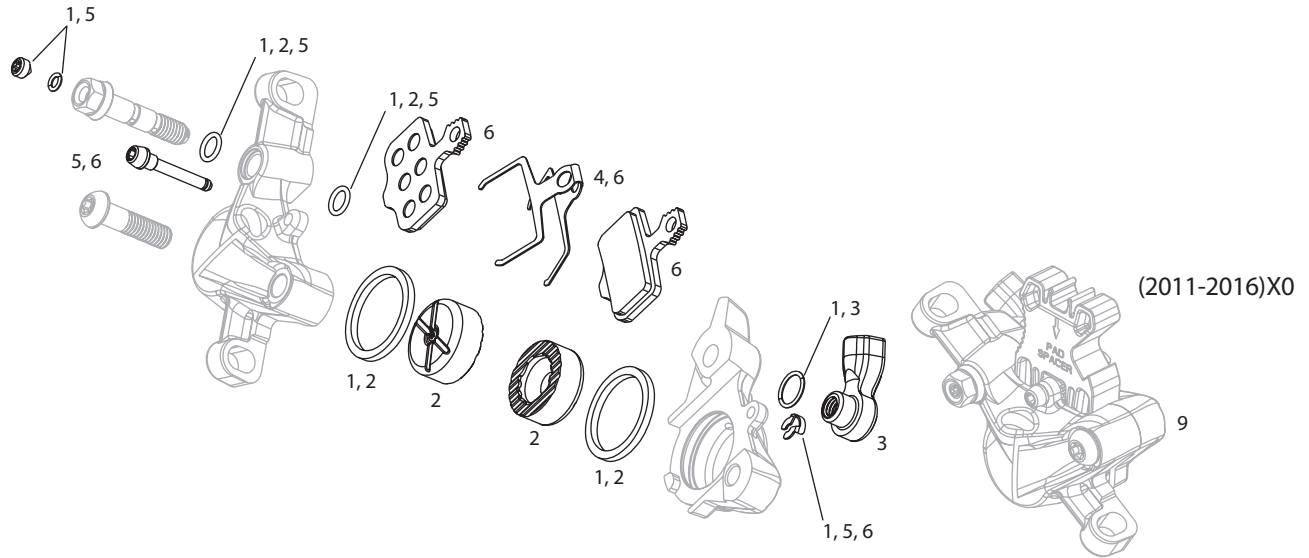
- 1. See lever pages for exploded view of Hydraulic Line kits
- 2. SRAM Tool Bleeding Edge needed to bleed Code brakes

CALIPER SPARES		
NO.	PART NUMBER	
1	11.5018.020.007	DISC BRAKE CALIPER PISTON KIT - (INCLUDES 2-16MM & 2-15MM CALIPER PISTONS, SEALS & O-RINGS) - CODE R B1/RSC A1
2	11.5015.068.050	DISC BRAKE PAD H-SPRING - (QTY 2) - CODE (2011-2017)/GUIDE RE
3	11.5018.033.000	DISC BRAKE PAD PIN KIT - STAINLESS STEEL (QTY 2) S4 CALIPER CODE/GUIDE ULTIMATE/RSC (B1)/RS(B1)/R(B1), G2 R/RS/RSC/ULT (A1)
4	11.5018.008.035	DISC BRAKE CALIPER ASSEMBLY - (ASSEMBLED, NO HOSE) BLACK - CODE R B1/RSC A1
BRAKE PADS		
NO.	PART NUMBER	
5	00.5315.023.010	DISC BRAKE PADS - SINTERED/STEEL (POWERFUL) - CODE 2011+/ GUIDE RE
5	00.5315.023.020	DISC BRAKE PADS - ORGANIC/ALUMINUM (QUIET/LIGHT) - CODE 2011+/ GUIDE RE
5	00.5315.023.030	DISC BRAKE PADS - ORGANIC/STEEL (QUIET) - CODE 2011+/ GUIDE RE
HYDRAULIC LINES & FITTING		
NO.	PART NUMBER	
ns	11.5309.766.000	DISC BRAKE COMPRESSION HOSE NUT - (QTY 5)
ns	11.5378.803.004	DISC BRAKE HOSE FITTING KIT - (INCLUDES 1 THREADED HOSE BARB, 1 RED COMP FITTING) - AVID & SRAM BRAKES
6	00.5016.168.170	HYDRAULIC LINE KIT - MONOBLOCK, 2000MM, BLACK, QTY 1 - LEVEL ULTIMATE/LEVEL TLM (A1), CODE R/RSC B1 (2018+)
TOOLS		
NO.	PART NUMBER	
7	00.5318.015.001	SRAM TOOL BLEEDING EDGE (WORKS WITH AVID/SRAM PRO BLEED KITS) -S4/MONOBLOCK CALIPERS, GUIDE ULTIMATE/RSC/RS/R (B1)/T (A1)/LEVEL ULT/ TLM (A1)/G2
8	11.5015.014.090	DISC BRAKE BLEED BLOCK - LARGE - CODE RSC/R B1

X0 - HYDRAULIC DISC BRAKE - CALIPERS (2011-2016)



DB-X0-B1



NOTES:

1. See lever pages for exploded view of Hydraulic Line kits

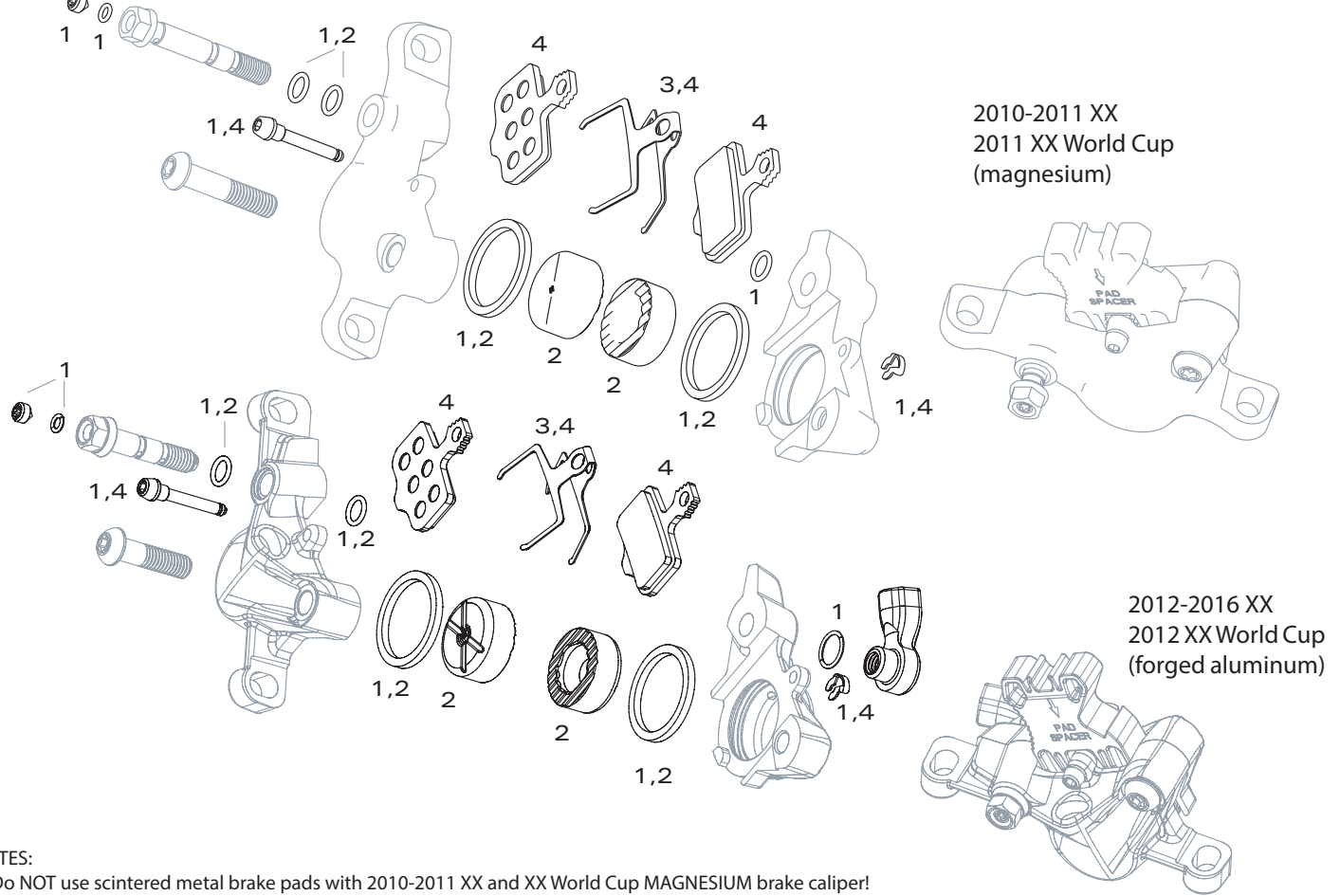
CALIPER SPARES		
NO.	PART NUMBER	
1	11.5015.031.000	DISC BRAKE CALIPER KIT - (INCLUDES PISTONS, SEALS & BLEED SCREWS) - ELIXIR
2	11.5015.032.000	DISC BRAKE CALIPER PISTON KIT - (INCLUDES 2-21MM CALIPER PISTONS & SEALS) - ELIXIR
3	11.5015.060.020	DISC BRAKE CALIPER BANJO KIT - BLACK (QTY 1) -ELIXIR R/CR/CR MAG/X0/ELIXIR 9/ELIXIR 7/GUIDE R,RS,RSC
4	11.5015.035.000	DISC BRAKE PAD H-SPRING - (QTY 2) - ELIXIR/DB/LEVEL ULT B1/LEVEL TLM B1/FORCE ETAP AXS
5	11.5015.036.010	DISC BRAKE PAD PIN KIT - SILVER, STEEL, (QTY 2) - ELIXIR/CODE/GUIDE R,RE,RS,RSC
BRAKE PADS		
NO.	PART NUMBER	
6	00.5315.035.010	DISC BRAKE PADS - SINTERED/STEEL (POWERFUL) - ELIXIR/DB/LEVEL TL/LEVEL T/LEVEL/LEVEL ULT/TLM B1 (2020+)
6	00.5315.035.020	DISC BRAKE PADS - ORGANIC/ALUMINUM (QUIET/LIGHT) - ELIXIR/DB/LEVEL TL/LEVEL T/LEVEL/LEVEL ULT/TLM B1 (2020+)
HYDRAULIC LINES & FITTING		
NO.	PART NUMBER	
ns	00.5016.168.050	HYDRAULIC LINE KIT - ELIXIR 5, ELIXIR 7, ELIXIR 9, ELIXIR R, ELIXIR CR, ELIXIR X0, ELIXIR CR MAG, 2000MM, STAINLESS, BLACK, QTY 1
ns	00.5016.168.060	HYDRAULIC LINE KIT - ELIXIR 5, ELIXIR 7, ELIXIR 9, ELIXIR R, ELIXIR CR, ELIXIR X0, ELIXIR CR MAG, 2000MM, STAINLESS, WHITE, QTY 1
ns	11.5309.766.000	DISC BRAKE COMPRESSION HOSE NUT - (QTY 5)
ns	11.5378.803.004	DISC BRAKE HOSE FITTING KIT - (INCLUDES 1 THREADED HOSE BARB, 1 RED COMP FITTING) - AVID & SRAM BRAKES



XX / XX WORLD CUP - HYDRAULIC DISC BRAKE - CALIPERS (2010-2016)



DB-XX-A2 / DB-XX-WC-A1



NOTES:

- 1. Do NOT use scintered metal brake pads with 2010-2011 XX and XX World Cup MAGNESIUM brake caliper!
- 2. See lever pages for exploded view of Hydraulic Line kits

CALIPER SPARES	
NO.	PART NUMBER
1	11.5015.031.000 DISC BRAKE CALIPER KIT - (INCLUDES PISTONS, SEALS & BLEED SCREWS) - ELIXIR
2	11.5015.032.000 DISC BRAKE CALIPER PISTON KIT - (INCLUDES 2-21MM CALIPER PISTONS & SEALS) - ELIXIR
3	11.5015.035.000 DISC BRAKE PAD H-SPRING - (QTY 2) - ELIXIR/DB/LEVEL ULT B1/LEVEL TLM B1/FORCE ETAP AXS
BRAKE PADS	
NO.	PART NUMBER
4	00.5315.035.010 DISC BRAKE PADS - SINTERED/STEEL (POWERFUL) - ELIXIR/DB/LEVEL TL/LEVEL T/LEVEL/LEVEL ULT/TLM B1 (2020+)
4	00.5315.035.020 DISC BRAKE PADS - ORGANIC/ALUMINUM (QUIET/LIGHT) - ELIXIR/DB/LEVEL TL/LEVEL T/LEVEL/LEVEL ULT/TLM B1 (2020+)



AVID LEGACY BRAKE SPARES OVERVIEW - PAGE 1 OF 2

PART NUMBER DESCRIPTION

SINGLE DIGIT RIM BRAKES

11.5362.100.800 RIM BRAKE NOODLE/OVERCOAT - 90
11.5362.200.500 RIM BRAKE NOODLE/OVERCOAT - 110
11.5362.300.200 RIM BRAKE NOODLE/OVERCOAT - 135
11.5362.402.300 RIM BRAKE OVERCOAT - (BOOT ONLY) (QTY 2)
11.5319.201.000 RIM BRAKE PADS - BULK (50 PAIR PER BOX)- 20 R
11.5337.100.200 RIM BRAKE PADS RIM WRANGLER 2 INSERTS STANDARD (1 SET)
11.5336.101.000 RIM BRAKE PADS RIM WRANGLER 2 STANDARD SILVER (1 SET)
11.5336.102.700 RIM BRAKE PADS RIM WRANGLER 2 STANDARD BLACK (1 SET)

SHORTY RIM BRAKES

00.5315.015.000 SHORTY (ROAD) CROSS BRAKE PAD & CARTRIDGE HOLDER (1 SET)
00.5315.015.010 SHORTY (ROAD) CROSS BRAKE PAD INSERTS (1 SET)
11.5319.102.000 RIM BRAKE PADS 20 R PADS STANDARD (1 SET)
11.5115.007.010 RIM BRAKE STRADDLE WIRE - B - SHORTY 2009-2016
11.5115.007.020 RIM BRAKE STRADDLE WIRE - D - SHORTY 2009-2016
11.5115.008.010 RIM BRAKE ARM SPRING KIT - (L/R) BLACK - SHORTY ULTIMATE
11.5115.008.020 RIM BRAKE ARM SPRING KIT - (L/R) GREY - SHORTY ULTIMATE
11.5115.009.010 RIM BRAKE CABLE ANCHOR & BOLT - BLACK - SHORTY ULTIMATE
11.5115.010.010 RIM BRAKE BARREL ADJUSTER & BARREL - BLACK - SHORTY ULTIMATE
11.5115.011.010 RIM BRAKE CABLE YOKE - SHORTY ULTIMATE
00.5115.044.010 SHORTY ULTIMATE (ROAD) CROSS BRAKE PAD & CARTRIDGE HOLDER (1 SET)
00.5115.044.020 SHORTY ULTIMATE (ROAD) CARBON CROSS BRAKE PAD & CARTRIDGE HOLDER, 25.5MM WIDTH (ZIPP 303) (1 SET)
11.5115.000.000 BRAKE PAD INSERT SRAM ROAD BLACK ALU RIM QTY 2

RIM BRAKE LEVER

11.5215.029.010 RIM BRAKE BARREL ADJUSTER - (QTY 2) - FR5/SD7 LEVER

BB 5/7 CALIPER

11.5369.300.500 DISC BRAKE PADS - ORGANIC/STEEL (QUIET) - BB5
11.5311.619.010 DISC BRAKE CALIPER PAD ADJUSTER KNOB KIT - BB7 2008-2016
11.5311.621.000 DISC BRAKE CALIPER CABLE BOOT KIT - BB7
11.5015.009.000 DISC BRAKE PAD RETAINER - (QTY 2) - BB7/ JUICY
11.5369.207.700 DISC BRAKE PADS - SINTERED/STEEL (POWERFUL) - JUICYS & BB7
11.5012.949.000 DISC BRAKE PADS - ORGANIC/STEEL (QUIET) - JUICYS & BB7
00.5315.001.020 DISC BRAKE PADS - ORGANIC/ALUMINUM (QUIET/LIGHT) - JUICYS/ BB7
11.5015.003.000 DISC BRAKE CALIPER BARREL ADJUSTER - INLINE - BB7 ROAD

JUICY BRAKE LEVER

11.5311.566.000 DISC BRAKE LEVER RESERVOIR CAP KIT - (INCLUDES RESERVOIR CAP, BLADDER & HARDWARE) - JUICY 3S/3SL, 05-07 JUICY 5, CODE 5
00.5016.168.030 HYDRAULIC LINE KIT - XX, JUICY ULTIMATE, JUICY 7, JUICY 5, 2000MM, ALUMINUM BANJO, BLACK, QTY 1
11.5309.766.000 DISC BRAKE COMPRESSION HOSE NUT - (QTY 5)
11.5378.803.002 DISC BRAKE HOSE FITTING KIT - (INCLUDES 5 THREADED HOSE BARBS, 5 RED COMP FITTINGS, 1 T8 TORX) - AVID & SRAM BRAKES
11.5378.803.003 DISC BRAKE HOSE FITTING KIT - (INCLUDES 50 THREADED HOSE BARBS, 50 RED COMP FITTINGS, 1 T8TORX) - AVID & SRAM BRAKES

E9/X0 TRAIL CALIPER

11.5018.007.002 DISC BRAKE CALIPER KIT - (INCLUDES PISTONS, SEALS, GUIDE PIN, BANJO & BOLTS) - ELIXIR X0/9 TRAIL A1

X0 TRAIL BRAKE LEVER

11.5018.005.001 DISC BRAKE LEVER INTERNALS/SERVICE KIT - (INCLUDES PISTON ASSEMBLY, BLADDER & SPRING) - X0 TRAIL A2

CODE BRAKE LEVER

11.5215.013.120 DISC BRAKE LEVER ASSEMBLY - ALUMINUM LEVER (ASSEMBLED, NO HOSE) SILVER - CODE 2011-2016
11.5015.064.040 DISC BRAKE LEVER INTERNALS/SERVICE KIT - (INCLUDES PISTON ASSEMBLY, BLADDER & SPRING) - CODE 2011-2016

JUICY CALIPER

11.5015.010.000 DISC BRAKE CALIPER KIT - (INCLUDES PISTONS, SEALS, H-SPRING & BOLTS) - JUICY 3
11.5015.009.000 DISC BRAKE PAD RETAINER - (QTY 2) - BB7/ JUICY



AVID LEGACY BRAKE SPARES OVERVIEW - PAGE 2 OF 2

PART NUMBER	DESCRIPTION
ELIXIR BRAKE LEVER	
11.5015.064.010	DISC BRAKE LEVER INTERNALS/SERVICE KIT - (INCLUDES PISTON ASSEMBLY, BLADDER & SPRING) - ELIXIR 3 ELIXIR 1 QTY 1
11.5015.021.130	DISC BRAKE LEVER BLADE KIT - TUNGSTEN BLACK (INCLUDES BLADE & BUSHINGS) - ELIXIR 1
11.5015.021.120	DISC BRAKE LEVER BLADE KIT - TUNGSTEN BLACK (INCLUDES BLADE) - ELIXIR 3
11.5015.029.030	DISC BRAKE LEVER CLAMP - SPLIT CLAMP BLACK (INCLUDES CLAMP & BOLTS) - ELIXIR 5/3,DB 3/1/LEVEL T
11.5309.766.000	DISC BRAKE COMPRESSION HOSE NUT - (QTY 5)
11.5378.803.002	DISC BRAKE HOSE FITTING KIT - (INCLUDES 5 THREADED HOSE BARBS, 5 RED COMP FITTINGS, 1 T8 TORX) - AVID & SRAM BRAKES
11.5378.803.003	DISC BRAKE HOSE FITTING KIT - (INCLUDES 50 THREADED HOSE BARBS, 50 RED COMP FITTINGS, 1 T8TORX) - AVID & SRAM BRAKES
11.5015.030.610	DISC BRAKE LEVER ASSEMBLY - ALUMINUM LEVER (ASSEMBLED, NO HOSE) BLACK - DB3
11.5015.021.050	DISC BRAKE LEVER BLADE KIT - TUNGSTEN BLACK (INCLUDES BLADE, PUSHROD & DOWEL) - ELIXIR 5
11.5015.064.020	DISC BRAKE LEVER INTERNALS/SERVICE KIT - (INCLUDES PISTON ASSEMBLY, BLADDER & SPRING) - ELIXIR CR/R/5 QTY 1
11.5018.005.000	DISC BRAKE LEVER INTERNALS/SERVICE KIT - (INCLUDES PISTON ASSEMBLY, BLADDER & SPRING) - ELIXIR 5/VIA GT A2
11.5315.048.050	DISC BRAKE LEVER CLAMP - (MMX) SILVER (STAINLESS STEEL BOLTT25) - G2 (A1), GUIDE (A1-B1), LEVEL ULT/TLM/TL, CODE RSC/R, DB5 ELIXIR 9/7/CR, MAG/X0/ XX, QTY 1
11.5315.048.070	DISC BRAKE LEVER CLAMP - (MMX) BLACK (STAINLESS STEEL BOLT T25) - G2 (A1), GUIDE (A1-B1),LEVEL ULT/TLM/TL, CODE RSC/R, DB5 ELIXIR 9/7/CR MAG/X0/ XX, QTY 1
11.5315.048.080	DISC BRAKE LEVER CLAMP - (MMX) BLACK (TI BOLT T25) - G2 (A1), GUIDE (A1-B1), LEVEL ULT/TLM/TL, CODE RSC/R,DB5 ELIXIR9/7/CR MAG/X0/ XX, QTY 1
11.5015.030.500	DISC BRAKE LEVER ASSEMBLY - ALUMINUM LEVER (ASSEMBLED, NO HOSE, INCLUDES HINGED CLAMP) GRAPHITE GREY - CODE R
11.5015.030.530	DISC BRAKE LEVER ASSEMBLY - ALUMINUM LEVER (ASSEMBLED, NO HOSE, INCLUDES HINGED CLAMP) STORM GREY - ELIXIR 7 TRAIL
11.5315.048.010	DISC BRAKE LEVER CLAMP - (DISCRETE) BLACK (STAINLESS STEEL BOLT T25)-GUIDE ULT/RSC/RS/RE/R,LEVEL ULT/TLM/TL, CODE RSC/R, DB5 ELIXIR 9/7/CR MAG/X0/ XX, QTY 1
11.5315.048.090	DISC BRAKE LEVER CLAMP - (DISCRETE) BLACK (TI BOLT T25) - GUIDE ULT/RSC/RS/RE/R,LEVEL ULT/TLM/TL, CODE RSC/R, DB5 ELIXIR 9/7/CR MAG/X0/ XX, QTY 1
11.5015.029.010	DISC BRAKE LEVER CLAMP - SPLIT CLAMP ONYX (INCLUDES CLAMP & BOLTS) - ELIXIR
11.5015.021.190	DISC BRAKE LEVER BLADE KIT - ALUMINUM BLACK (INCLUDES BLADE, PIN & BUSHINGS) - ELIXIR 9, 9 TRAIL, 7, 7 TRAIL, CODE-R
00.5016.168.050	HYDRAULIC LINE KIT - ELIXIR 5, ELIXIR 7, ELIXIR 9, ELIXIR R, ELIXIR CR, ELIXIR X0, ELIXIR CR MAG, 2000MM, STAINLESS, BLACK, QTY 1
00.5016.168.060	HYDRAULIC LINE KIT - ELIXIR 5, ELIXIR 7, ELIXIR 9, ELIXIR R, ELIXIR CR, ELIXIR X0, ELIXIR CR MAG, 2000MM, STAINLESS, WHITE, QTY 1
00.5016.168.010	HYDRAULIC LINE KIT - CODE/CODE R/ELIXIR 3/ELIXIR 1/JUICY 3/DB 3/DB 1/LEVEL ULT/TLM B1 (2020+)/LEVEL T/LEVEL/GUIDE RE, 2000MM, BLACK, QTY 1
00.5016.168.020	HYDRAULIC LINE KIT - CODE/CODE R/ELIXIR 3/ELIXIR 1/JUICY 3/DB 3/DB 1/LEVEL ULT/TLM B1 (2020+)/LEVEL T/LEVEL/GUIDE RE, 2000MM, WHITE, QTY 1
ELIXIR CALIPER	
11.5015.031.000	DISC BRAKE CALIPER KIT - (INCLUDES PISTONS, SEALS & BLEED SCREWS) - ELIXIR
11.5015.032.000	DISC BRAKE CALIPER PISTON KIT - (INCLUDES 2-21MM CALIPER PISTONS & SEALS) - ELIXIR
00.5315.035.010	DISC BRAKE PADS - SINTERED/STEEL (POWERFUL) - ELIXIR/DB/LEVEL TL/LEVEL T/LEVEL/LEVEL ULT/TLM B1 (2020+)
00.5315.035.020	DISC BRAKE PADS - ORGANIC/ALUMINUM (QUIET/LIGHT) - ELIXIR/DB/LEVEL TL/LEVEL T/LEVEL/LEVEL ULT/TLM B1 (2020+)
11.5018.008.028	DISC BRAKE CALIPER ASSEMBLY - (ASSEMBLED, NO HOSE) BLACK - LEVEL TL
00.5016.168.050	HYDRAULIC LINE KIT - ELIXIR 5, ELIXIR 7, ELIXIR 9, ELIXIR R, ELIXIR CR, ELIXIR X0, ELIXIR CR MAG, 2000MM, STAINLESS, BLACK, QTY 1
00.5016.168.060	HYDRAULIC LINE KIT - ELIXIR 5, ELIXIR 7, ELIXIR 9, ELIXIR R, ELIXIR CR, ELIXIR X0, ELIXIR CR MAG, 2000MM, STAINLESS, WHITE, QTY 1
11.5015.060.020	DISC BRAKE CALIPER BANJO KIT - BLACK (QTY 1) -ELIXIR R/CR/CR MAG/X0/ELIXIR 9/ELIXIR 7/GUIDE R,RS,RSC
11.5015.035.000	DISC BRAKE PAD H-SPRING - (QTY 2) - ELIXIR/DB/LEVEL ULT B1/LEVEL TLM B1/FORCE ETAP AXS
11.5015.036.000	DISC BRAKE PAD PIN KIT - BLACK (QTY 2) - ELIXIR
E7/X0 TRAIL CALIPER	
11.5018.007.002	DISC BRAKE SPARE PARTS CALIPER PARTS KIT ELIXIR X0/9 TRAIL (INCLUDES ALL SMALL PARTS) A1
11.5018.007.003	DISC BRAKE SPARE PARTS CALIPER PARTS KIT ELIXIR 7 TRAIL (INCLUDES ALL SMALL PARTS) A1
CODE CALIPER	
11.5315.009.000	DISC BRAKE SPARE PARTS CALIPER CODE 2010 BRAKE PAD SPREADER KIT QTY 2

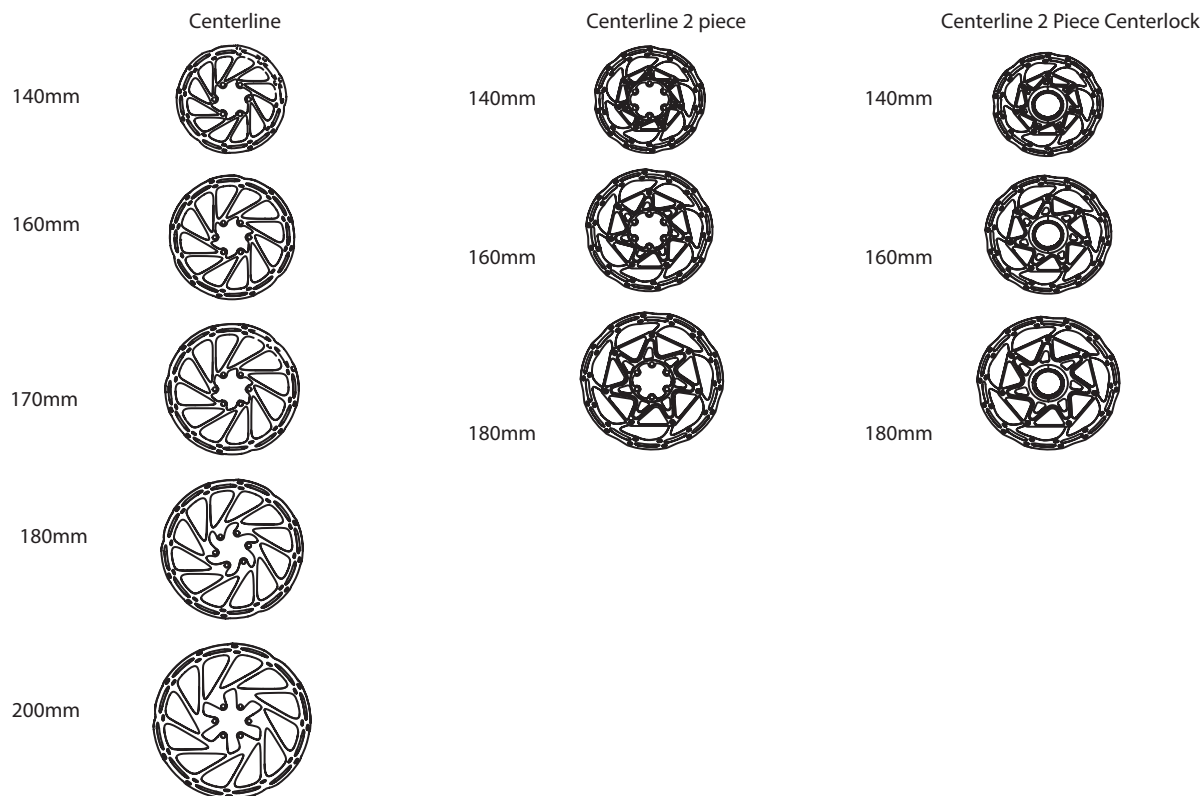


BRAKE PADS OVERVIEW

PART NUMBER	DESCRIPTION
<u>BRAKE PADS DISC</u>	
11.5015.040.000	DISC BRAKE PADS - SINTERED/STEEL (20 SETS) - ELIXIR
11.5015.040.010	DISC BRAKE PADS - ORGANIC/STEEL (20 SETS) - ELIXIR
11.5015.040.020	DISC BRAKE PADS - ORGANIC/ALUMINUM (20 SETS) - ELIXIR
11.5015.040.030	DISC BRAKE PADS - SINTERED/STEEL (20 SETS) - GUIDE/TRAIL
11.5015.040.060	DISC BRAKE PADS - ORGANIC/STEEL (20 SETS) - GUIDE/TRAIL
11.5015.040.070	DISC BRAKE PADS - ORGANIC/ALUMINUM (20 SETS) - GUIDE/TRAIL
11.5015.069.170	DISC BRAKE PADS - SINTERED/STEEL (20 SETS) - CODE 2011-2016
11.5015.069.190	DISC BRAKE PADS - ORGANIC/STEEL (20 SETS) - CODE 2011-2016
11.5018.037.000	DISC BRAKE PADS - ORGANIC/STEEL (20 SETS) SRAM HYDRAULIC ROAD DISC, LEVEL ULTIMATE/TLM
11.5018.037.001	DISC BRAKE PADS - ORGANIC/ALUMINUM (20 SETS) - SRAM HYDRAULIC ROAD DISC, LEVEL ULTIMATE/TLM
11.5018.037.002	DISC BRAKE PADS - SINTERED/STEEL (20 SETS) - HRD
11.5415.015.000	DISC BRAKE PADS - ORGANIC/STEEL - (20 SETS) - JUICY/BB7
11.5415.015.010	DISC BRAKE PADS - STANDARD/STEEL (20 SETS) - JUICY/BB7
11.5369.300.500	DISC BRAKE PADS - ORGANIC/STEEL (QUIET) - BB5
11.5012.949.000	DISC BRAKE PADS - ORGANIC/STEEL (QUIET) - JUICYS & BB7
11.5369.207.700	DISC BRAKE PADS - SINTERED/STEEL (POWERFUL) - JUICYS & BB7
00.5315.001.020	DISC BRAKE PADS - ORGANIC/ALUMINUM (QUIET/LIGHT) - JUICYS/ BB7
00.5315.007.000	DISC BRAKE PADS - SINTERED/STEEL (POWERFUL) - CODE (2007-2010)
00.5315.023.030	DISC BRAKE PADS - ORGANIC/STEEL (QUIET) - CODE 2011+ / GUIDE RE
00.5315.023.010	DISC BRAKE PADS - SINTERED/STEEL (POWERFUL) - CODE 2011+ / GUIDE RE
00.5315.023.020	DISC BRAKE PADS - ORGANIC/ALUMINUM (QUIET/LIGHT) - CODE 2011+ / GUIDE RE
00.5315.001.000	DISC BRAKE PADS - ORGANIC/STEEL (QUIET) - CODE (2007-2010)
00.5315.035.010	DISC BRAKE PADS - SINTERED/STEEL (POWERFUL) - ELIXIR/DB/LEVEL TL/LEVEL T/LEVEL/LEVEL ULT/TLM B1 (2020+)
00.5315.035.020	DISC BRAKE PADS - ORGANIC/ALUMINUM (QUIET/LIGHT) - ELIXIR/DB/LEVEL TL/LEVEL T/LEVEL/LEVEL ULT/TLM B1 (2020+)
00.5318.003.003	DISC BRAKE PADS - ORGANIC/ALUMINUM (QUIET/LIGHT) - TRAIL/GUIDE/G2
00.5318.003.004	DISC BRAKE PADS - ORGANIC/STEEL (QUIET) - TRAIL/GUIDE/G2
00.5318.003.005	DISC BRAKE PADS - SINTERED/STEEL (POWERFUL) - TRAIL/GUIDE/G2
00.5318.010.002	DISC BRAKE PADS - ORGANIC/STEEL (QUIET) – MONOBLOCK - SRAM HYDRAULIC ROAD DISC, LEVEL ULTIMATE/TLM A1 (2017-2019)
00.5318.010.003	DISC BRAKE PADS - ORGANIC/ALUMINUM (QUIET/LIGHT) – MONOBLOCK – SRAM HYDRAULIC ROAD DISC, LEVEL ULTIMATE/TLM A1 (2017-2019)
00.5318.010.004	DISC BRAKE PADS - SINTERED/STEEL (POWERFUL) – MONOBLOCK - SRAM HYDRAULIC ROAD DISC, LEVEL ULTIMATE/TLM A1 (2017-2019)
00.5318.024.001	DISC BRAKE PADS - ORGANIC/STEEL (QUIET) - (INCLUDES GUIDE PIN, CLIP & PAD SPREADER) - LEVEL TL/LEVEL T/LEVEL/LEVEL ULT/TLM B1 (2020+)/DB/ELIXIR/2 PIECE ROAD - OE ROAD PAD
00.5315.035.031	DISC BRAKE PADS - ORGANIC/STEEL (POWERFUL) - ELIXIR/DB/LEVEL TL/LEVEL T/LEVEL/LEVEL ULT/TLM B1 (2020+)
00.5318.003.006	DISC BRAKE PADS - ORGANIC/STEEL (POWERFUL) - TRAIL/GUIDE/G2
<u>BRAKE PADS RIM</u>	
11.5319.201.000	RIM BRAKE PADS - BULK (50 PAIR PER BOX)- 20 R
00.5115.044.010	SHORTY ULTIMATE (ROAD) CROSS BRAKE PAD & CARTRIDGE HOLDER (1 SET)
00.5115.044.020	SHORTY ULTIMATE (ROAD) CARBON CROSS BRAKE PAD & CARTRIDGE HOLDER, 25.5MM WIDTH (ZIPP 303) (1 SET)
11.5319.102.000	RIM BRAKE PADS 20 R PADS STANDARD (1 SET)
00.5315.016.010	BRAKE PAD/HOLDER APEX PAIR
00.1915.129.010	ZIPP TANGENTE CORK COMPOSITE BRAKE PAD INSERTS FOR CARBON RIMS - SRAM/SHIMANO - 1 PAIR
00.5315.013.030	BRAKE PAD/HOLDER FORCE PAIR
11.5115.000.000	BRAKE PAD INSERT SRAM ROAD BLACK ALU RIM QTY 2
11.5115.000.010	BRAKE PAD INSERT FOR CARBON RIM SRAM ROAD YELLOW QTY 2
00.1915.129.050	ZIPP TANGENTE PLATINUM PRO EVO BRAKE PAD INSERTS FOR CARBON RIMS - SRAM/SHIMANO - 1 PAIR
00.1915.129.060	ZIPP TANGENTE PLATINUM PRO EVO BRAKE PAD INSERTS FOR CARBON RIMS - CAMPAGNOLO - 1 PAIR
00.5315.013.050	BRAKE PAD/HOLDER RED 2012/RED BLACK PAIR
11.5336.101.000	RIM BRAKE PADS RIM WRANGLER 2 STANDARD SILVER (1 SET)
11.5336.102.700	RIM BRAKE PADS RIM WRANGLER 2 STANDARD BLACK (1 SET)
11.5337.100.200	RIM BRAKE PADS RIM WRANGLER 2 INSERTS STANDARD (1 SET)
00.5315.016.000	BRAKE PAD/HOLDER RIVAL BLACK PAIR
00.5315.015.000	SHORTY (ROAD) CROSS BRAKE PAD & CARTRIDGE HOLDER (1 SET)
00.5315.015.010	SHORTY (ROAD) CROSS BRAKE PAD INSERTS (1 SET)



ROTORS



NOTES:

1. All rotors pictured are for reference; available if listed below.

- | | |
|-----------------|---|
| 00.5015.549.030 | ROTOR G3 CLEANSWEEP 203MM |
| 00.5016.175.120 | ROTOR G2 CLEANSWEEP 180MM |
| 00.5016.175.130 | ROTOR G2 CLEANSWEEP 200MM |
| 00.5018.037.002 | ROTOR CENTERLINE 170MM (INCLUDES STEEL ROTOR BOLTS) |
| 00.5018.037.011 | ROTOR CENTERLINE 203MM (INCLUDES STEEL ROTOR BOLTS) |
| 00.5018.037.012 | ROTOR CENTERLINE 140MM (INCLUDES STEEL ROTOR BOLTS) ROUNDED |
| 00.5018.037.013 | ROTOR CENTERLINE 160MM (INCLUDES STEEL ROTOR BOLTS) ROUNDED |
| 00.5018.037.014 | ROTOR CENTERLINE 180MM (INCLUDES STEEL ROTOR BOLTS) ROUNDED |
| 00.5018.037.015 | ROTOR CENTERLINE 200MM (INCLUDES STEEL ROTOR BOLTS) ROUNDED |
| 00.5018.037.016 | ROTOR CENTERLINE 2 PIECE 140MM BLACK (INCLUDES STEEL ROTOR BOLTS) ROUNDED |
| 00.5018.037.017 | ROTOR CENTERLINE 2 PIECE 140MM BLACK (INCLUDES TI ROTOR BOLTS) ROUNDED |
| 00.5018.037.018 | ROTOR CENTERLINE 2 PIECE 160MM BLACK (INCLUDES STEEL ROTOR BOLTS) ROUNDED |
| 00.5018.037.019 | ROTOR CENTERLINE 2 PIECE 160MM BLACK (INCLUDES TI ROTOR BOLTS) ROUNDED |
| 00.5018.037.020 | ROTOR CENTERLINE 2 PIECE 180MM BLACK (INCLUDES STEEL ROTOR BOLTS) ROUNDED |
| 00.5018.037.021 | ROTOR CENTERLINE 2 PIECE 180MM BLACK (INCLUDES TI ROTOR BOLTS) ROUNDED |
| 00.5018.037.022 | ROTOR CENTERLINE 2 PIECE CENTERLOCK 140MM BLACK ROUNDED |
| 00.5018.037.023 | ROTOR CENTERLINE 2 PIECE CENTERLOCK 160MM BLACK ROUNDED |
| 00.5018.037.024 | ROTOR CENTERLINE 2 PIECE CENTERLOCK 180MM BLACK ROUNDED |
| 00.5018.037.025 | ROTOR CENTERLINE CENTERLOCK 160MM BLACK ROUNDED |
| 00.5018.037.026 | ROTOR CENTERLINE CENTERLOCK 180MM BLACK ROUNDED |
| 00.5018.037.027 | ROTOR CENTERLINE CENTERLOCK 200MM BLACK ROUNDED |
| 00.5315.002.000 | ROTOR G2 CLEANSWEEP 140MM |
| 00.5315.003.000 | ROTOR G2 CLEANSWEEP 160MM |
| 00.5018.158.000 | ROTOR PACELINE 140MM (INCLUDES STEEL ROTOR BOLTS) ROUNDED |
| 00.5018.158.001 | ROTOR PACELINE 160MM (INCLUDES STEEL ROTOR BOLTS) ROUNDED |
| 00.5018.158.002 | ROTOR PACELINE CENTERLOCK 140MM ROUNDED (DOES NOT INCLUDE LOCKRING) |
| 00.5018.158.003 | ROTOR PACELINE CENTERLOCK 160MM ROUNDED (DOES NOT INCLUDE LOCKRING) |
| 11.2018.063.001 | HUB CENTERLOCK ROTOR DISC LOCKRING BLACK ZIPP LOGO QTY 1 |
| 11.2018.063.002 | HUB CENTERLOCK ROTOR DISC LOCKRING BLACK ZIPP LOGO (FOR ROTORS UP TO 160MM) QTY 1 |
| 11.5363.012.300 | ROTOR BOLT KIT - STEEL (QTY 6) |
| 11.5015.069.330 | ROTOR BOLTS T25 STEEL (QTY 24) |
| 11.5315.043.000 | ROTOR BOLT KIT - TITANIUM (QTY 6) |
| 11.5315.040.000 | ROTOR SHIM - .2mm HUB SHIM (OFFERING FINE ADJUSTMENT TO THE ROTOR POSITION) |



Rotor/ Mount Charts

Disc Mounting Configuration

Use the charts below and on the following page to identify the parts you intend to use, then reference the charts on the reverse side to determine the bracket end/or spacer configuration to mount your disc brake caliper to your frame/fork. Consult your retailer for the proper rotor sizes for your bicycle.

⚠ WARNING - CRASH HAZARD

Choose the correct bolt length for proper thread engagement. Riding a bike with improper bolt engagement can allow the brakes to disengage from the bicycle, which can lead to a crash and serious injury or death to the rider.


Charts are color coded according to configurations:

Road/ Mountain Configurations
Mountain Only Configurations
Road Only Configurations

Rotor Size

Determine your desired rotor size to ensure it is compatible with your fork and frame.

Mount	Fork	Frame	Rotor Size
IS	160 IS	140 IS	140 mm
Flat	Flat	Flat	160 mm
Post	140 Post	140 Post	170 mm
	160 Post	160 Post	180 mm
	200 Post	180 Post	185 mm
	203 Post		200 mm
			203 mm



95-5015-000-000 Rev F

Rotor Size (mm)

	140 mm	160 mm	170 mm	180 mm	185 mm	200 mm	203 mm
140 IS	0 IS	20 IS	30 IS	40 IS	45 IS	60 IS	
140 Post	0 Direct	20 S* 20 P	30 P	40 P			
Flat	Front 140 Rear/ Direct	Front 160 Rear/20F					
160 IS		0 IS		20 IS	25 IS	40 IS	
160 Post		Direct	10 S	20 S* 20 P	25 S	40 P	
180 Post				Direct		20 S* 20 P	
200 Post Bosch 27						Direct	3 S
203 Post Totoram							Direct

Fork/Frame Mount

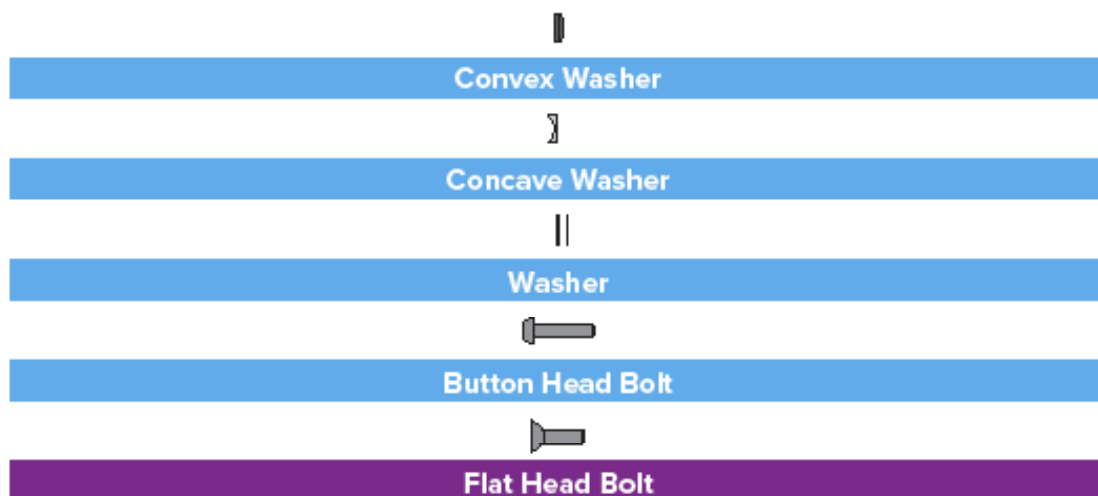
*20 S is only available on products from the Original Equipment bicycle Manufacturer (OEM), please refer to the spare parts catalog.



95-5015-000-000 Rev F

Mounting Hardware/ Proper Thread Engagement

Disc Mounting Configuration

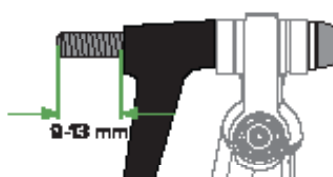


⚠WARNING - CRASH HAZARD

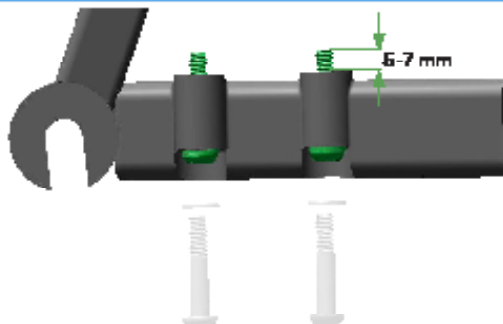
Choose the correct bolt length for proper thread engagement. Riding a bike with improper bolt engagement can allow the brakes to disengage from the bicycle, which can lead to a crash and serious injury or death to the rider.

There must be 9-13 mm of mounting bolt thread engagement when mounting brake calipers to forks and frames either with or without brackets and/or spacers. Riding a bike with improper bolt engagement can allow the brakes to disengage from the bicycle, which can lead to a crash and serious injury or death to the rider.

There must be 5-7 mm of mounting bolt thread engagement when mounting brake calipers to forks and frames with flat mount hardware and brackets.



Standard or CPS Mounting Configurations require 9-13 mm of thread engagement



Flat Mount Configurations require 5-7 mm of thread engagement

95-5015-000-000 Rev F

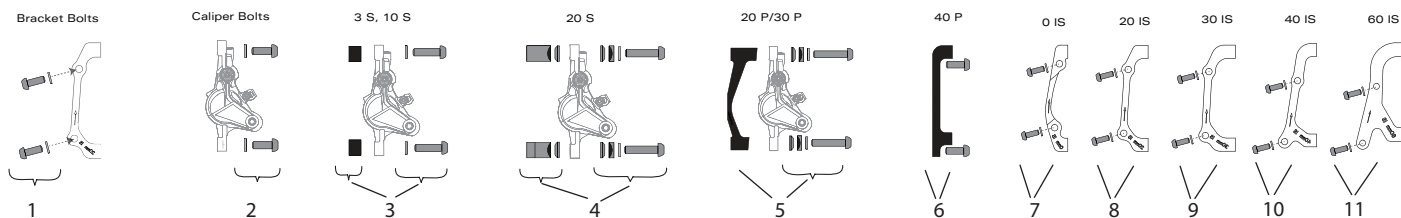


MOUNTING BRACKETS & TOWERS/SPACERS / HARDWARE



STANDARD:

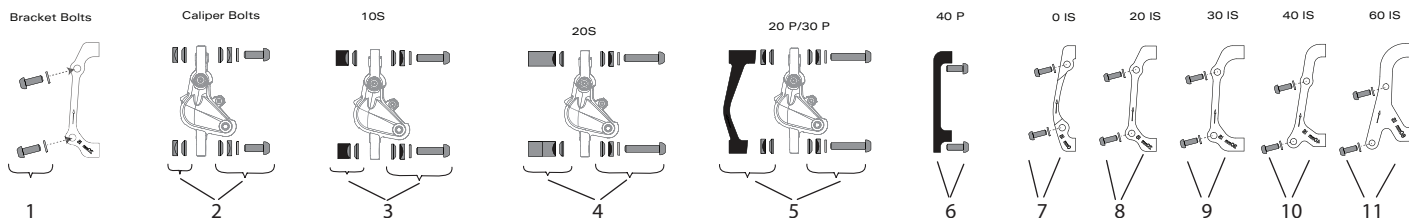
GUIDE, LEVEL TRAIL, DB, Road Hydraulic, (XX, X0 & E1 2013+) & (CODE R, CODE RSC 2018+)



NO.	PART NUMBER	DESCRIPTION
1	00.5318.005.000	BRACKET MOUNTING BOLTS - STAINLESS (2 PCS)
1	00.5318.005.001	BRACKET MOUNTING BOLTS - TITANIUM T25 (2 PCS)
2	00.5318.006.000	CALIPER MOUNTING HARDWARE (ALSO DIRECT MOUNT) STAINLESS - INCLUDES CALIPER MOUNTING BOLTS & WASHERS (CPS & STANDARD)
2	00.5318.006.001	CALIPER MOUNTING HARDWARE (ALSO DIRECT MOUNT) TITANIUM T25 - INCLUDES CALIPER MOUNTING BOLTS & WASHERS (STANDARD)
4	00.5318.008.005	POST SPACER SET - 20 S (FRONT 180/REAR 160), INCLUDES TITANIUM T25 CALIPER MOUNTING BOLTS (CPS)
3	00.5318.008.000	POST SPACER SET - 10 S (FRONT 170), INCLUDES STAINLESS CALIPER MOUNTING BOLTS (CPS & STANDARD)
4	00.5318.008.003	POST SPACER SET - 20 S (FRONT 180/REAR 160), INCLUDES STAINLESS CALIPER MOUNTING BOLTS (CPS & STANDARD)
4	00.5318.008.004	POST SPACER SET - 20 S (FRONT 180/REAR 160), INCLUDES TITANIUM T25 CALIPER MOUNTING BOLTS (STANDARD)
4	00.5318.008.005	POST SPACER SET - 20 S (FRONT 180/REAR 160), INCLUDES TITANIUM T25 CALIPER MOUNTING BOLTS (CPS)
5	00.5318.007.004	POST BRACKET - 20 P (FRONT 180/REAR 160), INCLUDES STAINLESS CALIPER MOUNTING BOLTS (CPS & STANDARD), INCREASED DEPTH FOR FITMENT OF ALL CALIPERS INCLUDING GUIDE ULTIMATE
5	00.5318.007.000	POST BRACKET - 30 P (REAR 170), INCLUDES STAINLESS CALIPER MOUNTING BOLTS (CPS & STANDARD)
6	00.5318.007.003	POST BRACKET - 40 P (FRONT 200/REAR 180), INCLUDES STAINLESS BRACKET MOUNTING BOLTS
7	00.5318.009.000	IS BRACKET - 0 IS (FRONT 160/REAR 140) INCLUDES STAINLESS BRACKET MOUNTING BOLTS
8	00.5318.009.001	IS BRACKET - 20 IS (FRONT 180/REAR 160) INCLUDES STAINLESS BRACKET MOUNTING BOLTS
9	00.5318.009.002	IS BRACKET - 30 IS (REAR 170) INCLUDES STAINLESS BRACKET MOUNTING BOLTS
10	00.5318.009.003	IS BRACKET - 40 IS (FRONT 200/REAR 180) INCLUDES STAINLESS BRACKET MOUNTING BOLTS
11	00.5318.009.004	IS BRACKET - 60 IS (REAR 200) INCLUDES STAINLESS BRACKET MOUNTING BOLTS

CPS:

GUIDE RE, (Code, Code R PRE 2018), X0, E9, E7, E5, E3, BB7, BB5, JUICY & (XX, X0 & E1 PRE 2013)



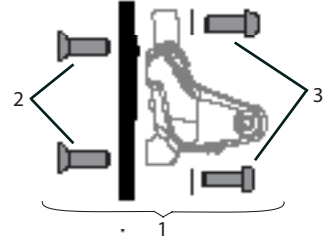
NO.	PART NUMBER	DESCRIPTION
1	00.5318.005.000	BRACKET MOUNTING BOLTS - STAINLESS (2 PCS)
1	00.5318.005.001	BRACKET MOUNTING BOLTS - TITANIUM T25 (2 PCS)
2	00.5318.006.000	CALIPER MOUNTING HARDWARE (ALSO DIRECT MOUNT) STAINLESS - INCLUDES CALIPER MOUNTING BOLTS & WASHERS (CPS & STANDARD)
2	00.5318.006.002	CALIPER MOUNTING HARDWARE (ALSO DIRECT MOUNT) TITANIUM T25 CPS - INCLUDES CALIPER MOUNTING BOLTS & WASHERS (CPS)
3	00.5318.008.000	POST SPACER SET - 10 S (FRONT 170), INCLUDES STAINLESS CALIPER MOUNTING BOLTS (CPS & STANDARD)
4	00.5318.008.003	POST SPACER SET - 20 S (FRONT 180/REAR 160), INCLUDES STAINLESS CALIPER MOUNTING BOLTS (CPS & STANDARD)
4	00.5318.008.005	POST SPACER SET - 20 S (FRONT 180/REAR 160), INCLUDES TITANIUM T25 CALIPER MOUNTING BOLTS (CPS)
5	00.5318.007.004	POST BRACKET - 20 P (FRONT 180/REAR 160), INCLUDES STAINLESS CALIPER MOUNTING BOLTS (CPS & STANDARD), INCREASED DEPTH FOR FITMENT OF ALL CALIPERS INCLUDING GUIDE ULTIMATE
5	00.5318.007.000	POST BRACKET - 30 P (REAR 170), INCLUDES STAINLESS CALIPER MOUNTING BOLTS (CPS & STANDARD)
6	00.5318.007.003	POST BRACKET - 40 P (FRONT 200/REAR 180), INCLUDES STAINLESS BRACKET MOUNTING BOLTS
7	00.5318.009.000	IS BRACKET - 0 IS (FRONT 160/REAR 140) INCLUDES STAINLESS BRACKET MOUNTING BOLTS
8	00.5318.009.001	IS BRACKET - 20 IS (FRONT 180/REAR 160) INCLUDES STAINLESS BRACKET MOUNTING BOLTS
9	00.5318.009.002	IS BRACKET - 30 IS (REAR 170) INCLUDES STAINLESS BRACKET MOUNTING BOLTS
10	00.5318.009.003	IS BRACKET - 40 IS (FRONT 200/REAR 180) INCLUDES STAINLESS BRACKET MOUNTING BOLTS
11	00.5318.009.004	IS BRACKET - 60 IS (REAR 200) INCLUDES STAINLESS BRACKET MOUNTING BOLTS

NOTES:

1. CPS = Caliper Positioning System. CPS caliper requires CPS hardware
2. Non-CPS/Standard caliper requires non-CPS/Standard hardware.
3. 170mm (Fork-10S, Frame-30P), 180mm (Fork-20P/20IS, Frame-40P/40IS), 200mm (Fork-40P/40IS, Frame-60IS)

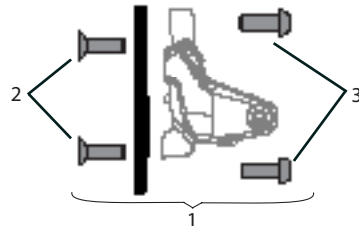


RED® eTap® HRD/ RED® HRD/ Force® HRD/Rival® HRD/ Apex® HRD



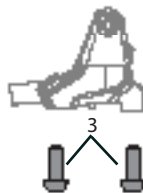
Front Flat 140-0F

15 mm	15 mm
-------	-------



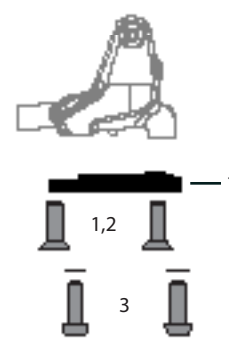
Front Flat 160-20F

15 mm	15 mm
-------	-------



Rear Flat Direct-0F Direct

17 mm	17 mm
22 mm	22 mm
27 mm	27 mm
32 mm	32 mm
37 mm	37 mm
42 mm	42 mm



Rear Flat 20F

17 mm	17 mm
22 mm	22 mm
27 mm	27 mm
32 mm	32 mm
37 mm	37 mm
42 mm	42 mm

15-3025-010-008 Rev F

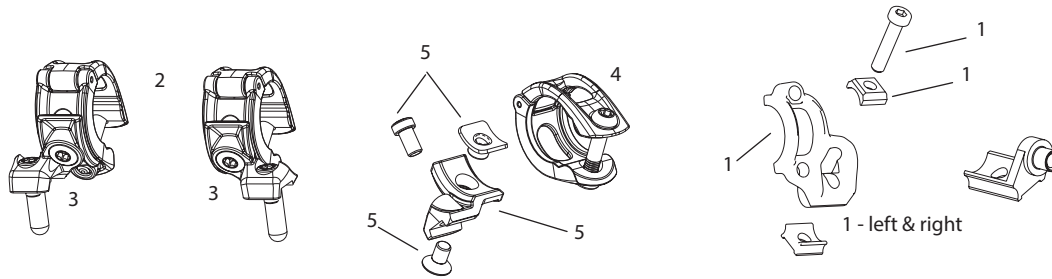
BRACKETS		
NO.	PART NUMBER	DESCRIPTION
1	00.5318.018.000	FLAT MOUNT BRACKET FRONT - 0F/20F (FRONT 140/FRONT 160), INCLUDES 2 STAINLESS BRACKET & CALIPER MOUNTING BOLTS
1	00.5318.018.001	FLAT MOUNT BRACKET REAR - 20F(REAR 160), INCLUDES 2 STAINLESS BRACKET MOUNTING BOLTS

CALIPER MOUNTING BOLTS		
NO.	PART NUMBER	DESCRIPTION
2	00.5318.006.003	CALIPER MOUNTING HARDWARE STAINLESS T25 5MM (2 PCS) - FLAT MOUNT CALIPER
2	00.5318.006.004	CALIPER MOUNTING HARDWARE TITANIUM T25 5MM (2 PCS) - FLAT MOUNT CALIPER

BRACKET MOUNTING BOLTS		
NO.	PART NUMBER	DESCRIPTION
3	00.5318.005.002	BRACKET MOUNTING BOLTS - STAINLESS T25 15MM (2 PCS) - FLAT MOUNT CALIPER
3	00.5318.005.003	BRACKET MOUNTING BOLTS - TITANIUM T25 15MM (2 PCS) - FLAT MOUNT CALIPER
3	00.5318.005.004	BRACKET MOUNTING BOLTS - STAINLESS T25 27MM (2 PCS) - FLAT MOUNT CALIPER
3	00.5318.005.005	BRACKET MOUNTING BOLTS - TITANIUM T25 27MM (2 PCS) - FLAT MOUNT CALIPER
3	00.5318.005.006	BRACKET MOUNTING BOLTS - STAINLESS T25 32MM (2 PCS) - FLAT MOUNT CALIPER
3	00.5318.005.007	BRACKET MOUNTING BOLTS - TITANIUM T25 32MM (2 PCS) - FLAT MOUNT CALIPER
3	00.5318.005.008	BRACKET MOUNTING BOLTS - STAINLESS T25 37MM (2 PCS) - FLAT MOUNT CALIPER
3	00.5318.005.009	BRACKET MOUNTING BOLTS - TITANIUM T25 37MM (2 PCS) - FLAT MOUNT CALIPER
3	00.5318.005.010	BRACKET MOUNTING BOLTS - STAINLESS T25 42MM (2 PCS) - FLAT MOUNT CALIPER
3	00.5318.005.011	BRACKET MOUNTING BOLTS - TITANIUM T25 42MM (2 PCS) - FLAT MOUNT CALIPER
3	00.5318.005.012	BRACKET MOUNTING BOLTS - STAINLESS T25 17MM (2 PCS) - FLAT MOUNT CALIPER
3	00.5318.005.013	BRACKET MOUNTING BOLTS - TITANIUM T25 17MM (2 PCS) - FLAT MOUNT CALIPER
3	00.5318.005.014	BRACKET MOUNTING BOLTS - STAINLESS T25 22MM (2 PCS) - FLAT MOUNT CALIPER
3	00.5318.005.015	BRACKET MOUNTING BOLTS - TITANIUM T25 22MM (2 PCS) - FLAT MOUNT CALIPER



MATCHMAKER / HYDRAULIC LINES / BRAKE PADS



MATCHMAKER / MATCHMAKER X

NO.	PART NUMBER	DESCRIPTION
1	00.5315.006.000	MATCHMAKER PAIR
2	00.5315.018.030	MATCHMAKER X, PAIR, BLACK (COMPATIBLE WITH ALL SRAM MM-COMPATIBLE SHIFTERS)- GUIDE, LEVEL, DB5 ELIXIR 9/7/CR MAG/X0/ XX/G2
3	00.5315.018.040	MATCHMAKER X, SINGLE LEFT, BLACK (COMPATIBLE WITH ALL SRAM MM-COMPATIBLE SHIFTERS)- GUIDE, LEVEL, DB5 ELIXIR 9/7/CR MAG/X0/ XX/G2
3	00.5315.018.050	MATCHMAKER X, SINGLE RIGHT, BLACK (COMPATIBLE WITH ALL SRAMMM-COMPATIBLE SHIFTERS)- GUIDE, LEVEL, DB5 ELIXIR 9/7/CR MAG/X0/ XX/G2
4	11.5315.048.050	DISC BRAKE LEVER CLAMP - (MMX) SILVER (STAINLESS STEEL BOLTT25) - G2 (A1), GUIDE (A1-B1), LEVEL ULT/TLM/TL, CODE RSC/R, DB5 ELIXIR 9/7/CR MAG/X0/ XX, QTY 1
4	11.5315.048.070	DISC BRAKE LEVER CLAMP - (MMX) BLACK (STAINLESS STEEL BOLT T25) - G2 (A1), GUIDE (A1-B1), LEVEL ULT/TLM/TL, CODE RSC/R, DB5 ELIXIR 9/7/CR MAG/X0/ XX, QTY 1
4	11.5315.048.080	DISC BRAKE LEVER CLAMP - (MMX) BLACK (TI BOLT T25) - G2 (A1), GUIDE (A1-B1), LEVEL ULT/TLM/TL, CODE RSC/R, DB5 ELIXIR 9/7/CR MAG/X0/ XX, QTY 1
5	11.5315.049.010	DISC BRAKE LEVER CLAMP SHIFTER MOUNTING BRACKET - (MMX) LEFT -GUIDE ULT/RSC/RS/RE/R, LEVEL ULT/TLM/TL, CODE RSC/R, DB5 ELIXIR 9/7/CR MAG/X0/ XX, QTY 1
5	11.5315.049.020	DISC BRAKE LEVER CLAMP SHIFTER MOUNTING BRACKET - (MMX) RIGHT -GUIDE ULT/RSC/RS/RE/R, LEVEL ULT/TLM/TL, CODE RSC/R, DB5 ELIXIR 9/7/CR MAG/X0/ XX, QTY 1

HYDRAULIC LINES & FITTING

NO.	PART NUMBER	DESCRIPTION
ns	00.5016.168.030	HYDRAULIC LINE KIT - XX, JUICY ULTIMATE, JUICY 7, JUICY 5, 2000MM, ALUMINUM BANJO, BLACK, QTY 1
ns	00.5016.168.050	HYDRAULIC LINE KIT - ELIXIR 5, ELIXIR 7, ELIXIR 9, ELIXIR R, ELIXIR CR, ELIXIR X0, ELIXIR CR MAG, 2000MM, STAINLESS, BLACK, QTY 1
ns	00.5016.168.060	HYDRAULIC LINE KIT - ELIXIR 5, ELIXIR 7, ELIXIR 9, ELIXIR R, ELIXIR CR, ELIXIR X0, ELIXIR CR MAG, 2000MM, STAINLESS, WHITE, QTY 1
ns	11.5378.803.004	DISC BRAKE HOSE FITTING KIT - (INCLUDES 1 THREADED HOSE BARB, 1 RED COMP FITTING) - AVID & SRAM BRAKES
ns	11.5378.803.002	DISC BRAKE HOSE FITTING KIT - (INCLUDES 5 THREADED HOSE BARBS, 5 RED COMP FITTINGS, 1 T8 TORX) - AVID & SRAM BRAKES
ns	11.5378.803.003	DISC BRAKE HOSE FITTING KIT - (INCLUDES 50 THREADED HOSE BARBS, 50 RED COMP FITTINGS, 1 T8TORX) - AVID & SRAM BRAKES



BLEED KITS / TOOLS / BRAKE FLUID / GREASE

BLEED KITS & FITTINGS

PART NUMBER	DESCRIPTION
00.5318.016.000	STANDARD BRAKE BLEED KIT (INCLUDES 2 SYRINGES/FITTINGS, BLEED BLOCKS, TORX TOOL, CROWFOOT, BLEEDING EDGE FITTING, DOT5.1 HYDRAULIC FLUID) - SRAM X0/ XX/ GUIDE/LEVEL/CODE/HYDROR/G2
00.5318.016.001	STANDARD BRAKE BLEED KIT (INCLUDES 2 SYRINGES/FITTINGS, BLEED BLOCKS, TORX TOOL, CROWFOOT, BLEEDING EDGE FITTING) - SRAM X0/ XX/ GUIDE/LEVEL/CODE/HYDROR/G2
00.5318.016.002	PRO BRAKE BLEED KIT (INCLUDES 2 SYRINGES/FITTINGS, BLEED BLOCKS, TORX TOOL, CROWFOOT, BLEEDING EDGE FITTING, DOT 5.1HY DRAULIC FLUID) - SRAM X0/ XX/ GUIDE/LEVEL/CODE/HYDROR/G2
00.5318.016.003	PRO BRAKE BLEED KIT (INCLUDES 2 SYRINGES/FITTINGS, BLEED BLOCKS, TORX TOOL, CROWFOOT, BLEEDING EDGE FITTING) - SRAM X0/ XX/ GUIDE/LEVEL/CODE/HYDROR/G2
00.5318.015.001	SRAM TOOL BLEEDING EDGE (WORKS WITH AVID/SRAM PRO BLEED KITS) -S4/MONOBLOCK CALIPERS, GUIDE ULTIMATE/RSC/RS/R (B1)/T (A1)/LEVEL ULT/ TLM (A1)/G2
11.5315.053.040	DISC BRAKE BLEED KIT - O-RING KIT (INCLUDES QTY 10 - FITTING O-RING2 , COUPLING O-RINGS & BLEEDING EDGE O-RINGS) - PRO BLEED SYRINGE
11.5378.804.000	DISC BRAKE BLEED KIT - HOSE KIT (INCLUDES 2 HOSES, 4 FITTING O-RINGS & 2 COUPLING O-RINGS) - PRO BLEED SYRINGEE
00.5315.017.000	AVID DISC BRAKE BLEED KIT (DOT 5.1)
00.5315.025.010	AVID PROFESSIONAL BLEED KIT (DOT 5.1)
00.5315.033.010	AVID BLEED KIT STANDARD (DOT FLUID NOT INCLUDED)
00.5315.033.020	AVID PROFESSIONAL BLEED KIT (DOT FLUID NOT INCLUDED)

BLEED BLOCKS & PAD SPREADER TOOLS

PART NUMBER	DESCRIPTION
11.5015.014.030	DISC BRAKE BLEED BLOCK - ELIXIR/DB
11.5015.014.050	DISC BRAKE BLEED BLOCK - GUIDE/TRAIL
11.5315.046.020	PAD SPREADER TOOL - ELIXIR/DB CALIPER QTY 2
11.5315.046.040	PAD SPREADER TOOL - GUIDE/TRAIL/CODE CALIPER QTY 2
11.5015.014.040	DISC BRAKE BLEED BLOCK - CODE 2011
11.5015.014.060	DISC BRAKE BLEED BLOCK - HYDRAULIC ROAD DISC
11.5015.014.070	DISC BRAKE BLEED BLOCK - S4 CALIPERS - GUIDE ULTIMATE/RSC B1/RS B1/R B1
11.5015.014.080	DISC BRAKE BLEED BLOCK - MONOBLOCK - LEVEL ULTIMATE/TLM/ ETAP HRD

TOOLS

PART NUMBER	DESCRIPTION
00.5315.028.010	HYDRAULIC HOSE CUTTER TOOL, HAND-HELD - AVID
00.5318.015.001	SRAM TOOL BLEEDING EDGE (WORKS WITH AVID/SRAM PRO BLEED KITS) -S4/MONOBLOCK CALIPERS, GUIDE ULTIMATE/RSC/RS/R (B1)/T (A1)/LEVEL ULT/ TLM (A1)/G2
00.5318.015.002	SRAM TOOL LEVER PIVOT TOOL (FOR LEVER REMOVAL & LEVER SERVICE) - LEVEL TLM/TL
00.5318.026.000	SRAM CALIPER 21MM PISTON REMOVAL TOOL (INCLUDES PLUG & REMOVAL BLOCK) - LEVEL ULTIMATE/TLM/ ETAP HRD
11.5315.050.010	ELIXIR LEVER PIVOT BEARING PRESS TOOL (REQUIRED FOR 2010 ELIXIR CR MAG AND XX)
11.5364.102.000	ROTOR TORX WRENCH (T25, T10)
00.5318.013.001	PRO HYDRAULIC HOSE CUTTER TOOL, HAND-HELD - AVID
00.5315.028.030	SRAM HYDRAULIC HOSE BARB DRIVER TOOL (FOR NON-THREADED BARBSONLY)
00.5318.013.002	HYDRAULIC HOSE CUTTER TOOL, HAND-HELD - SRAM
00.5318.013.003	PRO HYDRAULIC HOSE CUTTER TOOL, HAND-HELD - SRAM
00.5318.015.000	LEVER INTERNALS ASSEMBLY TOOL (FOR SETTING PUSHROD DISTANCE AND INSTALLING INTERNALS) - GUIDE ULTIMATE/GUIDE RSC/CODE RSC
00.5318.015.001	SRAM TOOL BLEEDING EDGE (WORKS WITH AVID/SRAM PRO BLEED KITS) -S4/MONOBLOCK CALIPERS, GUIDE ULTIMATE/RSC/RS/R (B1)/T (A1)/LEVEL ULT/ TLM (A1)/G2

GREASE & FLUIDS

PART NUMBER	DESCRIPTION
00.5318.017.000	DOT 5.1 HYDRAULIC BRAKE FLUID 4OZ(120ML) - SRAM
11.5315.045.000	GREASE SRAM DOT ASSEMBLY GREASE 1OZ - RECOMMENDED FOR LEVERPISTONS, HOSE COMPRESSION NUTS, THREADED BARBS & OLIVES



TACKLEBOX/ BULK KITS

TACKLEBOX

PART NUMBER	DESCRIPTION
11.5018.035.000	DISC BRAKE TACKLE BOX - GUIDE BRAKES*

* This box contains the items and quantities as listed below

BULK KITS

PART NUMBER	DESCRIPTION
11.5309.766.000	DISC BRAKE COMPRESSION HOSE NUT - (QTY 5)
11.5215.019.000	DISC BRAKE LEVER RESERVOIR BLEED SCREW/O-RING - STAINLESS (QTY 20)
11.5018.036.012	DISC BRAKE CALIPER PISTON SEALS - (10 SETS) - TRAIL, GUIDE R/RS/RSC
11.5015.069.410	DISC BRAKE PAD H-SPRING - (QTY 20) - XO TRAIL, GUIDE S4/ULT, G2 R/RS/RSC/ULT
11.5015.069.330	ROTOR BOLTS T25 STEEL (QTY 24)
11.5018.036.019	DISC BRAKE LEVER PISTON KIT - (INCLUDES RETURN SPRING) VERSION 2 (QTY 6) - GUIDE R/RS, G2 R/RS
11.5018.036.020	DISC BRAKE LEVER PISTON KIT - (INCLUDES RETURN SPRING) VERSION 2 (QTY 6) - GUIDE RSC/ULTIMATE, G2 ULT (A1)
11.5018.037.000	DISC BRAKE PADS - ORGANIC/STEEL (20 SETS) SRAM HYDRAULIC ROAD DISC, LEVEL ULTIMATE/TLM
11.5018.037.001	DISC BRAKE PADS - ORGANIC/ALUMINUM (20 SETS) - SRAM HYDRAULIC ROAD DISC, LEVEL ULTIMATE/TLM
11.5018.037.002	DISC BRAKE PADS - SINTERED/STEEL (20 SETS) - HRD
11.5015.040.030	DISC BRAKE PADS - SINTERED/STEEL (20 SETS) - GUIDE/TRAIL
11.5015.040.060	DISC BRAKE PADS - ORGANIC/STEEL (20 SETS) - GUIDE/TRAIL
11.5015.040.070	DISC BRAKE PADS - ORGANIC/ALUMINUM (20 SETS) - GUIDE/TRAIL
00.5318.015.001	SRAM TOOL BLEEDING EDGE (WORKS WITH AVID/SRAM PRO BLEED KITS) -S4/MONOBLOCK CALIPERS, GUIDE ULTIMATE/RSC/RS/R (B1)/T (A1)/LEVEL ULT/ TLM (A1)/G2
11.5364.102.000	ROTOR TORX WRENCH (T25, T10)
00.5318.015.000	LEVER INTERNALS ASSEMBLY TOOL (FOR SETTING PUSHROD DISTANCE AND INSTALLING INTERNALS) - GUIDE ULTIMATE/GUIDE RSC/CODE RSC



COPYRIGHT

This publication includes trademarks and registered trademarks of SRAM LLC designated by the symbols ™ and ®, respectively.

Copyright © 2020 SRAM LLC



WORLD HEADQUARTERS

SRAM, LLC

1000 West Fulton Market
4th Floor
Chicago, Illinois 60607 USA
Dealers: +1-800-346-2928
Tel: +1-312-664-8800
Fax: +1-312-664-8826

EUROPEAN HEADQUARTERS

SRAM EUROPE SALES & SERVICES BV

Paasbosweg 14-16
3862ZS Nijkerk
The Netherlands
Tel: +31-33-4506060
Fax: +31-33-4570200

ASIAN HEADQUARTERS

SRAM TAIWAN

No. 1598-8 Chung Shan Road
Shen Kang Hsiang, Taichung
County 429
Taiwan R.O.C.
Tel: +886-4-2521-3688
Fax: +886-4-2561-3686